

**CONTINENTAL**  
  
**HYDRAULICS.**

# Catalog NFPA/JIC Style Hydraulic Power Units







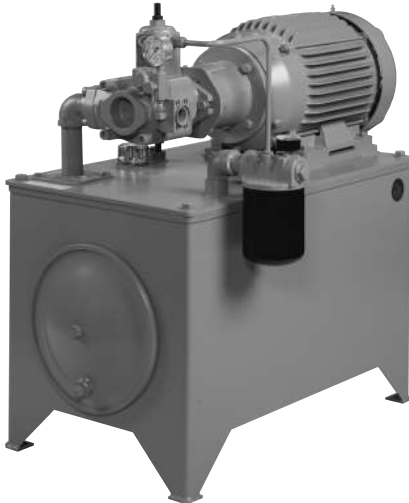
---

# NFPA/JIC Style Power Units

## 10 TO 210 GALLON CAPACITY

### Table of Contents

---



NFPA/JIC Style Power Units are especially designed for rugged, continuous use. They are ideal for industrial applications requiring flexibility in design and rugged construction.

Typical applications include use with:

- Pressing and Clamping Circuits
- Machine Tools and Machining Centers
- Conveyor Systems
- Machine Feeder Systems
- Industrial Trash Compactors and Balers

Make the NFPA/JIC Style Power Unit your choice for your most demanding industrial applications.

### Table of Contents

Features .....	4
Typical Schematic and Codes .....	5
10 Gallon Capacity Power Unit .....	6-7
20 Gallon Capacity Power Units .....	8-13
35/50 Gallon Capacity Power Units .....	14-31
50 Gallon Capacity Power Unit .....	32-33
70 Gallon Capacity Power Units .....	34-45
90 Gallon Capacity Power Units .....	46-57
130/160 Gallon Capacity Power Units .....	58-65
210 Gallon Capacity Power Units .....	66-73
Ordering Code Information .....	74-75

# NFPA/JIC Style Power Units

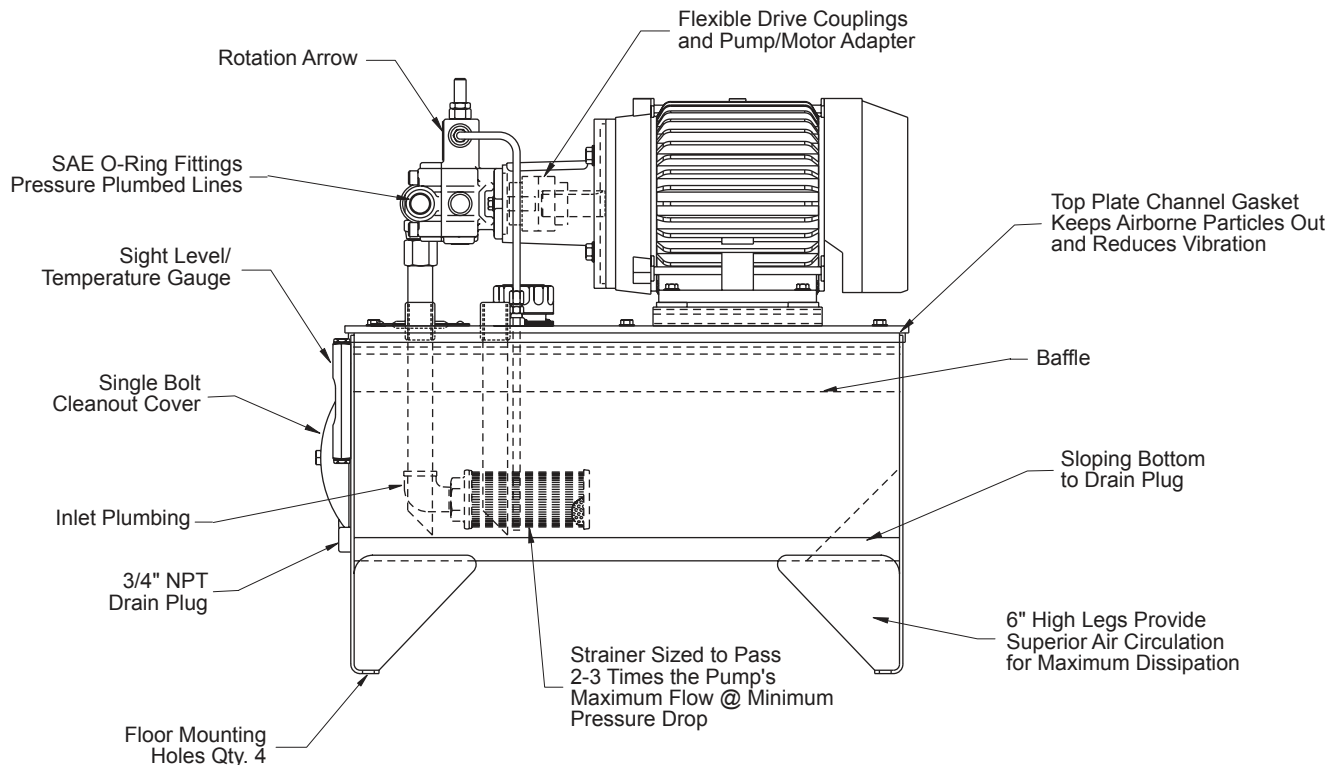
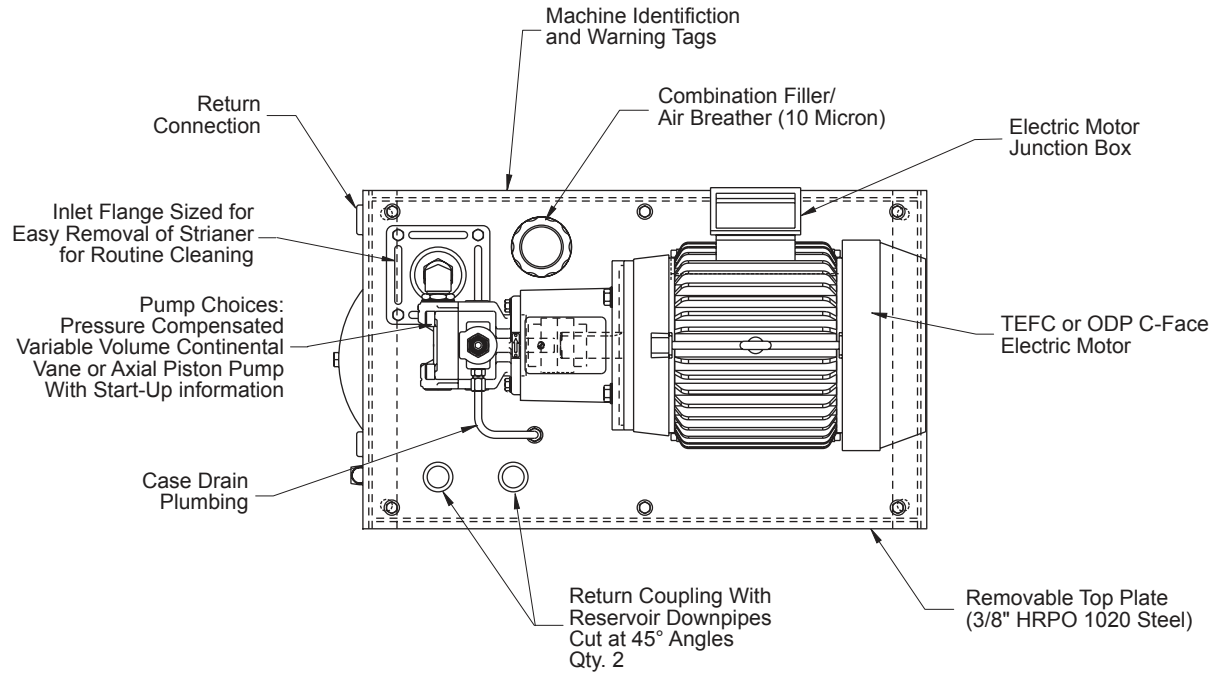
10 TO 210 GALLON CAPACITY

## Features

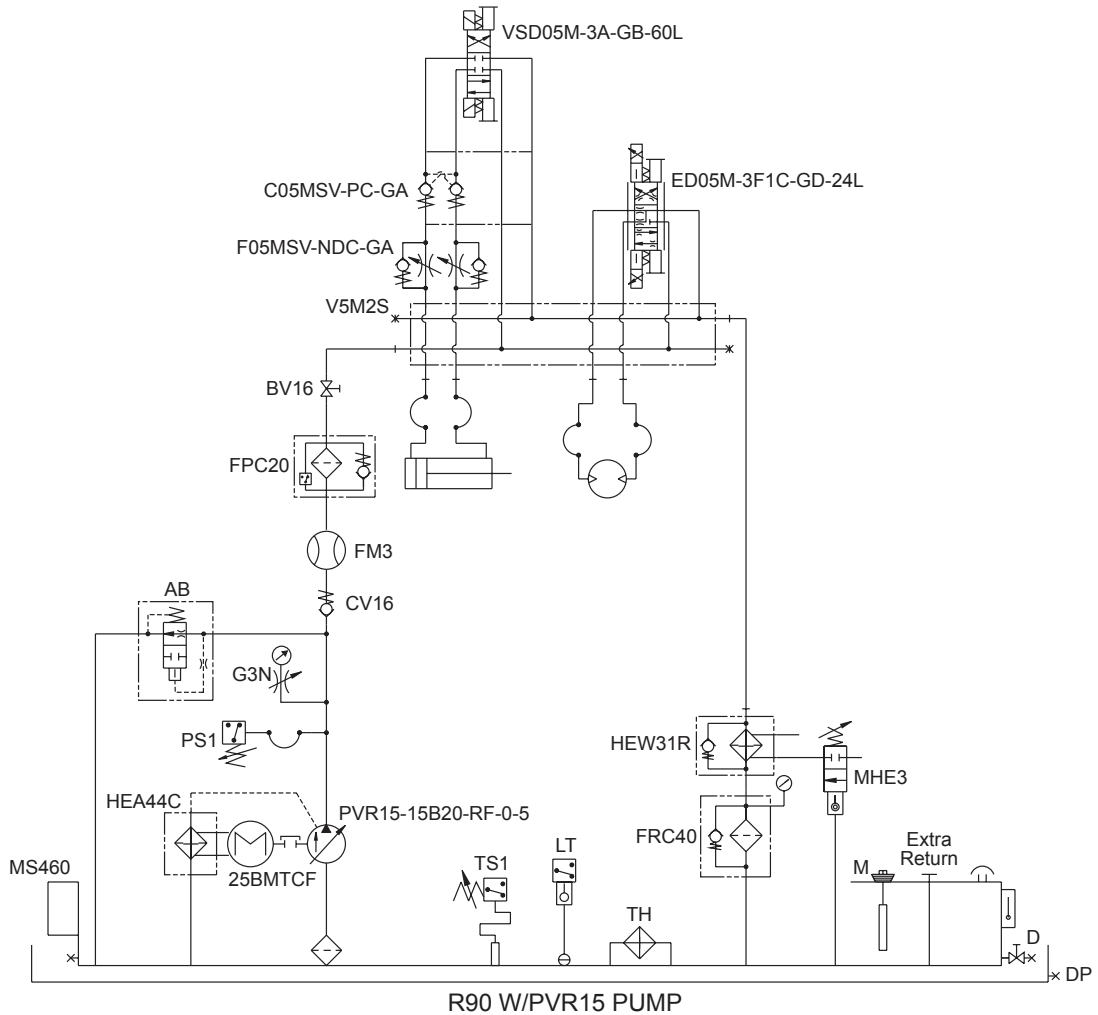
CONTINENTAL



HYDRAULICS



**NFPA/JIC Style Power Units**  
 10 TO 210 GALLON CAPACITY  
 Typical Schematic and Codes



**Schematic Code Descriptions**

Model Code	Description	Model Code	Description
R90	90 Gallon Reservoir	FM3	Flow Meter, SAE-20 Ports, 10 - 75 gpm (37.8 - 283.9 lpm)
DP	Drip Pan (Optional)	LT	Level/Temperature Switch
25BMTCF	Motor 25 H.P. (18.6 kW), 1800rpm, TEFC, 284TC	PS1	Pressure Switch, 200 - 3000 psi (14 - 207 bar) Adjustment
F	Installed Customer Motor	TS1	Temperature Switch, 30°F. - 250°F. (-1°C. - 121°C.) Adjustment
H1	Petroleum Based Oil	TH	Tank Heater 30°F. - 110°F. (-1°C. - 43°C.) Adjustment
G3	0 - 3000 psi (0 - 207 bar) Pressure Gauge	FRC40	Return Filter, 1-1/4 NPT Ports, 40 gpm (151.4 lpm), 10 Micron
N	Gauge Snubber/Shut-off Valve, SAE-4 Ports	FPC20	Pressure Filter, SAE-16 Ports, 20 gpm (75.7 lpm), 10 Micron
AB	Air Bleed Valve	HEA44C	Case Drain Cooler, SAE-8 Ports
D	Reservoir Drain Valve, 3/4 NPT	HEW31R	Water-to-Oil Heat Exchanger, SAE-24 Ports
M	Magnet	MHE3	Water Modulating Valve, 3/4 NPT Ports, 100°F. - 140°F. (38°C. - 60°C.) Adjustment
CV16	Check Valve, SAE-16 Ports, 7 psi (0.5 bar) Cracking	V5M2S	D05 2 Station Manifold, SAE-8 "A" and "B" Ports
BV16	High Pressure Ball Valve, SAE-16 Ports		
Model Code	Description		
PVR15-15B20-RF-0-5	Vane Pump, 15 gpm (56.8 lpm), 2000 psi (138 bar)		
VSD05M-3A-GB-60L	D05 Directional Control Valve		
C05MSV-PC-GA	D05 Modular Stack Cross-Port Check Valve		
F05MSV-NDC-GA	D05 Modular Stack Dual Flow Control Valve		
BD05-667	D05 Bolt Kit, 6.67" Long		
ED05M-3F1C-GD-24L	D05 Proportional Directional Control Valve		
BD05-175	D05 Bolt Kit, 1.75" Long		

# NFPA/JIC Style Power Units

10 GALLON CAPACITY

Dimension Drawing - With PVR6 Vane Pump

CONTINENTAL

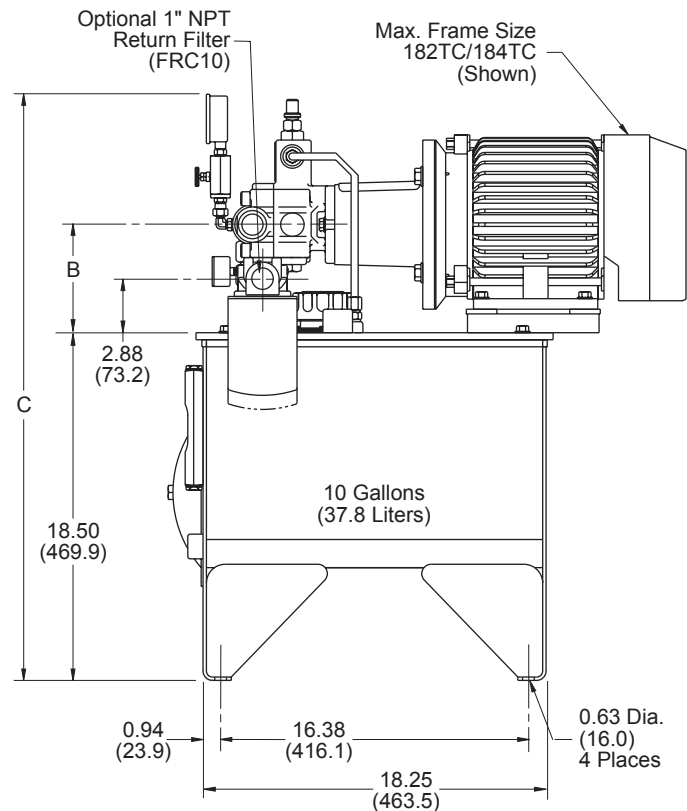
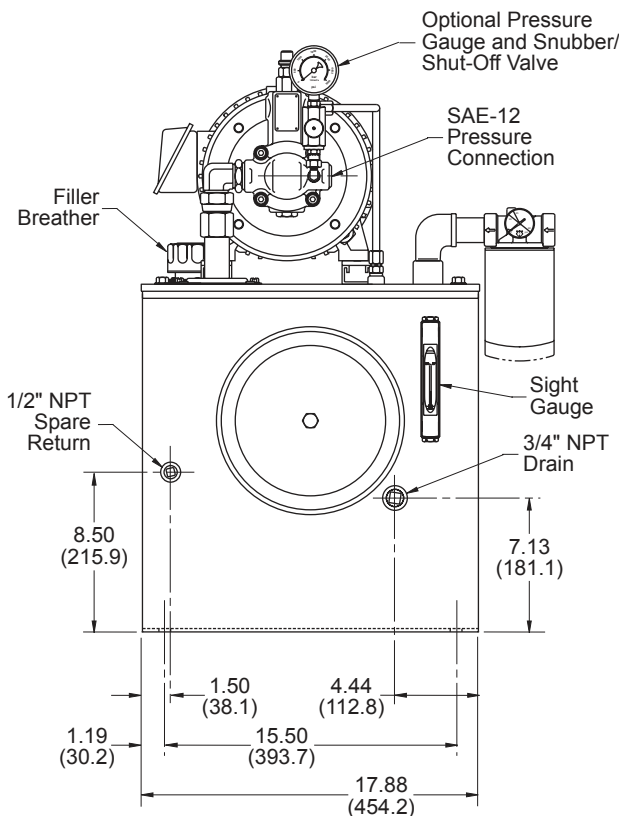
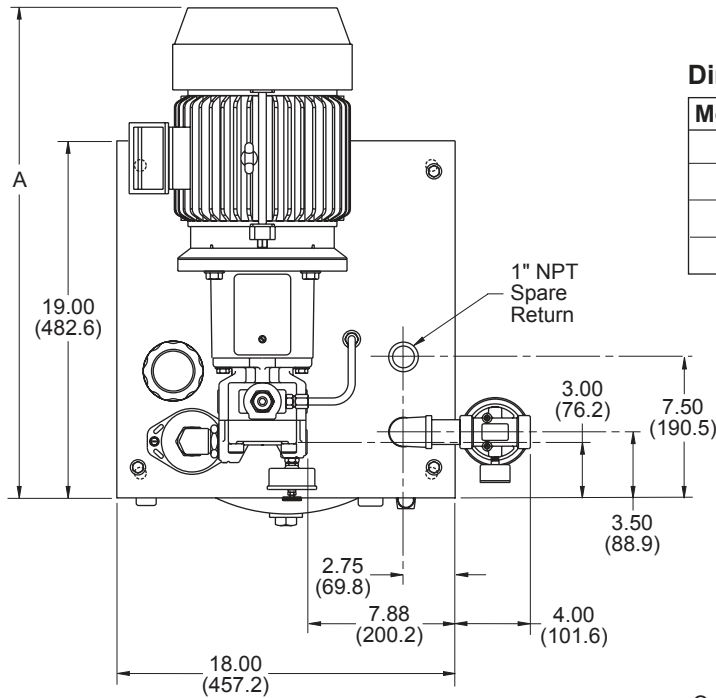


HYDRAULICS

Dimensions shown in: Inches (± .125)  
millimeters (± 1 mm)

### Dimensions

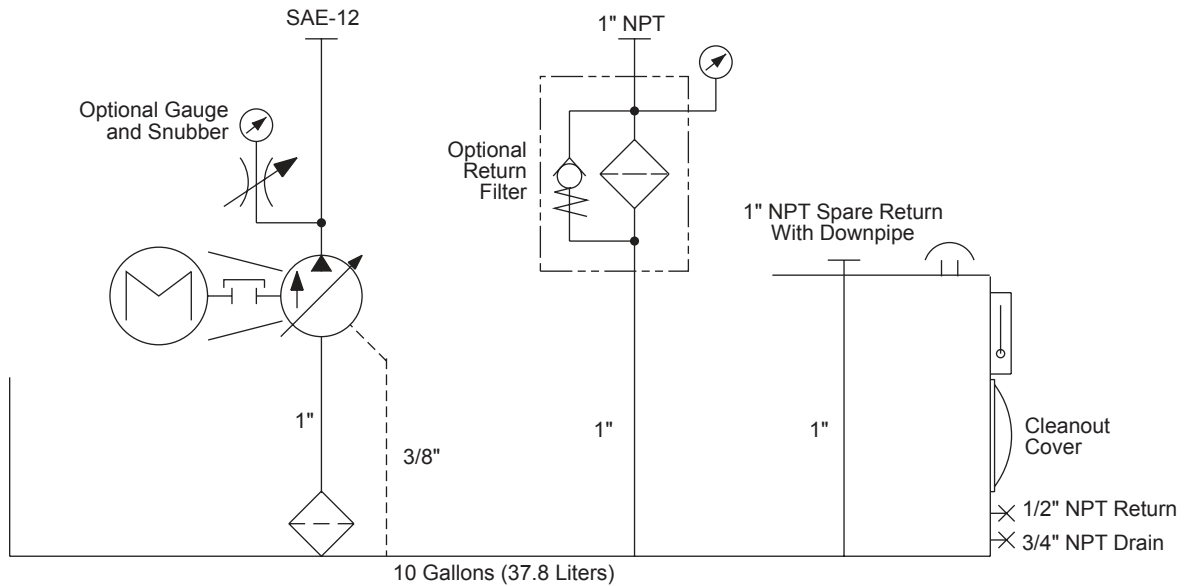
Motor Frame	A	B	C
143TC	21.92 (556.8)	4.75 (120.6)	30.25 (768.3)
145TC	21.92 (556.8)	4.75 (120.6)	30.25 (768.3)
182TC	24.06 (611.1)	5.75 (146.0)	31.25 (793.7)
184TC	25.06 (636.5)	5.75 (146.0)	31.25 (793.7)



# NFPA/JIC Style Power Units

10 GALLON CAPACITY

Schematic and Specifications - With PVR6 Vane Pump



GENERAL SPECIFICATIONS	R10
Reservoir Capacity	10 Gal. (37.8 liters)
Surface Area For Heat Transfer	6.11 sq. ft. (5676.2 cm <sup>2</sup> )
Heat Dissipation	Sq. Ft. of Vertical Steel x $\Delta T$ / 1000
Basic Weight (Less Oil, Pump, and Motor)	180 lbs. (81.7 kg)
Usable Gallons	3.69 Gal. (14.0 liters)
Gallons Per Inch Rise	1.32 Gal. (5.0 liters)
Capacity, Full to Top Plate	14.93 Gal. (56.5 liters)
Capacity, High on Sight Gauge	10.65 Gal. (40.3 liters)
Capacity, Low on Sight Gauge	6.70 Gal. (25.4 liters)
<b>Pump Data*</b>	
Flow Range	Up to 10 gpm (37.8 lpm)
Pressure Range	Up to 2000 psi (138 bar)
Power Range	Up to 5 HP (3.7 kW)

\* See Continental Hydraulics Vane Pump or Piston Pump Catalogs for complete codes and specifications.

# NFPA/JIC Style Power Units

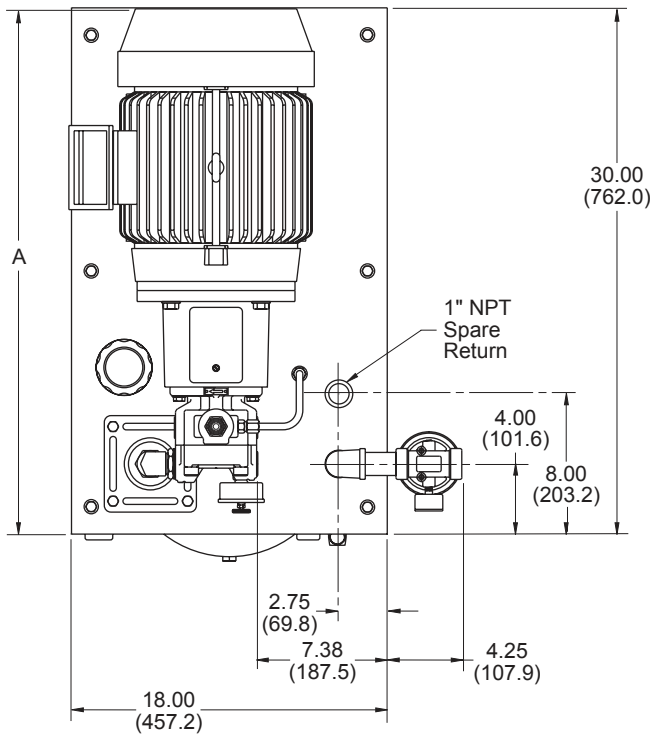
20 GALLON CAPACITY

Dimension Drawing - With PVR6 Vane Pump

CONTINENTAL



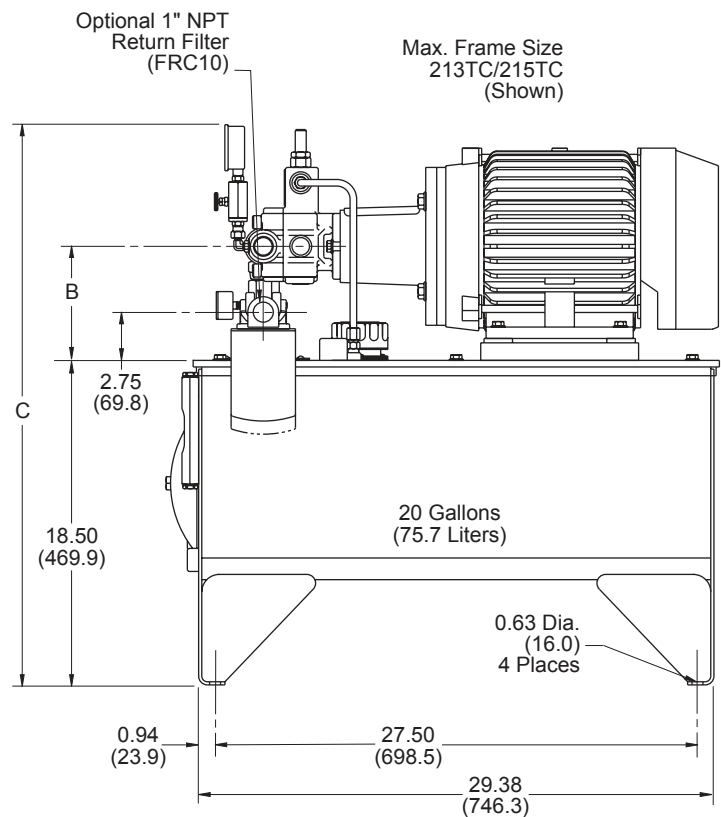
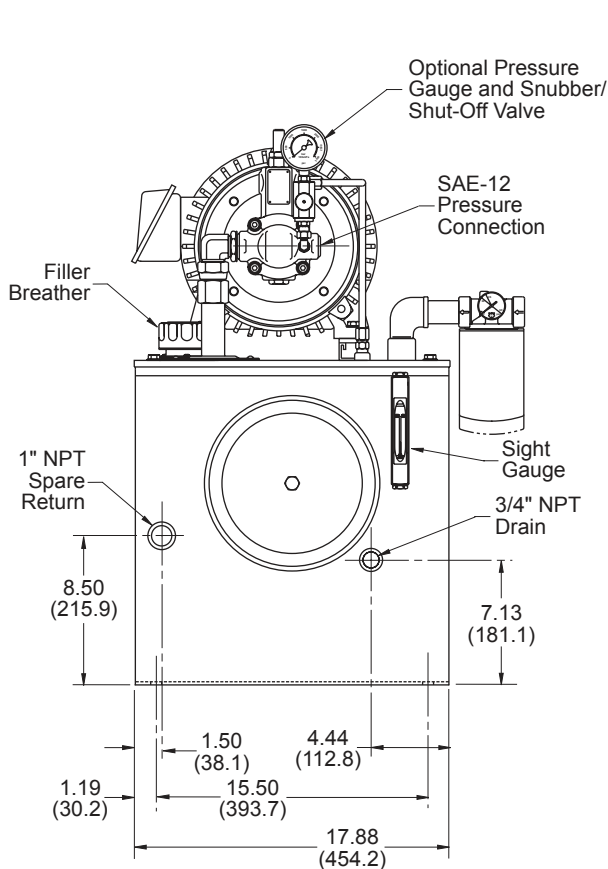
HYDRAULICS



Dimensions shown in: Inches ( $\pm .125$ )  
 (millimeters ( $\pm 1$  mm))

### Dimensions

Motor Frame	A	B	C
143TC	22.92 (582.2)	4.75 (120.6)	30.25 (768.3)
145TC	22.92 (582.2)	4.75 (120.6)	30.25 (768.3)
182TC	25.06 (636.5)	5.75 (146.0)	31.25 (793.7)
184TC	26.05 (661.7)	5.75 (146.0)	31.25 (793.7)
213TC	28.20 (716.3)	6.50 (165.1)	32.00 (812.8)
215TC	29.69 (754.1)	6.50 (165.1)	32.00 (812.8)

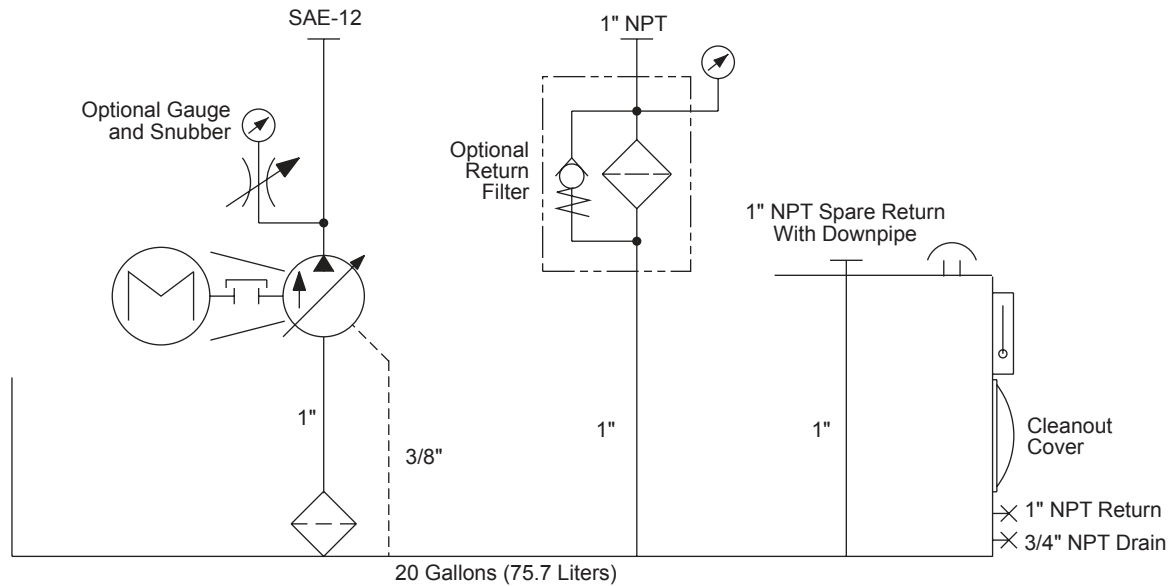




# NFPA/JIC Style Power Units

20 GALLON CAPACITY

Schematic and Specifications - With PVR6 Vane Pump



GENERAL SPECIFICATIONS	R20
Reservoir Capacity	20 Gal. (75.7 liters)
Surface Area For Heat Transfer	9.50 sq. ft. (8825.5 cm <sup>2</sup> )
Heat Dissipation	Sq. Ft. of Vertical Steel x $\Delta T / 1000$
Basic Weight (Less Oil, Pump, and Motor)	244 lbs. (110.7 kg)
Usable Gallons	7.40 Gal. (28.0 liters)
Gallons Per Inch Rise	2.13 Gal. (8.1 liters)
Capacity, Full to Top Plate	24.76 Gal. (93.7 liters)
Capacity, High on Sight Gauge	20.24 Gal. (76.6 liters)
Capacity, Low on Sight Gauge	12.84 Gal. (48.6 liters)
<b>Pump Data*</b>	
Flow Range	Up to 10 gpm (37.8 lpm)
Pressure Range	Up to 2000 psi (138 bar)
Power Range	Up to 10 HP (7.5 kW)

\* See Continental Hydraulics Vane Pump or Piston Pump Catalogs for complete codes and specifications.

# NFPA/JIC Style Power Units

20 GALLON CAPACITY

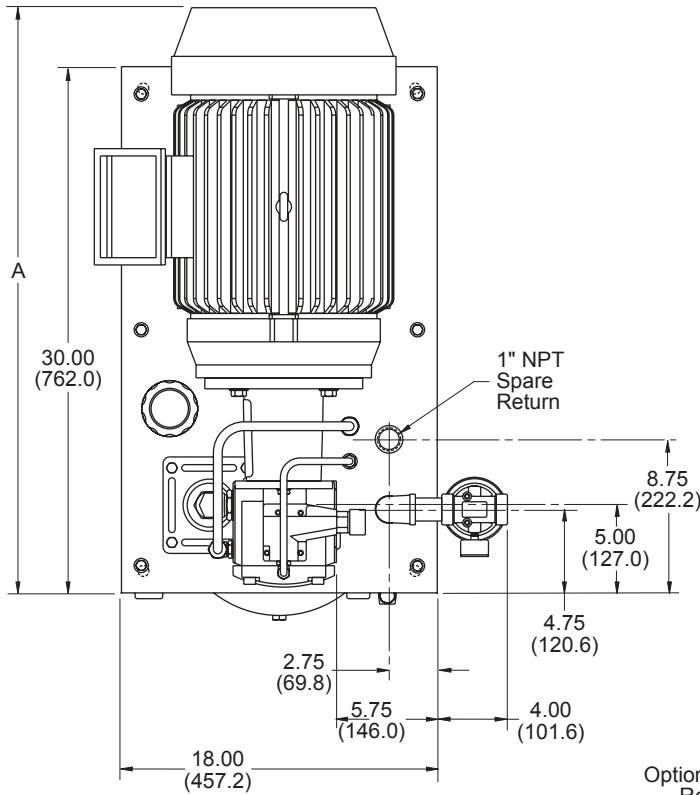
Dimension Drawing - With PVX8 Vane Pump

CONTINENTAL



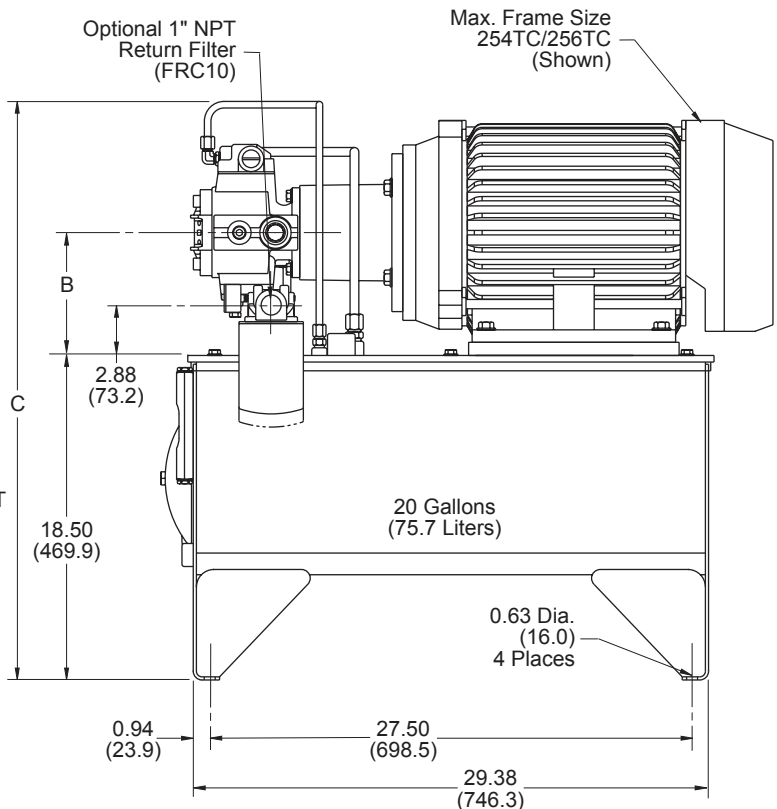
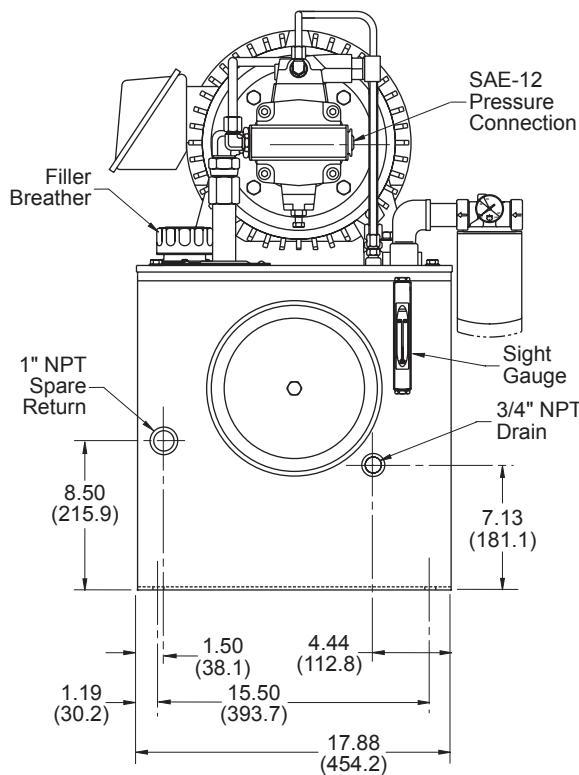
HYDRAULICS

Dimensions shown in: Inches (± .125)  
millimeters (± 1 mm)



### Dimensions

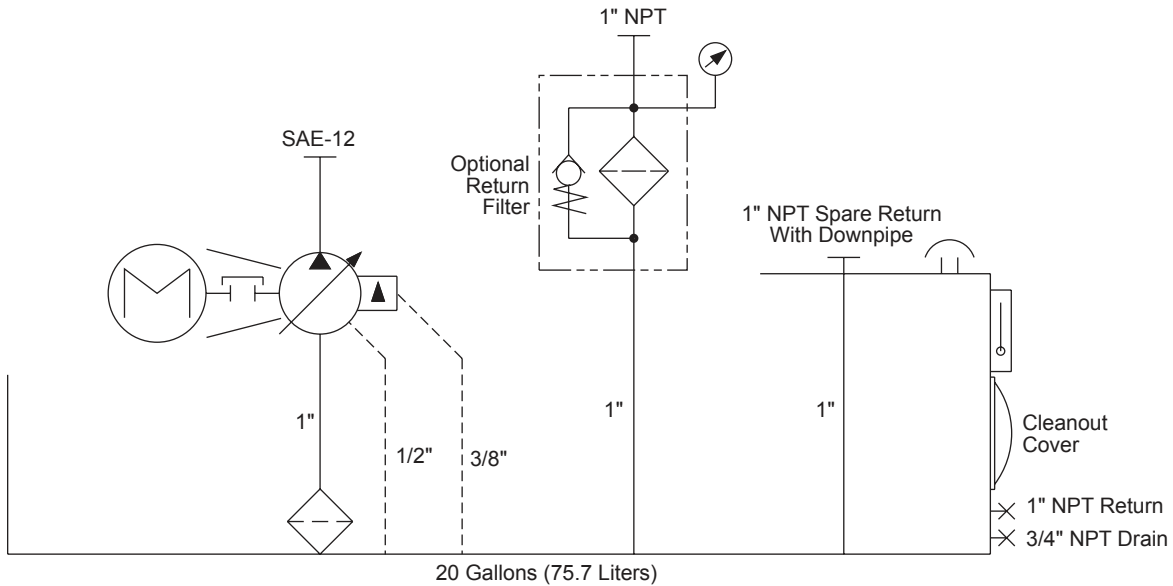
Motor Frame	A	B	C
182TC	23.06 (585.7)	5.75 (146.0)	32.38 (822.5)
184TC	24.05 (610.9)	5.75 (146.0)	32.38 (822.5)
213TC	26.20 (665.5)	6.50 (165.1)	33.13 (841.5)
215TC	27.69 (703.3)	6.50 (165.1)	33.13 (841.5)
254TC	31.66 (804.2)	7.00 (177.8)	33.63 (854.2)
256TC	33.36 (847.3)	7.00 (177.8)	33.63 (854.2)



# NFPA/JIC Style Power Units

20 GALLON CAPACITY

Schematic and Specifications - With PVX8 Vane Pump



GENERAL SPECIFICATIONS	R20
Reservoir Capacity	20 Gal. (75.7 liters)
Surface Area For Heat Transfer	9.50 sq. ft. (8825.5 cm <sup>2</sup> )
Heat Dissipation	Sq. Ft. of Vertical Steel x $\Delta T$ / 1000
Basic Weight (Less Oil, Pump, and Motor)	243 lbs. (110.2 kg)
Usable Gallons	7.40 Gal. (28.0 liters)
Gallons Per Inch Rise	2.13 Gal. (8.1 liters)
Capacity, Full to Top Plate	24.76 Gal. (93.7 liters)
Capacity, High on Sight Gauge	20.24 Gal. (76.6 liters)
Capacity, Low on Sight Gauge	12.84 Gal. (48.6 liters)
<b>Pump Data*</b>	
Flow Range	Up to 8 gpm (30.3 lpm)
Pressure Range	Up to 3000 psi (207 bar)
Power Range	Up to 20 HP (14.9 kW)

\* See Continental Hydraulics Vane Pump or Piston Pump Catalogs for complete codes and specifications.

# NFPA/JIC Style Power Units

20 GALLON CAPACITY

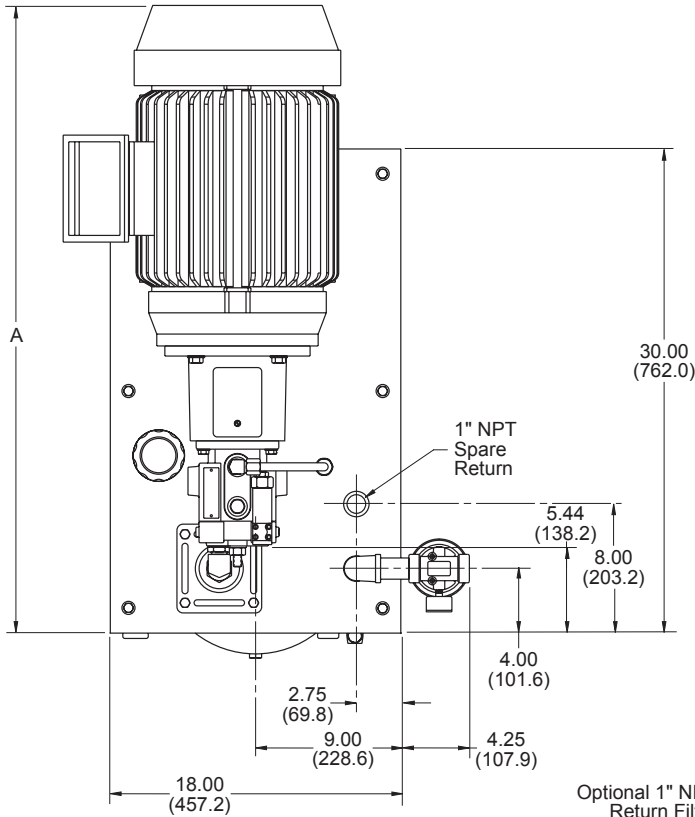
Dimension Drawing - With HPV6 Piston Pump

CONTINENTAL



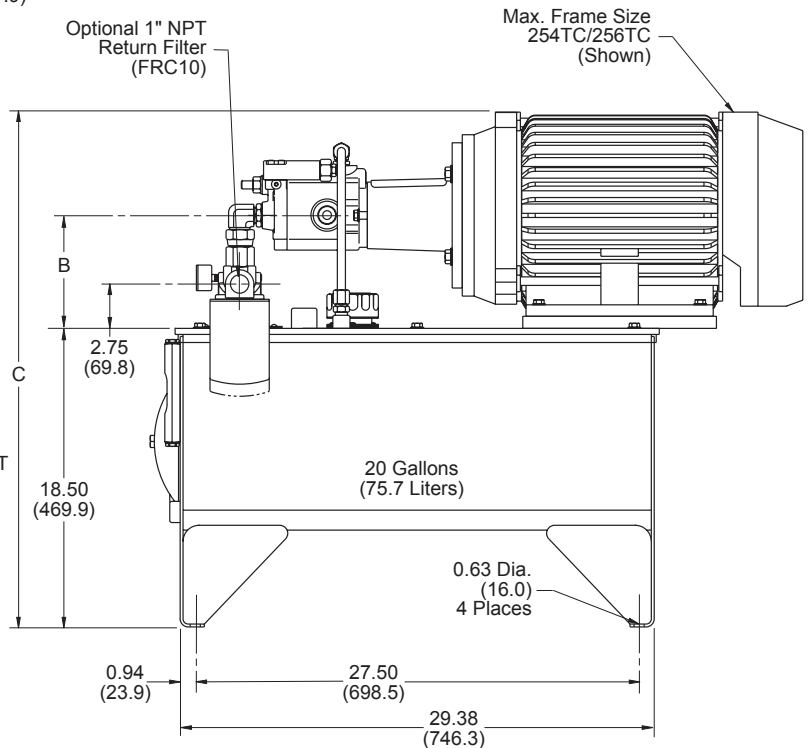
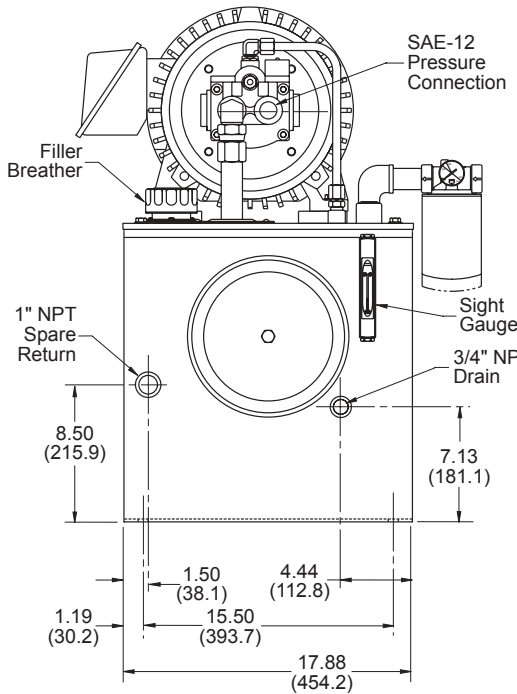
HYDRAULICS

Dimensions shown in: Inches (± .125)  
 (millimeters (± 1 mm))



### Dimensions

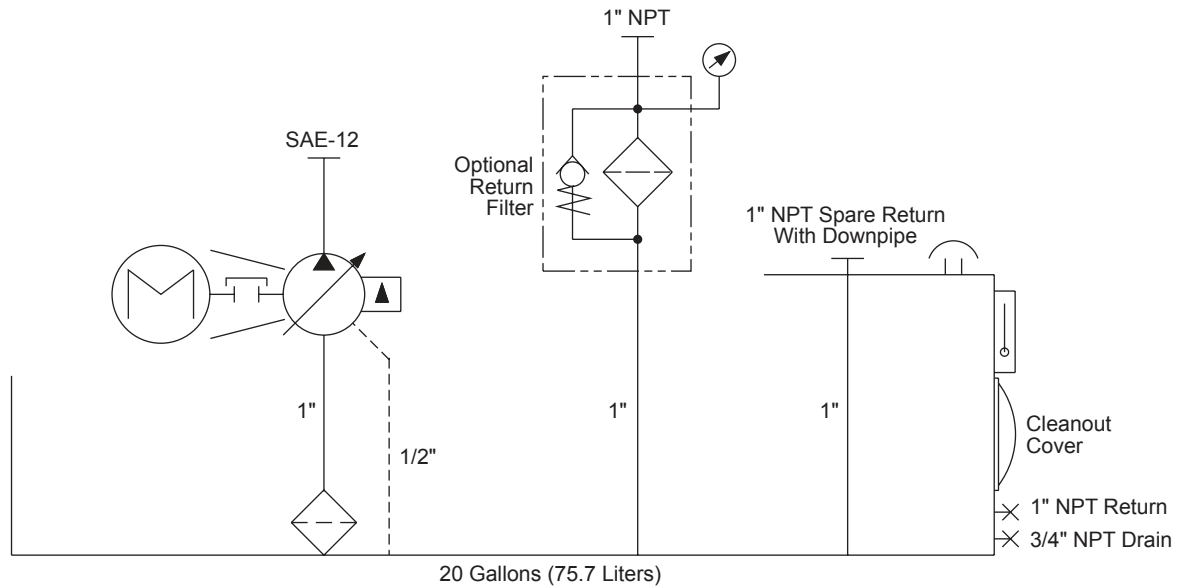
Motor Frame	A	B	C
182TC	29.04 (737.6)	5.75 (146.0)	29.19 (741.4)
184TC	30.03 (762.8)	5.75 (146.0)	29.19 (741.4)
213TC	32.18 (817.4)	6.50 (165.1)	30.63 (778.0)
215TC	33.67 (855.2)	6.50 (165.1)	30.63 (778.0)
254TC	37.64 (956.1)	7.00 (177.8)	32.13 (816.1)
256TC	39.64 (1006.9)	7.00 (177.8)	32.13 (816.1)



# NFPA/JIC Style Power Units

20 GALLON CAPACITY

Schematic and Specifications - With HPV6 Piston Pump



GENERAL SPECIFICATIONS	R20
Reservoir Capacity	20 Gal. (75.7 liters)
Surface Area For Heat Transfer	9.50 sq. ft. (8825.5 cm <sup>2</sup> )
Heat Dissipation	Sq. Ft. of Vertical Steel x $\Delta T / 1000$
Basic Weight (Less Oil, Pump, and Motor)	244 lbs. (110.7 kg)
Usable Gallons	7.40 Gal. (28.0 liters)
Gallons Per Inch Rise	2.13 Gal. (8.1 liters)
Capacity, Full to Top Plate	24.76 Gal. (93.7 liters)
Capacity, High on Sight Gauge	20.24 Gal. (76.6 liters)
Capacity, Low on Sight Gauge	12.84 Gal. (48.6 liters)
<b>Pump Data*</b>	
Flow Range	Up to 6 gpm (22.7 lpm)
Pressure Range	Up to 3500 psi (241 bar)
Power Range	Up to 20 HP (14.9 kW)

\* See Continental Hydraulics Vane Pump or Piston Pump Catalogs for complete codes and specifications.

# NFPA/JIC Style Power Units

35/50 GALLON CAPACITY

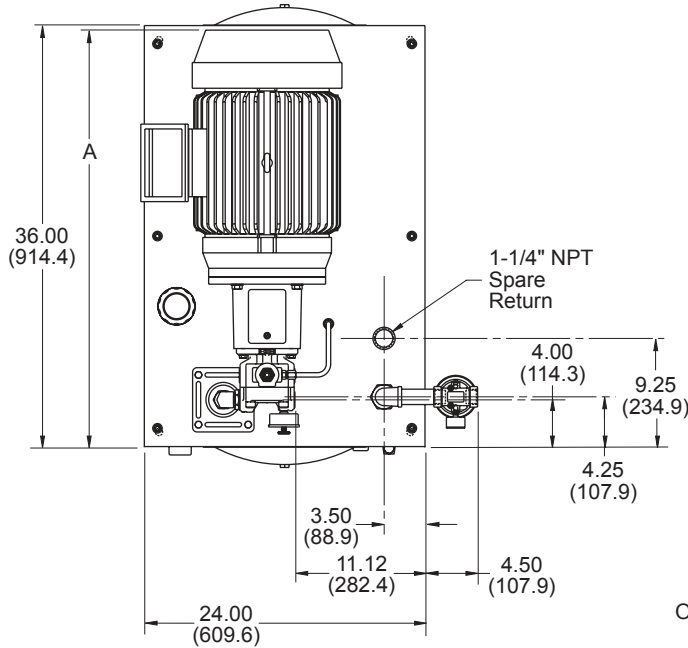
Dimension Drawing - With PVR6 Vane Pump

CONTINENTAL



HYDRAULICS

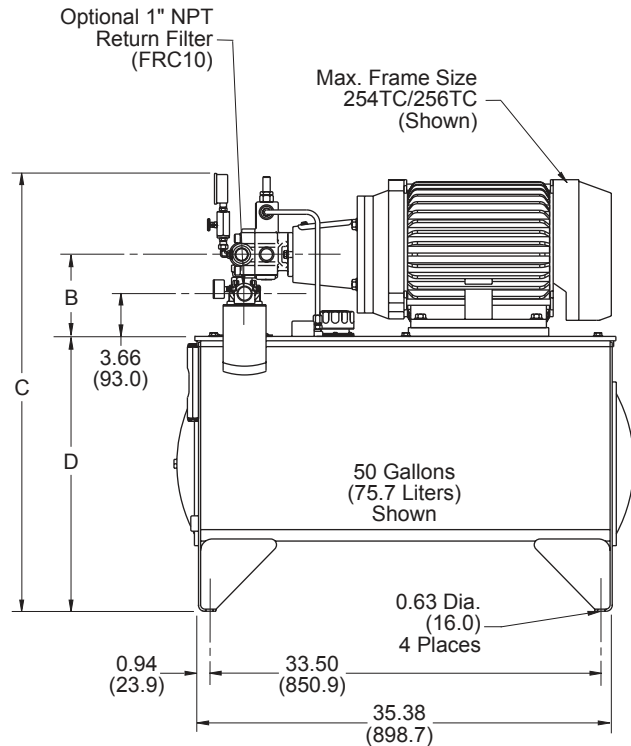
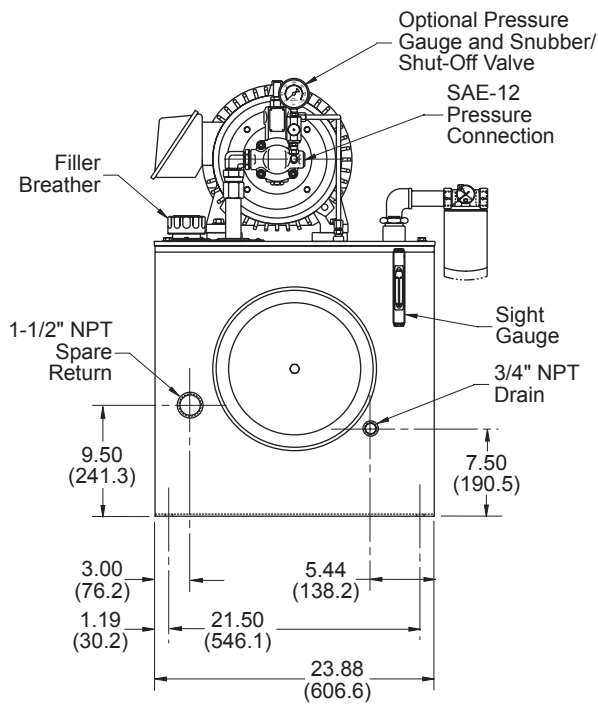
Dimensions shown in: Inches (± .125)  
 (millimeters (± 1 mm))



## Dimensions

Motor Frame	A	B	C	
			R35	R50
182TC	25.06 (636.5)	5.75 (146.0)	31.50 (800.1)	36.25 (920.7)
184TC	26.05 (661.7)	5.75 (146.0)	31.50 (800.1)	36.25 (920.7)
213TC	28.20 (716.3)	6.50 (165.1)	32.25 (819.1)	37.00 (939.8)
215TC	29.69 (754.1)	6.50 (165.1)	32.25 (819.1)	37.00 (939.8)
254TC	33.66 (855.0)	7.00 (177.8)	32.75 (831.8)	37.50 (952.5)
256TC	35.35 (897.9)	7.00 (177.8)	32.75 (831.8)	37.50 (952.5)

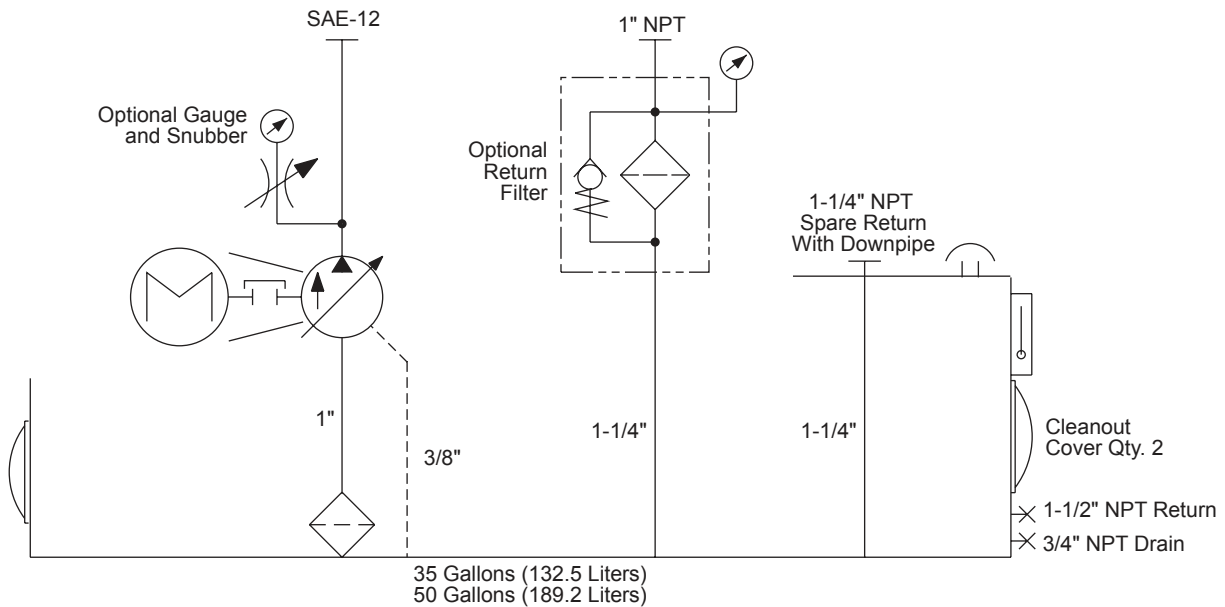
D	
R35	R50
18.75 (476.2)	23.50 (596.9)



# NFPA/JIC Style Power Units

35/50 GALLON CAPACITY

Schematic and Specifications - With PVR6 Vane Pump



GENERAL SPECIFICATIONS	R35	R50
Reservoir Capacity	35 Gal. (132.5 liters)	50 Gal. (189.2 liters)
Surface Area For Heat Transfer	13.44 sq. ft. (1.25 m <sup>2</sup> )	17.27 sq. ft. (1.60 m <sup>2</sup> )
Heat Dissipation	Sq. Ft. of Vertical Steel x ΔT / 1000	
Basic Weight (Less Oil, Pump, and Motor)	349 lbs. (158.3 kg)	386 lbs. (175.1 kg)
Usable Gallons	10.46 Gal. (39.6 liters)	23.31 Gal. (88.2 liters)
Gallons Per Inch Rise	3.49 Gal. (13.2 liters)	3.49 Gal. (13.2 liters)
Capacity, Full to Top Plate	40.65 Gal. (153.9 liters)	57.18 Gal. (216.4 liters)
Capacity, High on Sight Gauge	33.56 Gal. (127.0 liters)	50.21 Gal. (190.0 liters)
Capacity, Low on Sight Gauge	23.10 Gal. (87.4 liters)	39.75 Gal. (150.4 liters)
<b>Pump Data*</b>		
Flow Range	Up to 10 gpm (37.8 lpm)	Up to 10 gpm (37.8 lpm)
Pressure Range	Up to 2000 psi (138 bar)	Up to 2000 psi (138 bar)
Power Range	Up to 20 HP (14.9 kW)	Up to 20 HP (14.9 kW)

\* See Continental Hydraulics Vane Pump or Piston Pump Catalogs for complete codes and specifications.

# NFPA/JIC Style Power Units

35/50 GALLON CAPACITY

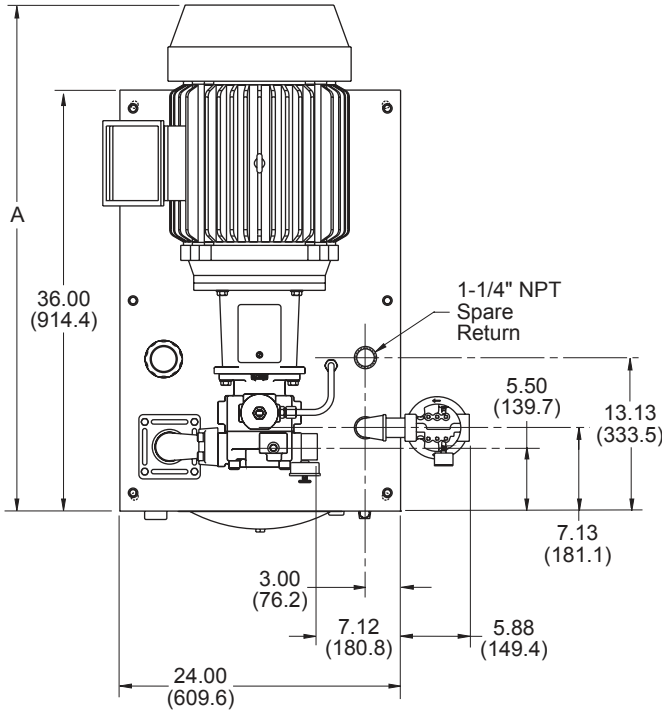
Dimension Drawing - With PVR15 Vane Pump

CONTINENTAL



HYDRAULICS

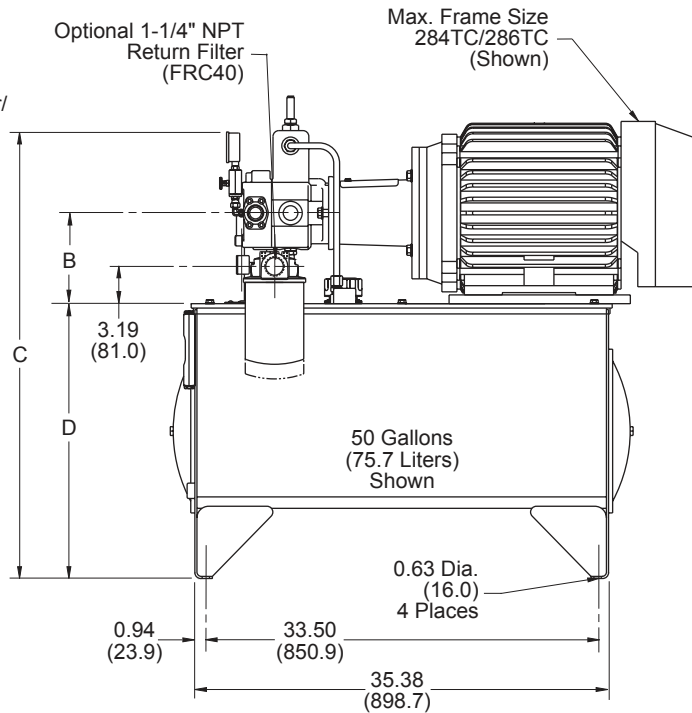
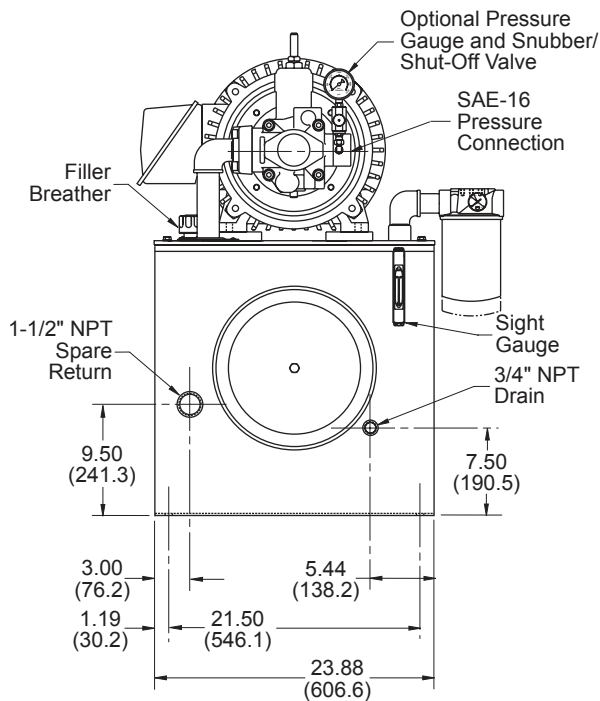
Dimensions shown in: Inches (± .125)  
millimeters (± 1 mm)



## Dimensions

Motor Frame	A	B	C	
			R35	R50
182TC	29.18 (741.2)	5.75 (146.0)	34.50 (876.3)	39.25 (996.9)
184TC	30.17 (766.3)	5.75 (146.0)	34.50 (876.3)	39.25 (996.9)
213TC	32.20 (817.9)	6.50 (165.1)	35.25 (895.3)	40.00 (1016.0)
215TC	33.69 (855.7)	6.50 (165.1)	35.25 (895.3)	40.00 (1016.0)
254TC	38.03 (966.0)	7.00 (177.8)	35.75 (908.0)	40.50 (1028.7)
256TC	39.73 (1009.1)	7.00 (177.8)	35.75 (908.0)	40.50 (1028.7)
284TC	41.53 (1054.9)	7.75 (196.8)	36.50 (927.1)	41.25 (1047.7)
286TC	43.03 (1093.0)	7.75 (196.8)	36.50 (927.1)	41.25 (1047.7)

D	
R35	R50
18.75 (476.2)	23.50 (596.9)

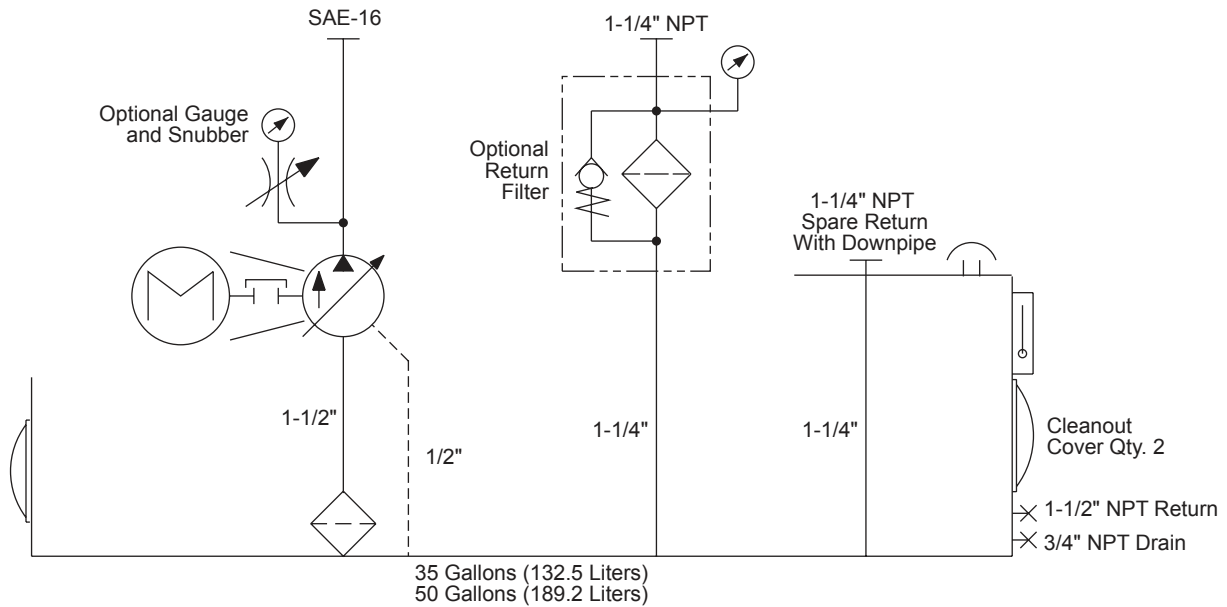




# NFPA/JIC Style Power Units

35/50 GALLON CAPACITY

Schematic and Specifications - With PVR15 Vane Pump



GENERAL SPECIFICATIONS	R35	R50
Reservoir Capacity	35 Gal. (132.5 liters)	50 Gal. (189.2 liters)
Surface Area For Heat Transfer	13.44 sq. ft. (1.25 m <sup>2</sup> )	17.27 sq. ft. (1.60 m <sup>2</sup> )
Heat Dissipation	Sq. Ft. of Vertical Steel x ΔT / 1000	
Basic Weight (Less Oil, Pump, and Motor)	360 lbs. (163.3 kg)	398 lbs. (180.5 kg)
Usable Gallons	7.90 Gal. (29.9 liters)	19.72 Gal. (74.6 liters)
Gallons Per Inch Rise	3.49 Gal. (13.2 liters)	3.49 Gal. (13.2 liters)
Capacity, Full to Top Plate	40.65 Gal. (153.9 liters)	57.18 Gal. (216.4 liters)
Capacity, High on Sight Gauge	33.56 Gal. (127.0 liters)	50.21 Gal. (190.0 liters)
Capacity, Low on Sight Gauge	23.10 Gal. (87.4 liters)	39.75 Gal. (150.4 liters)
<b>Pump Data*</b>		
Flow Range	Up to 30 gpm (113.5 lpm)	Up to 30 gpm (113.5 lpm)
Pressure Range	Up to 2000 psi (138 bar)	Up to 2000 psi (138 bar)
Power Range	Up to 30 HP (22.4 kW)	Up to 30 HP (22.4 kW)

\* See Continental Hydraulics Vane Pump or Piston Pump Catalogs for complete codes and specifications.

# NFPA/JIC Style Power Units

35/50 GALLON CAPACITY

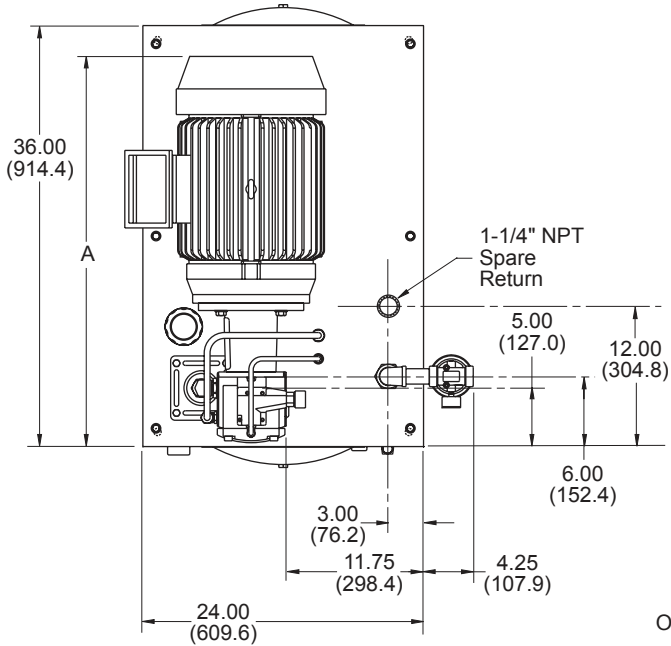
Dimension Drawing - With PVX8 Vane Pump

CONTINENTAL



HYDRAULICS

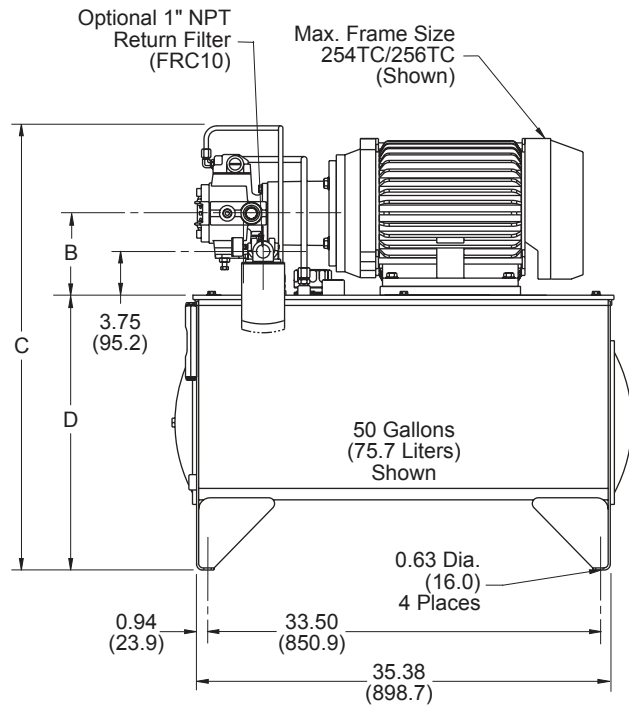
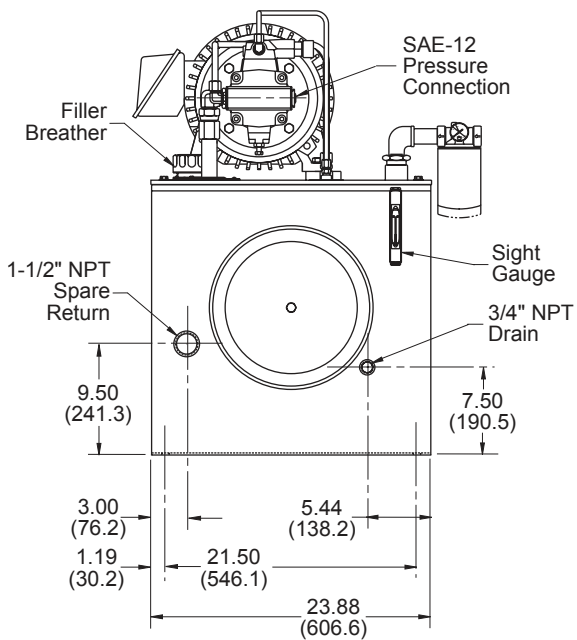
Dimensions shown in: Inches (± .125)  
 (millimeters (± 1 mm))



### Dimensions

Motor Frame	A	B	C	
			R35	R50
182TC	23.06 (585.7)	5.75 (146.0)	32.63 (828.2)	37.38 (949.5)
184TC	24.05 (610.9)	5.75 (146.0)	32.63 (828.2)	37.38 (949.5)
213TC	26.20 (665.5)	6.50 (165.1)	33.38 (847.9)	38.13 (968.5)
215TC	27.69 (703.3)	6.50 (165.1)	33.38 (847.9)	38.13 (968.5)
254TC	31.66 (804.2)	7.00 (177.8)	33.88 (860.6)	38.63 (981.2)
256TC	33.36 (847.3)	7.00 (177.8)	33.88 (860.6)	38.63 (981.2)

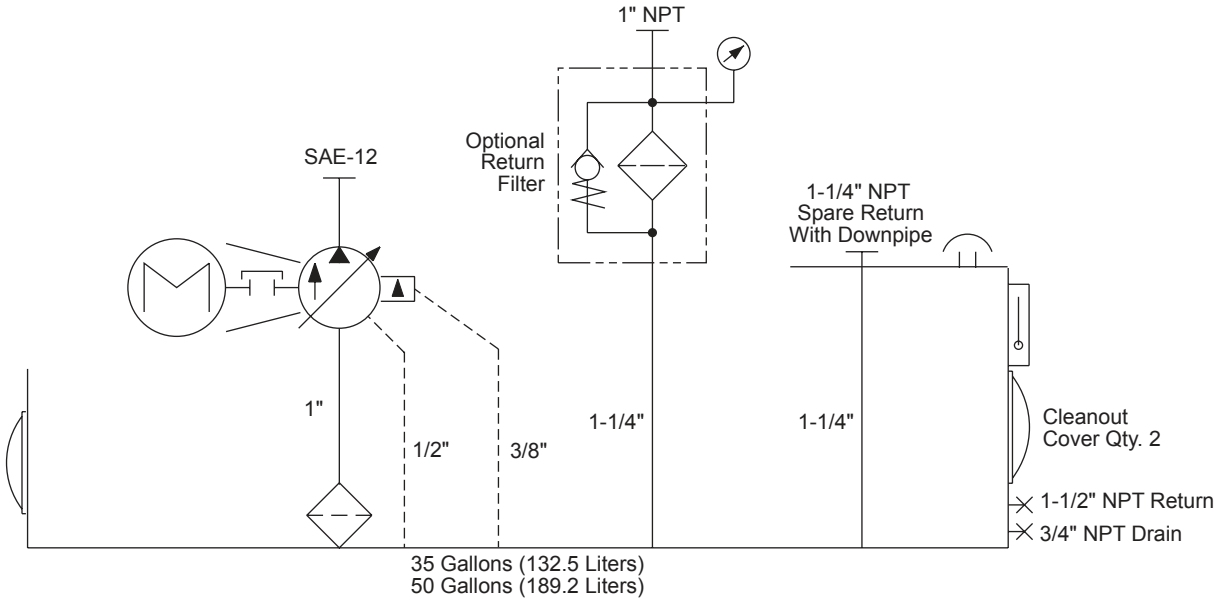
D	
R35	R50
18.75 (476.2)	23.50 (596.9)



# NFPA/JIC Style Power Units

35/50 GALLON CAPACITY

Schematic and Specifications - With PVX8 Vane Pump



GENERAL SPECIFICATIONS	R35	R50
Reservoir Capacity	35 Gal. (132.5 liters)	50 Gal. (189.2 liters)
Surface Area For Heat Transfer	13.44 sq. ft. (1.25 m <sup>2</sup> )	17.27 sq. ft. (1.60 m <sup>2</sup> )
Heat Dissipation	Sq. Ft. of Vertical Steel x ΔT / 1000	
Basic Weight (Less Oil, Pump, and Motor)	348 lbs. (157.9 kg)	385 lbs. (174.6 kg)
Usable Gallons	10.46 Gal. (39.6 liters)	23.31 Gal. (88.2 liters)
Gallons Per Inch Rise	3.49 Gal. (13.2 liters)	3.49 Gal. (13.2 liters)
Capacity, Full to Top Plate	40.65 Gal. (153.9 liters)	57.18 Gal. (216.4 liters)
Capacity, High on Sight Gauge	33.56 Gal. (127.0 liters)	50.21 Gal. (190.0 liters)
Capacity, Low on Sight Gauge	23.10 Gal. (87.4 liters)	39.75 Gal. (150.4 liters)
<b>Pump Data*</b>		
Flow Range	Up to 8 gpm (30.3 lpm)	Up to 8 gpm (30.3 lpm)
Pressure Range	Up to 3000 psi (207 bar)	Up to 3000 psi (207 bar)
Power Range	Up to 20 HP (14.9 kW)	Up to 20 HP (14.9 kW)

\* See Continental Hydraulics Vane Pump or Piston Pump Catalogs for complete codes and specifications.

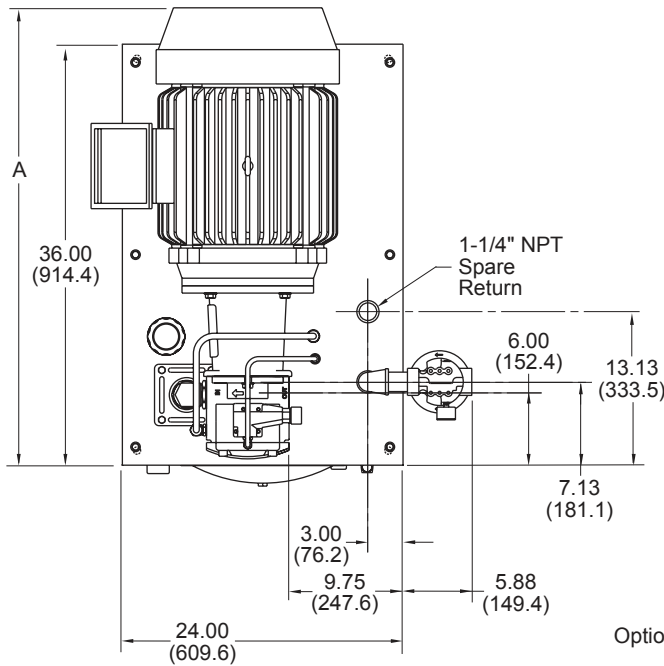
# NFPA/JIC Style Power Units

35/50 GALLON CAPACITY

Dimension Drawing - With PVX11/15 Vane Pump



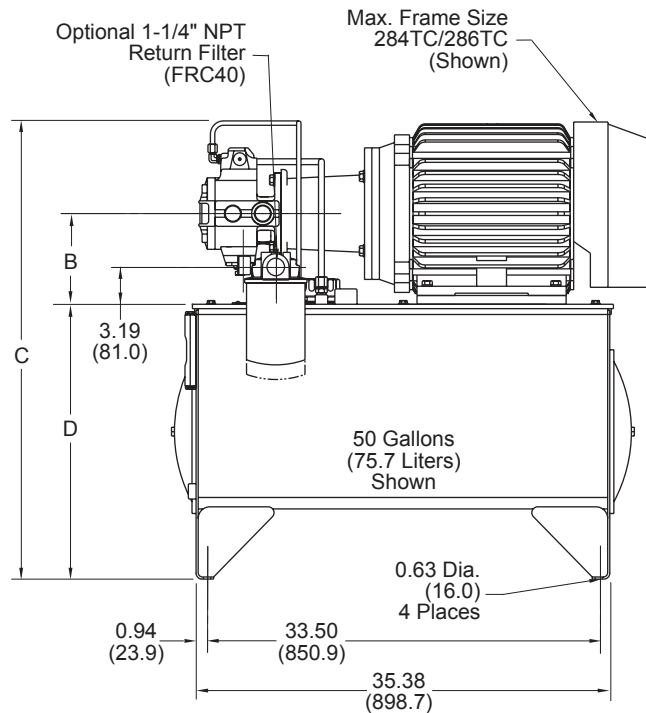
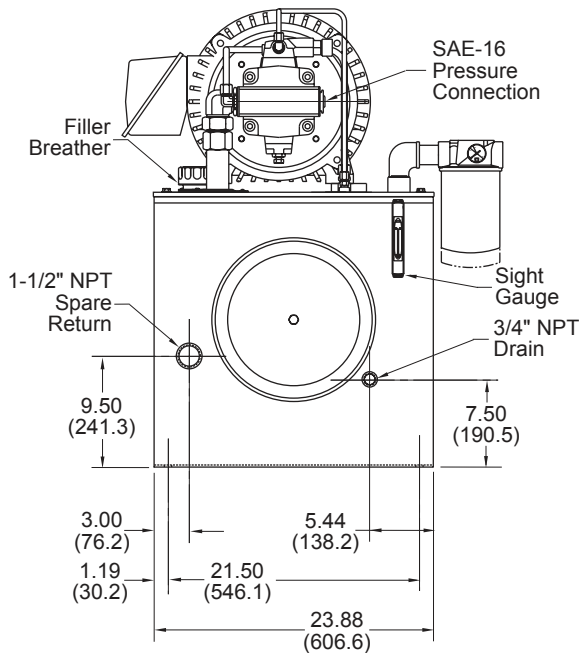
Dimensions shown in: Inches (± .125)  
 (millimeters (± 1 mm))



### Dimensions

Motor	A	B	C	
			R35	R50
182TC	24.56 (623.8)	5.75 (146.0)	32.63 (828.8)	37.38 (949.5)
184TC	25.94 (658.9)	5.75 (146.0)	32.63 (828.8)	37.38 (949.5)
213TC	28.02 (711.7)	6.50 (165.1)	33.38 (847.9)	38.13 (968.5)
215TC	29.59 (751.6)	6.50 (165.1)	33.38 (847.9)	38.13 (968.5)
254TC	33.85 (859.8)	7.00 (177.8)	33.88 (860.6)	38.63 (981.2)
256TC	35.55 (903.0)	7.00 (177.8)	33.88 (860.6)	38.63 (981.2)
284TC	37.35 (948.7)	7.75 (196.8)	34.63 (879.6)	39.38 (1000.3)
286TC	38.85 (986.8)	7.75 (196.8)	34.63 (879.6)	39.38 (1000.3)

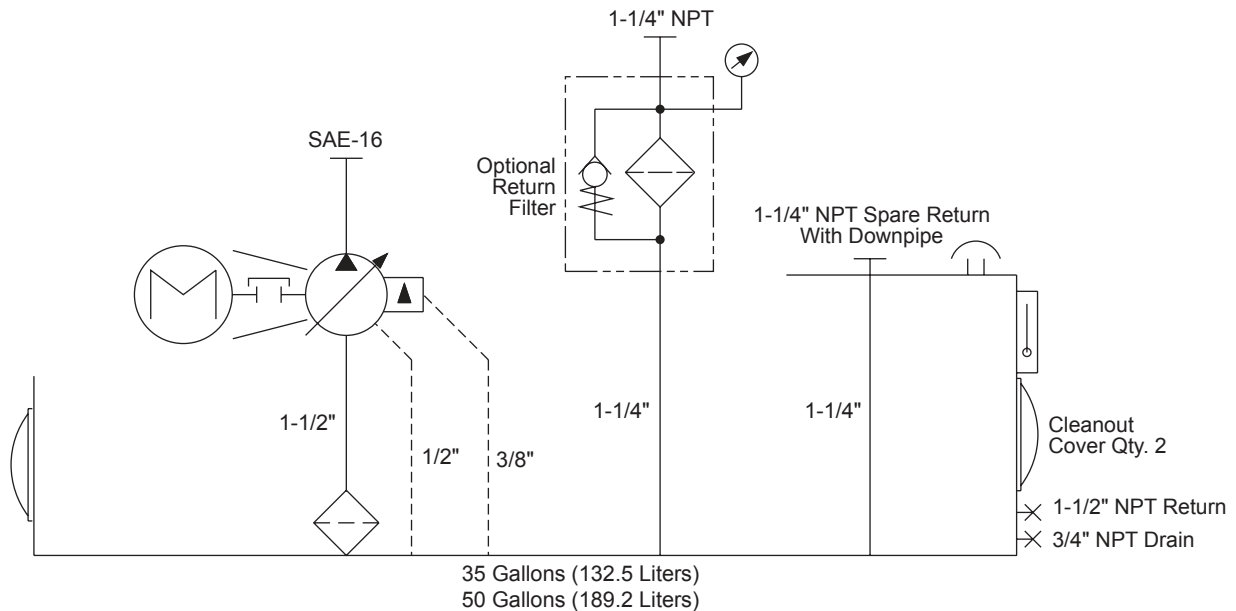
D	
R35	R50
18.75 (476.2)	23.50 (596.9)



# NFPA/JIC Style Power Units

35/50 GALLON CAPACITY

Schematic and Specifications - With PVX11/15 Vane Pump



GENERAL SPECIFICATIONS	R35	R50
Reservoir Capacity	35 Gal. (132.5 liters)	50 Gal. (189.2 liters)
Surface Area For Heat Transfer	13.44 sq. ft. (1.25 m <sup>2</sup> )	17.27 sq. ft. (1.60 m <sup>2</sup> )
Heat Dissipation	Sq. Ft. of Vertical Steel x ΔT / 1000	
Basic Weight (Less Oil, Pump, and Motor)	360 lbs. (163.3 kg)	398 lbs. (180.5 kg)
Usable Gallons	7.90 Gal. (29.9 liters)	19.72 Gal. (74.6 liters)
Gallons Per Inch Rise	3.49 Gal. (13.2 liters)	3.49 Gal. (13.2 liters)
Capacity, Full to Top Plate	40.65 Gal. (153.9 liters)	57.18 Gal. (216.4 liters)
Capacity, High on Sight Gauge	33.56 Gal. (127.0 liters)	50.21 Gal. (190.0 liters)
Capacity, Low on Sight Gauge	23.10 Gal. (87.4 liters)	39.75 Gal. (150.4 liters)
<b>Pump Data*</b>		
Flow Range	Up to 15 gpm (56.8 lpm)	Up to 15 gpm (56.8 lpm)
Pressure Range	Up to 3000 psi (207 bar)	Up to 3000 psi (207 bar)
Power Range	Up to 30 HP (22.4 kW)	Up to 30 HP (22.4 kW)

\* See Continental Hydraulics Vane Pump or Piston Pump Catalogs for complete codes and specifications.

# NFPA/JIC Style Power Units

35/50 GALLON CAPACITY

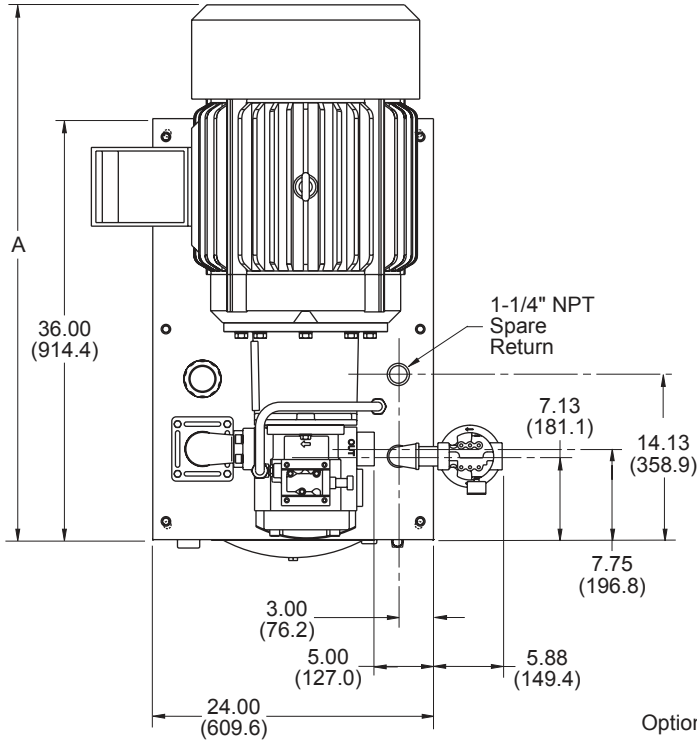
Dimension Drawing - With PVX20/29/36 Vane Pump

CONTINENTAL



HYDRAULICS

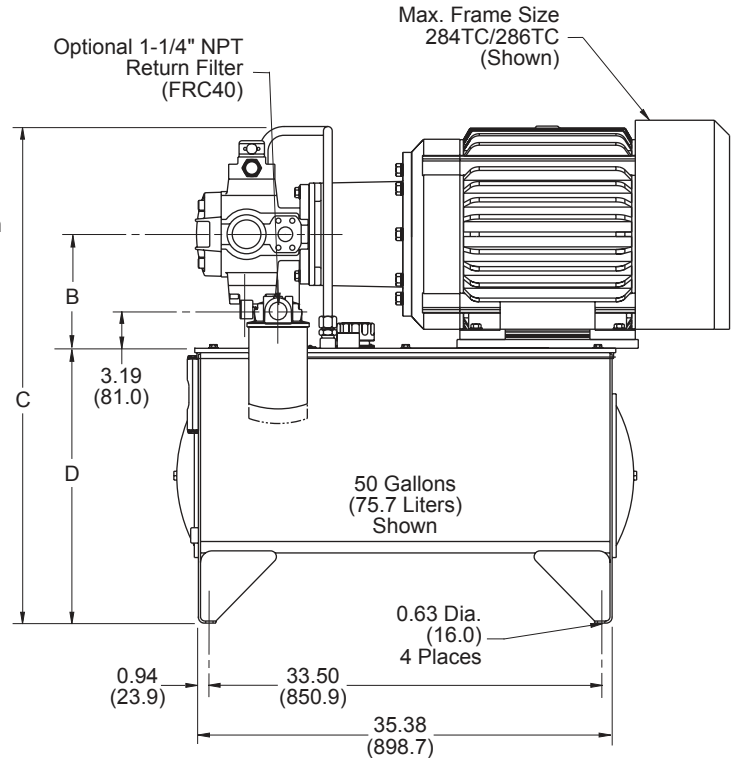
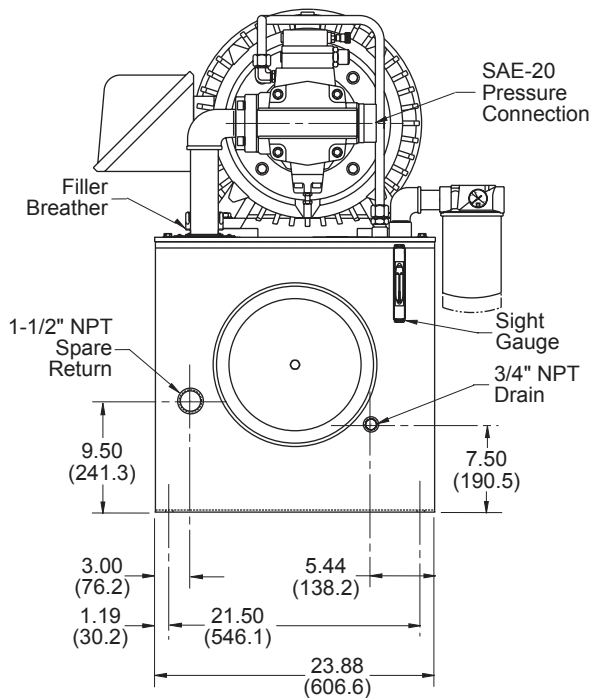
Dimensions shown in: Inches (± .125)  
 (millimeters (± 1 mm))



## Dimensions

Motor	A	B	C	
			R35	R50
254TC	36.07 (916.2)	7.00 (177.8)	36.00 (914.4)	40.75 (1035.0)
256TC	37.77 (959.4)	7.00 (177.8)	36.00 (914.4)	40.75 (1035.0)
284TC	39.57 (1005.1)	7.75 (196.8)	36.75 (933.4)	41.50 (1054.1)
286TC	41.07 (1043.2)	7.75 (196.8)	36.75 (933.4)	41.50 (1054.1)
324TC	42.61 (1082.3)	8.75 (222.2)	37.75 (958.8)	42.50 (1079.5)
326TC	42.61 (1082.3)	8.75 (222.2)	37.75 (958.8)	42.50 (1079.5)
364TC	46.11 (1171.2)	9.75 (247.6)	38.75 (984.2)	43.50 (1104.9)
365TC	46.11 (1171.2)	9.75 (247.6)	38.75 (984.2)	43.50 (1104.9)

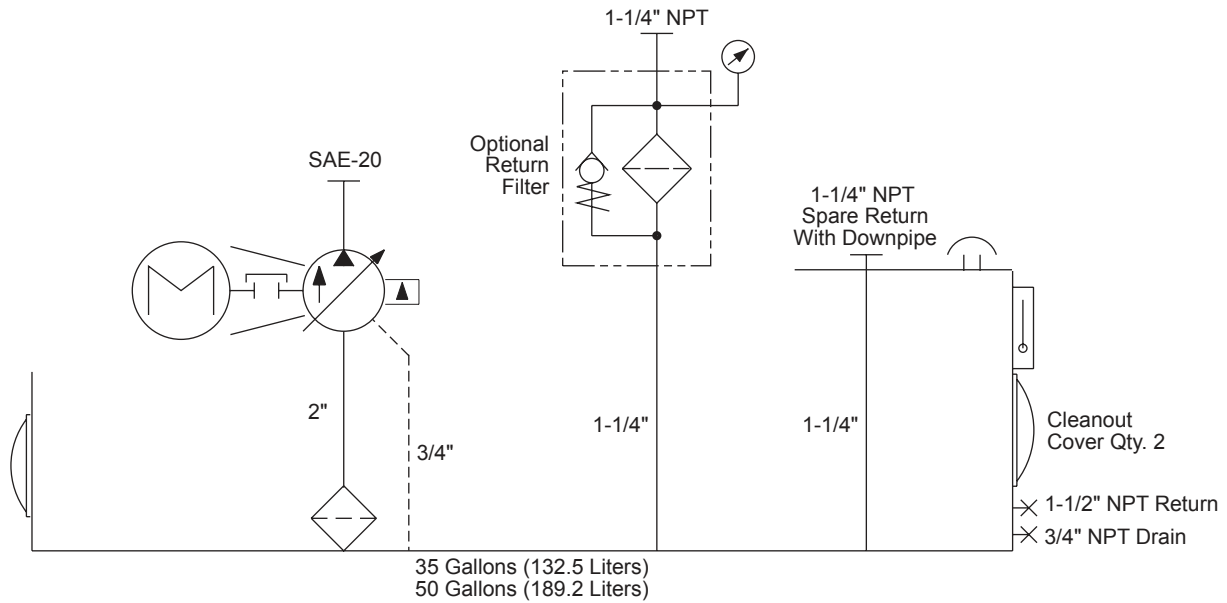
D	
R35	R50
18.75 (476.2)	23.50 (596.9)



# NFPA/JIC Style Power Units

35/50 GALLON CAPACITY

Schematic and Specifications - With PVX20/29/36 Vane Pump



GENERAL SPECIFICATIONS	R35	R50
Reservoir Capacity	35 Gal. (132.5 liters)	50 Gal. (189.2 liters)
Surface Area For Heat Transfer	13.44 sq. ft. (1.25 m <sup>2</sup> )	17.27 sq. ft. (1.60 m <sup>2</sup> )
Heat Dissipation	Sq. Ft. of Vertical Steel x ΔT / 1000	
Basic Weight (Less Oil, Pump, and Motor)	365 lbs. (165.6 kg)	403 lbs. (182.8 kg)
Usable Gallons	6.95 Gal. (26.3 liters)	18.72 Gal. (70.9 liters)
Gallons Per Inch Rise	3.49 Gal. (13.2 liters)	3.49 Gal. (13.2 liters)
Capacity, Full to Top Plate	40.65 Gal. (153.9 liters)	57.18 Gal. (216.4 liters)
Capacity, High on Sight Gauge	33.56 Gal. (127.0 liters)	50.21 Gal. (190.0 liters)
Capacity, Low on Sight Gauge	23.10 Gal. (87.4 liters)	39.75 Gal. (150.4 liters)
<b>Pump Data*</b>		
Flow Range	Up to 36 gpm (136.2 lpm)	Up to 36 gpm (136.2 lpm)
Pressure Range	Up to 3000 psi (207 bar)	Up to 3000 psi (207 bar)
Power Range	Up to 75 HP (55.9 kW)	Up to 75 HP (55.9 kW)

\* See Continental Hydraulics Vane Pump or Piston Pump Catalogs for complete codes and specifications.

# NFPA/JIC Style Power Units

35/50 GALLON CAPACITY

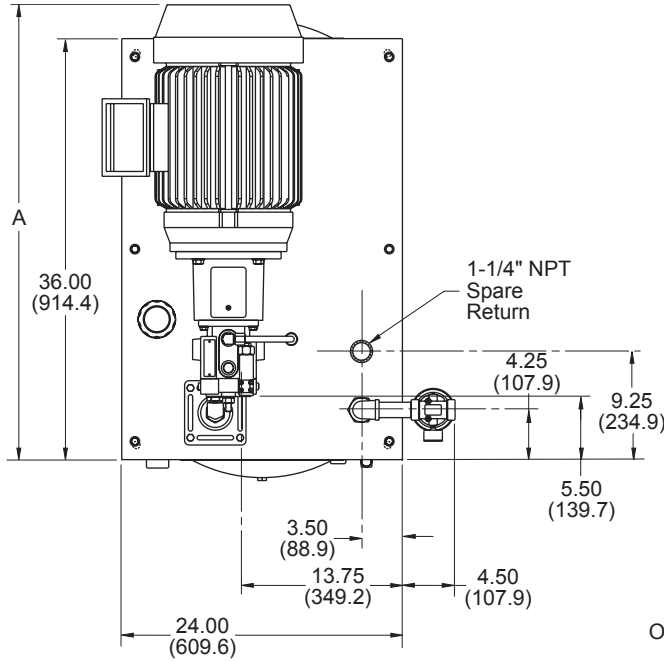
Dimension Drawing - With HPV6 Piston Pump

CONTINENTAL



HYDRAULICS

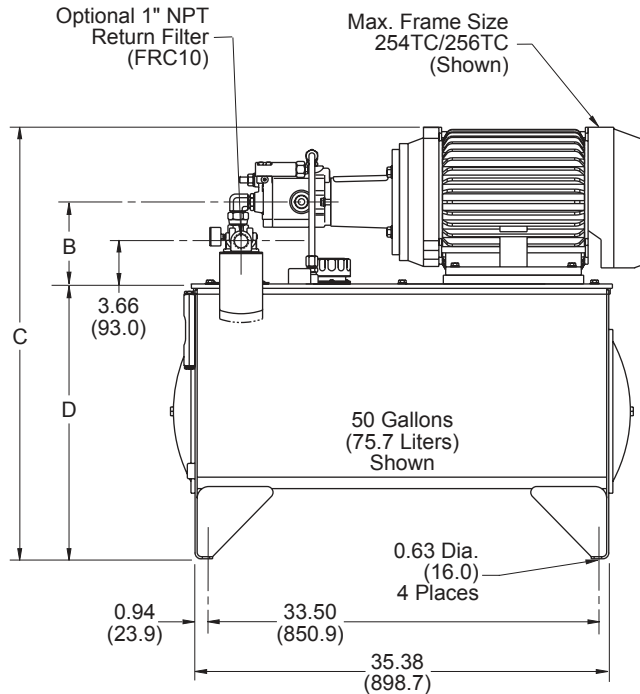
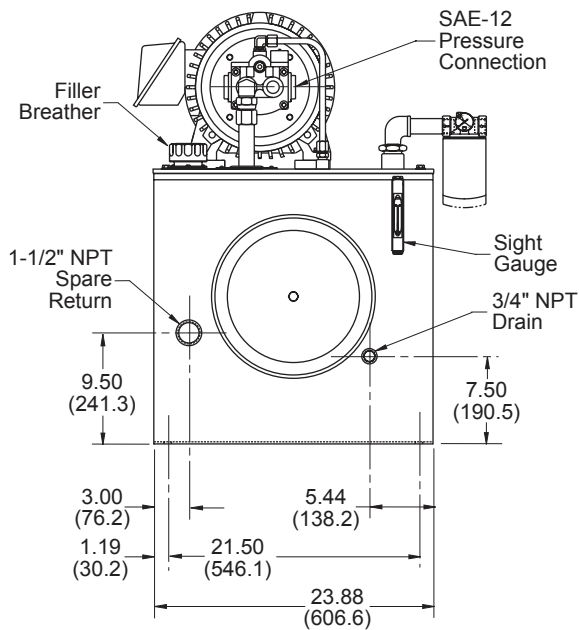
Dimensions shown in: Inches (± .125)  
 (millimeters (± 1 mm))



## Dimensions

Motor Frame	A	B	C	
			R35	R50
182TC	29.10 (739.1)	5.75 (146.0)	29.40 (746.8)	34.19 (868.4)
184TC	30.09 (764.3)	5.75 (146.0)	29.40 (746.8)	34.19 (868.4)
213TC	32.24 (818.9)	6.50 (165.1)	30.88 (784.4)	35.63 (905.0)
215TC	33.73 (856.7)	6.50 (165.1)	30.88 (784.4)	35.63 (905.0)
254TC	37.70 (957.6)	7.00 (177.8)	32.38 (822.5)	37.13 (943.1)
256TC	39.32 (998.7)	7.00 (177.8)	32.38 (822.5)	37.13 (943.1)

D	
R35	R50
18.75 (476.2)	23.50 (596.9)

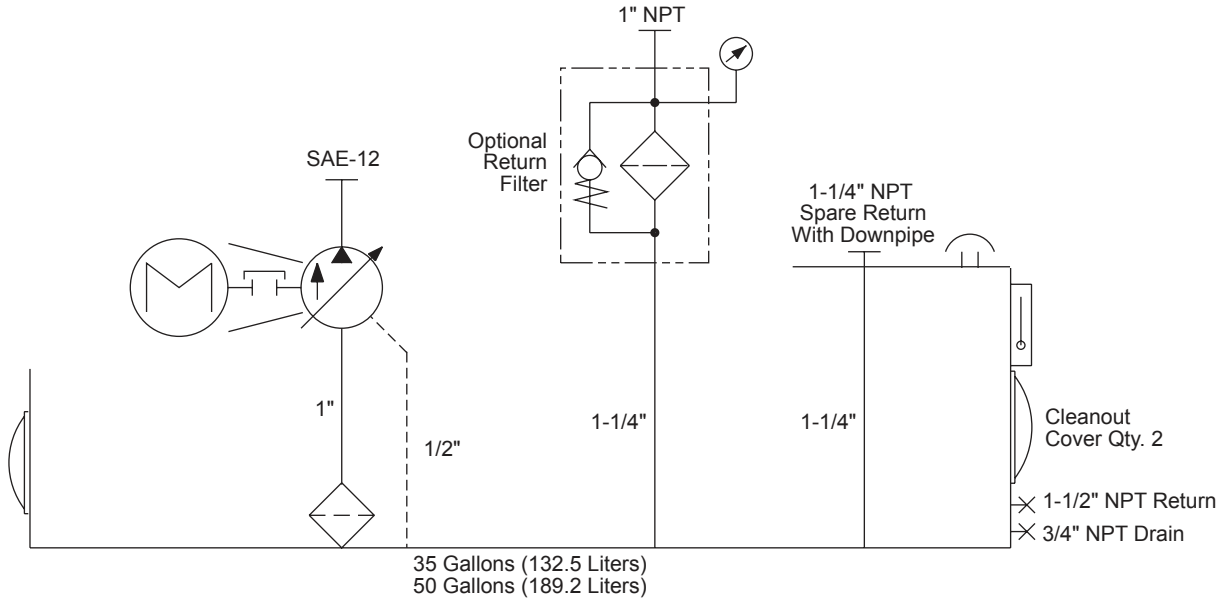




# NFPA/JIC Style Power Units

35/50 GALLON CAPACITY

Schematic and Specifications - With HPV6 Piston Pump



GENERAL SPECIFICATIONS	R35	R50
Reservoir Capacity	35 Gal. (132.5 liters)	50 Gal. (189.2 liters)
Surface Area For Heat Transfer	13.44 sq. ft. (1.25 m <sup>2</sup> )	17.27 sq. ft. (1.60 m <sup>2</sup> )
Heat Dissipation	Sq. Ft. of Vertical Steel x ΔT / 1000	
Basic Weight (Less Oil, Pump, and Motor)	348 lbs. (157.9 kg)	385 lbs. (174.6 kg)
Usable Gallons	10.46 Gal. (39.6 liters)	23.31 Gal. (88.2 liters)
Gallons Per Inch Rise	3.49 Gal. (13.2 liters)	3.49 Gal. (13.2 liters)
Capacity, Full to Top Plate	40.65 Gal. (153.9 liters)	57.18 Gal. (216.4 liters)
Capacity, High on Sight Gauge	33.56 Gal. (127.0 liters)	50.21 Gal. (190.0 liters)
Capacity, Low on Sight Gauge	23.10 Gal. (87.4 liters)	39.75 Gal. (150.4 liters)
<b>Pump Data*</b>		
Flow Range	Up to 8 gpm (30.3 lpm)	Up to 8 gpm (30.3 lpm)
Pressure Range	Up to 3000 psi (207 bar)	Up to 3000 psi (207 bar)
Power Range	Up to 20 HP (14.9 kW)	Up to 20 HP (14.9 kW)

\* See Continental Hydraulics Vane Pump or Piston Pump Catalogs for complete codes and specifications.

# NFPA/JIC Style Power Units

35/50 GALLON CAPACITY

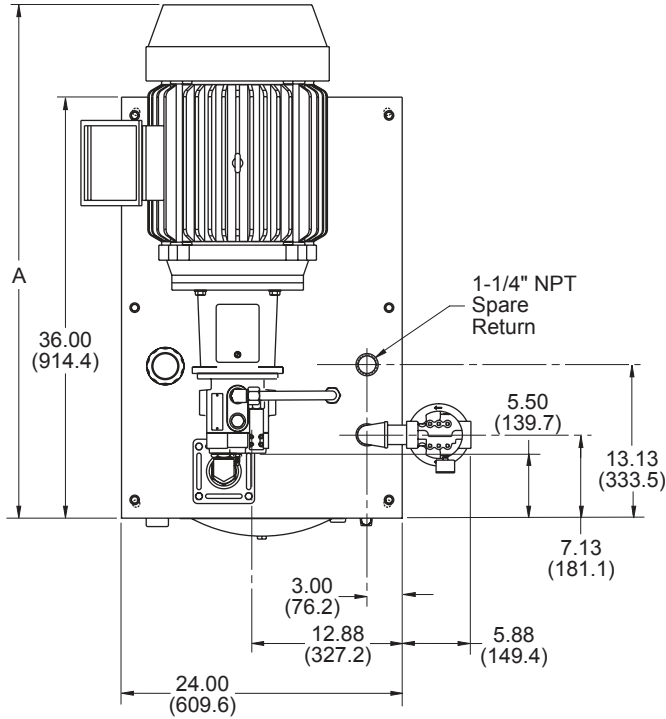
Dimension Drawing - With HPV10 Piston Pump

CONTINENTAL



HYDRAULICS

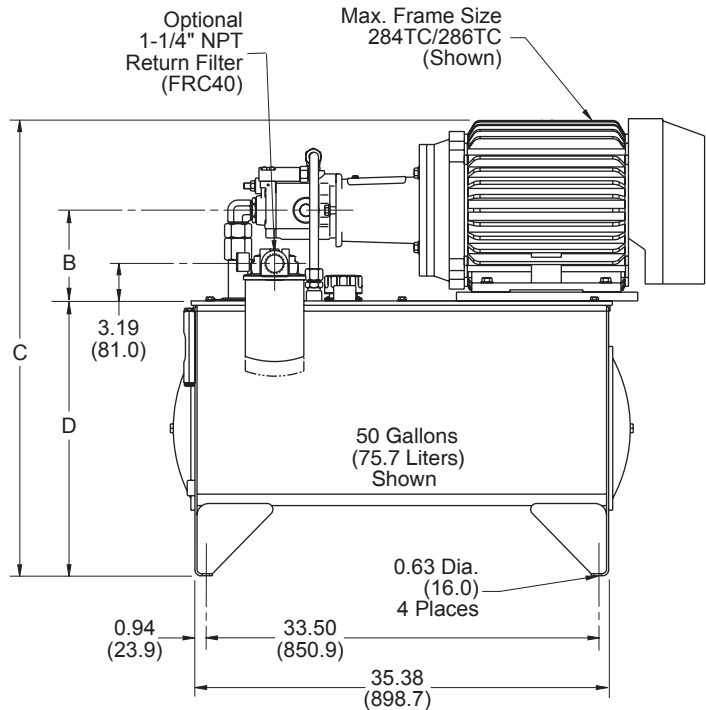
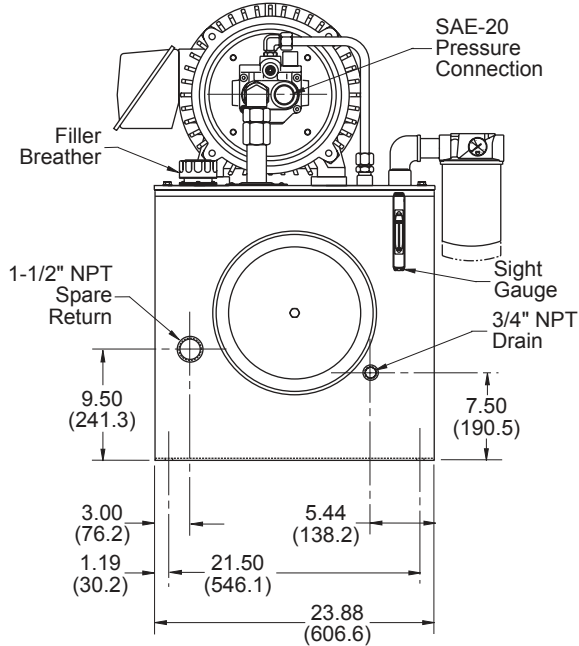
Dimensions shown in: Inches (± .125)  
millimeters (± 1 mm)



## Dimensions

Motor	A	B	C	
			R35	R50
182TC	29.76 (755.9)	5.75 (146.0)	29.40 (746.8)	34.19 (868.4)
184TC	30.75 (781.0)	5.75 (146.0)	29.40 (746.8)	34.19 (868.4)
213TC	33.28 (845.3)	6.50 (165.1)	30.88 (784.4)	35.63 (905.0)
215TC	34.77 (883.2)	6.50 (165.1)	30.88 (784.4)	35.63 (905.0)
254TC	39.11 (993.4)	7.00 (177.8)	32.38 (822.5)	37.13 (943.1)
256TC	40.81 (1036.6)	7.00 (177.8)	32.38 (822.5)	37.13 (943.1)
284TC	42.61 (1082.3)	7.75 (196.8)	33.38 (847.9)	38.63 (981.2)
286TC	43.11 (1095.0)	7.75 (196.8)	33.38 (847.9)	38.63 (981.2)

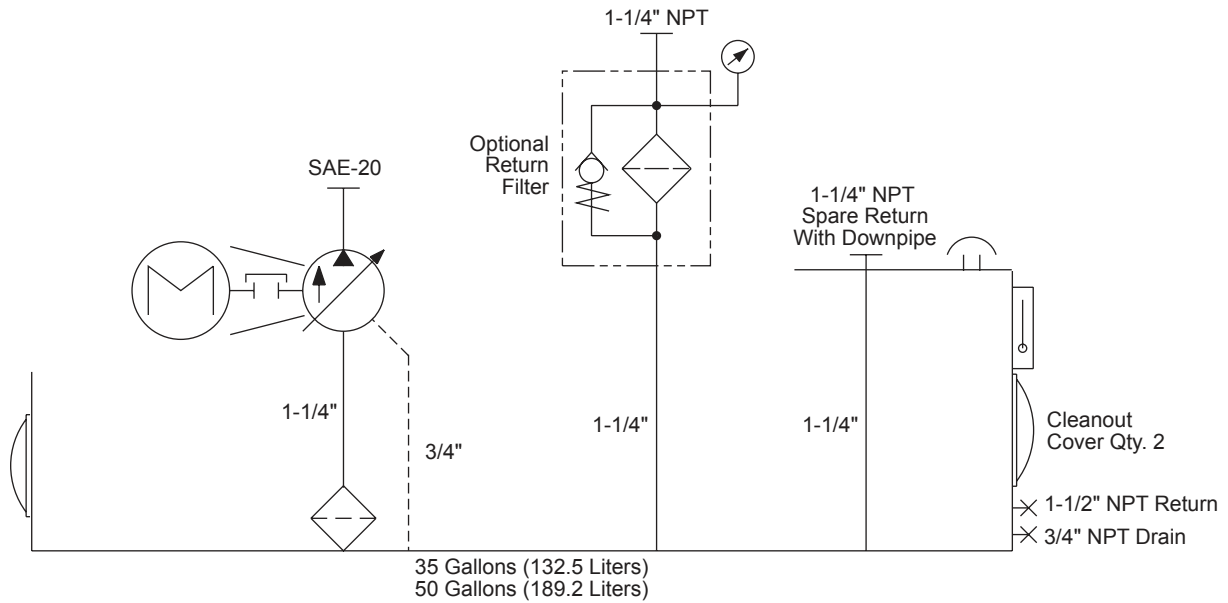
D	
R35	R50
18.75 (476.2)	23.50 (596.9)



# NFPA/JIC Style Power Units

35/50 GALLON CAPACITY

Schematic and Specifications - With HPV10 Piston Pump



GENERAL SPECIFICATIONS	R35	R50
Reservoir Capacity	35 Gal. (132.5 liters)	50 Gal. (189.2 liters)
Surface Area For Heat Transfer	13.44 sq. ft. (1.25 m <sup>2</sup> )	17.27 sq. ft. (1.60 m <sup>2</sup> )
Heat Dissipation	Sq. Ft. of Vertical Steel x ΔT / 1000	
Basic Weight (Less Oil, Pump, and Motor)	360 lbs. (163.3 kg)	398 lbs. (180.5 kg)
Usable Gallons	7.90 Gal. (29.9 liters)	19.72 Gal. (74.6 liters)
Gallons Per Inch Rise	3.49 Gal. (13.2 liters)	3.49 Gal. (13.2 liters)
Capacity, Full to Top Plate	40.65 Gal. (153.9 liters)	57.18 Gal. (216.4 liters)
Capacity, High on Sight Gauge	33.56 Gal. (127.0 liters)	50.21 Gal. (190.0 liters)
Capacity, Low on Sight Gauge	23.10 Gal. (87.4 liters)	39.75 Gal. (150.4 liters)
<b>Pump Data*</b>		
Flow Range	Up to 10 gpm (37.8 lpm)	Up to 10 gpm (37.8 lpm)
Pressure Range	Up to 3500 psi (241 bar)	Up to 3500 psi (241 bar)
Power Range	Up to 30 HP (22.4 kW)	Up to 30 HP (22.4 kW)

\* See Continental Hydraulics Vane Pump or Piston Pump Catalogs for complete codes and specifications.

# NFPA/JIC Style Power Units

35/50 GALLON CAPACITY

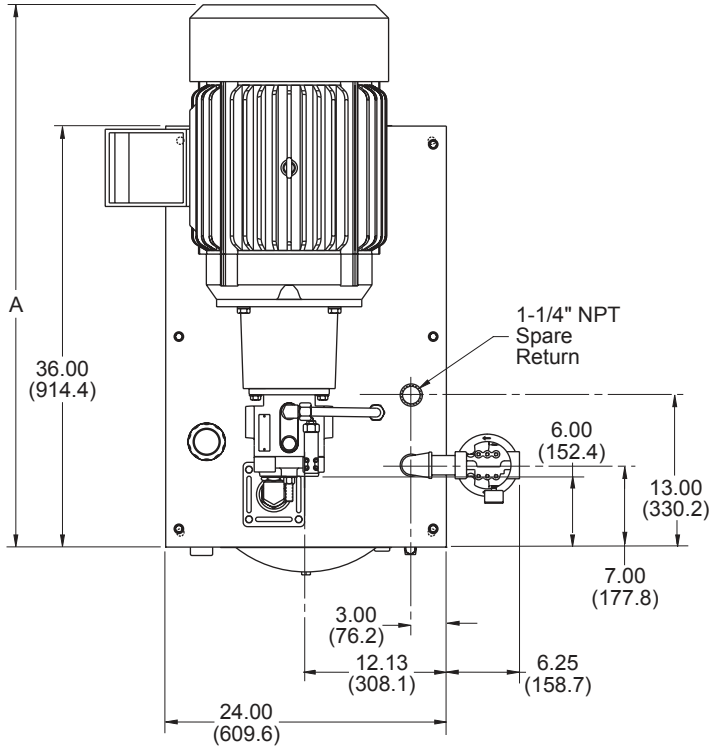
Dimension Drawing - With HPV15 Piston Pump

CONTINENTAL



HYDRAULICS

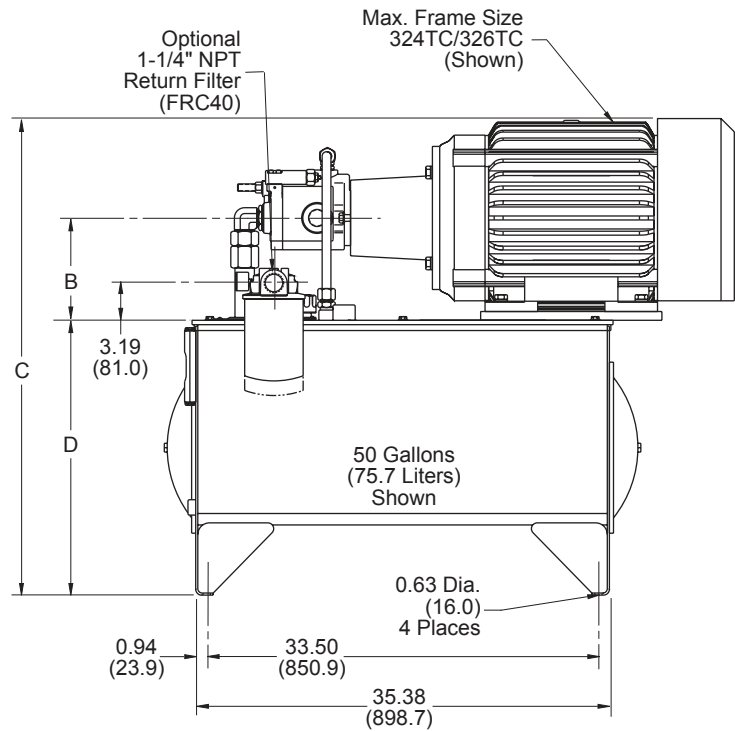
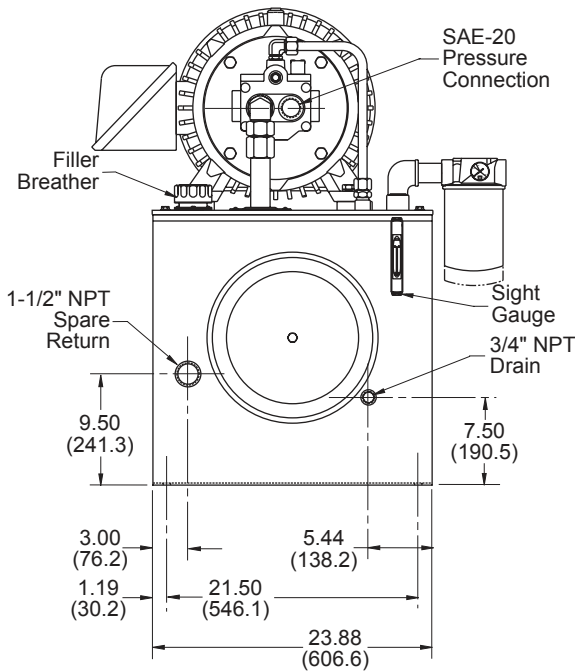
Dimensions shown in: Inches (± .125)  
millimeters (± 1 mm)



### Dimensions

Motor	A	B	C	
			R35	R50
254TC	40.30 (1023.6)	7.00 (177.8)	32.38 (822.5)	37.13 (943.1)
256TC	42.00 (1066.8)	7.00 (177.8)	32.38 (822.5)	37.13 (943.1)
284TC	43.80 (1112.5)	7.75 (196.8)	33.88 (860.6)	38.63 (981.2)
286TC	45.30 (1150.6)	7.75 (196.8)	33.88 (860.6)	38.63 (981.2)
324TC	46.84 (1189.7)	8.75 (222.2)	35.85 (910.6)	40.60 (1031.2)
326TC	46.84 (1189.7)	8.75 (222.2)	35.85 (910.6)	40.60 (1031.2)

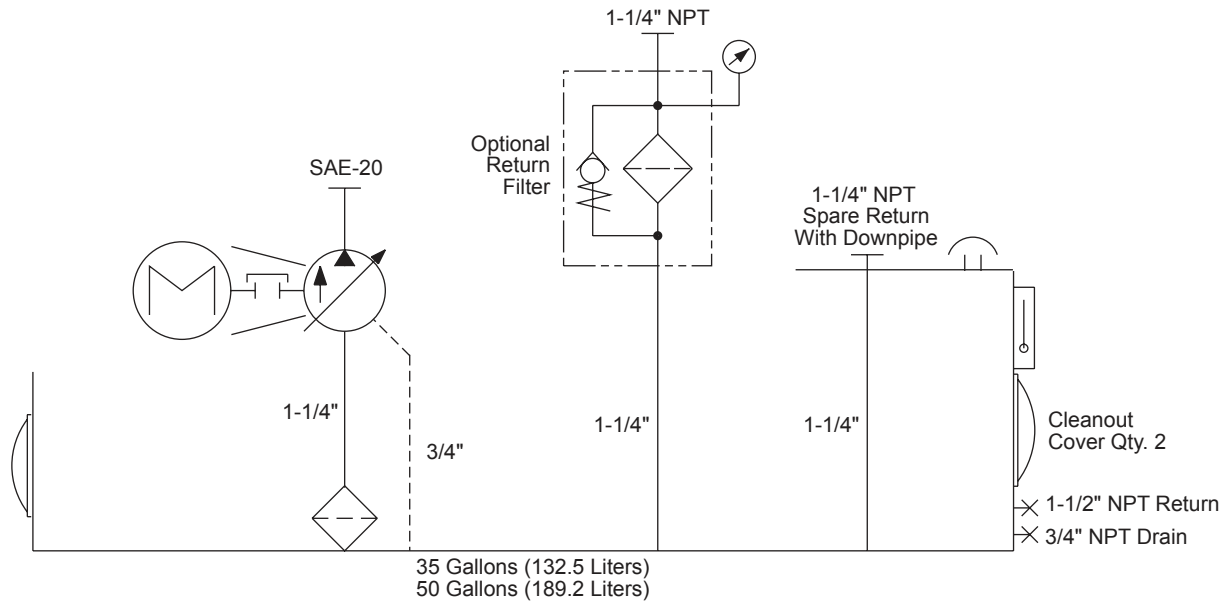
D	
R35	R50
18.75 (476.2)	23.50 (596.9)



# NFPA/JIC Style Power Units

35/50 GALLON CAPACITY

Schematic and Specifications - With HPV15 Piston Pump



GENERAL SPECIFICATIONS	R35	R50
Reservoir Capacity	35 Gal. (132.5 liters)	50 Gal. (189.2 liters)
Surface Area For Heat Transfer	13.44 sq. ft. (1.25 m <sup>2</sup> )	17.27 sq. ft. (1.60 m <sup>2</sup> )
Heat Dissipation	Sq. Ft. of Vertical Steel x ΔT / 1000	
Basic Weight (Less Oil, Pump, and Motor)	363 lbs. (164.7 kg)	403 lbs. (182.8 kg)
Usable Gallons	7.90 Gal. (29.9 liters)	19.72 Gal. (74.6 liters)
Gallons Per Inch Rise	3.49 Gal. (13.2 liters)	3.49 Gal. (13.2 liters)
Capacity, Full to Top Plate	40.65 Gal. (153.9 liters)	57.18 Gal. (216.4 liters)
Capacity, High on Sight Gauge	33.56 Gal. (127.0 liters)	50.21 Gal. (190.0 liters)
Capacity, Low on Sight Gauge	23.10 Gal. (87.4 liters)	39.75 Gal. (150.4 liters)
<b>Pump Data*</b>		
Flow Range	Up to 20 gpm (75.7 lpm)	Up to 20 gpm (75.7 lpm)
Pressure Range	Up to 3500 psi (241 bar)	Up to 3500 psi (241 bar)
Power Range	Up to 50 HP (37.3 kW)	Up to 50 HP (37.3 kW)

\* See Continental Hydraulics Vane Pump or Piston Pump Catalogs for complete codes and specifications.

# NFPA/JIC Style Power Units

35/50 GALLON CAPACITY

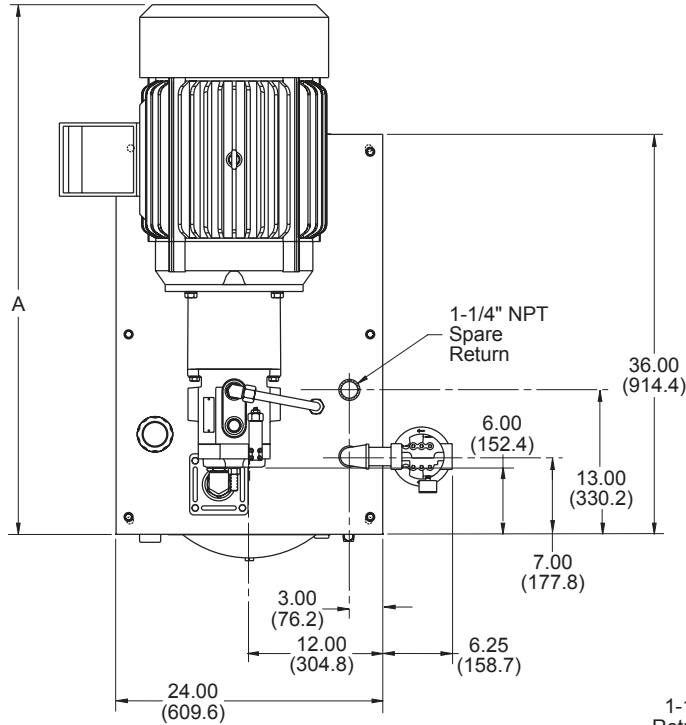
Dimension Drawing - With HPV20 Piston Pump

CONTINENTAL



HYDRAULICS

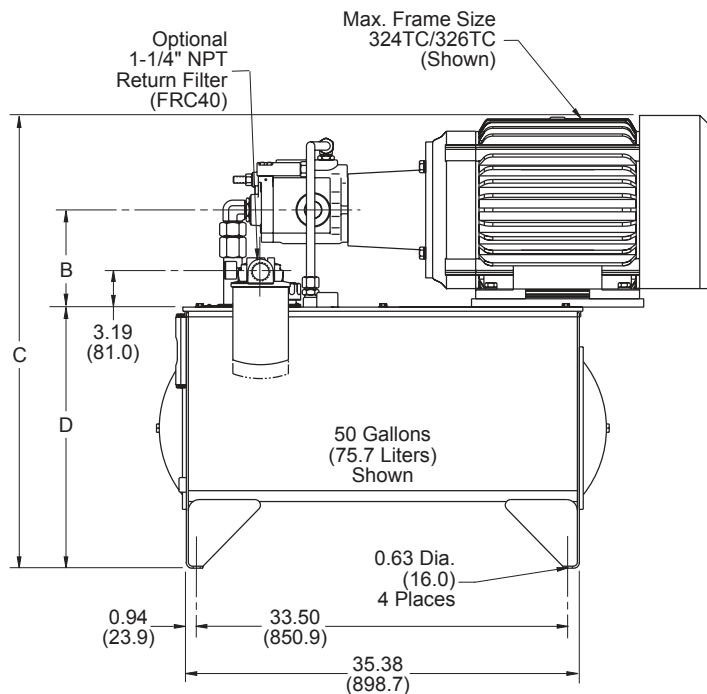
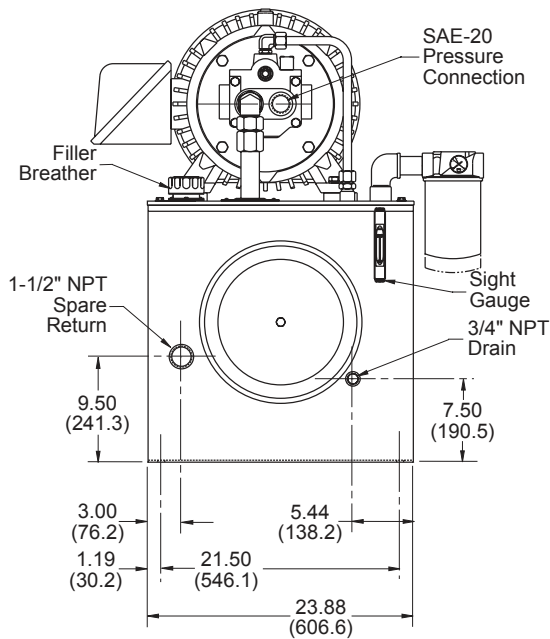
Dimensions shown in: Inches (± .125)  
 (millimeters (± 1 mm))



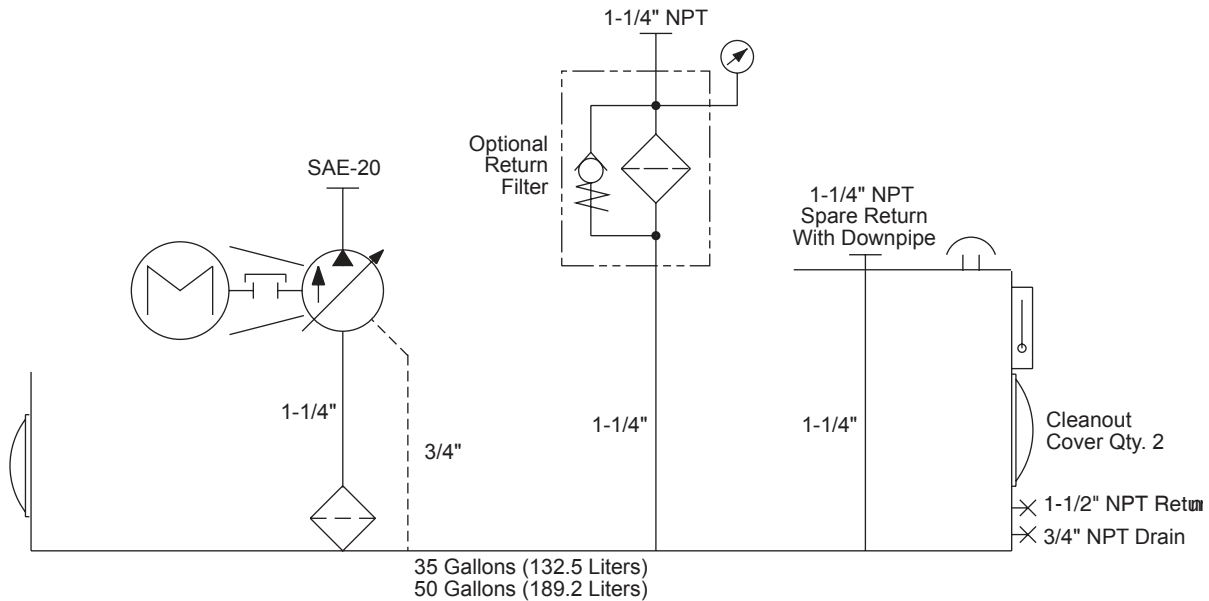
## Dimensions

Motor	A	B	C	
			R35	R50
254TC	41.09 (1043.7)	7.00 (177.8)	32.38 (822.5)	37.13 (943.1)
256TC	42.79 (1086.9)	7.00 (177.8)	32.38 (822.5)	37.13 (943.1)
284TC	44.59 (1132.6)	7.75 (196.8)	33.88 (860.6)	38.63 (981.2)
286TC	46.09 (1170.7)	7.75 (196.8)	33.88 (860.6)	38.63 (981.2)
324TC	47.63 (1209.8)	8.75 (222.2)	35.85 (910.6)	40.60 (1031.2)
326TC	47.63 (1209.8)	8.75 (222.2)	35.85 (910.6)	40.60 (1031.2)

D	
R35	R50
18.75 (476.2)	23.50 (596.9)



**NFPA/JIC Style Power Units**  
**35/50 GALLON CAPACITY**  
**Schematic and Specifications - With HPV20 Piston Pump**



<b>GENERAL SPECIFICATIONS</b>	<b>R35</b>	<b>R50</b>
Reservoir Capacity	35 Gal. (132.5 liters)	50 Gal. (189.2 liters)
Surface Area For Heat Transfer	13.44 sq. ft. (1.25 m <sup>2</sup> )	17.27 sq. ft. (1.60 m <sup>2</sup> )
Heat Dissipation	Sq. Ft. of Vertical Steel x ΔT / 1000	
Basic Weight (Less Oil, Pump, and Motor)	366 lbs. (166.0 kg)	409 lbs. (185.2 kg)
Usable Gallons	6.95 Gal. (26.3 liters)	18.72 Gal. (70.9 liters)
Gallons Per Inch Rise	3.49 Gal. (13.2 liters)	3.49 Gal. (13.2 liters)
Capacity, Full to Top Plate	40.65 Gal. (153.9 liters)	57.18 Gal. (216.4 liters)
Capacity, High on Sight Gauge	33.56 Gal. (127.0 liters)	50.21 Gal. (190.0 liters)
Capacity, Low on Sight Gauge	23.10 Gal. (87.4 liters)	39.75 Gal. (150.4 liters)
<b>Pump Data*</b>		
Flow Range	Up to 20 gpm (75.7 lpm)	Up to 20 gpm (75.7 lpm)
Pressure Range	Up to 3500 psi (241 bar)	Up to 3500 psi (241 bar)
Power Range	Up to 50 HP (37.3 kW)	Up to 50 HP (37.3 kW)

\* See Continental Hydraulics Vane Pump or Piston Pump Catalogs for complete codes and specifications.

# NFPA/JIC Style Power Units

50 GALLON CAPACITY

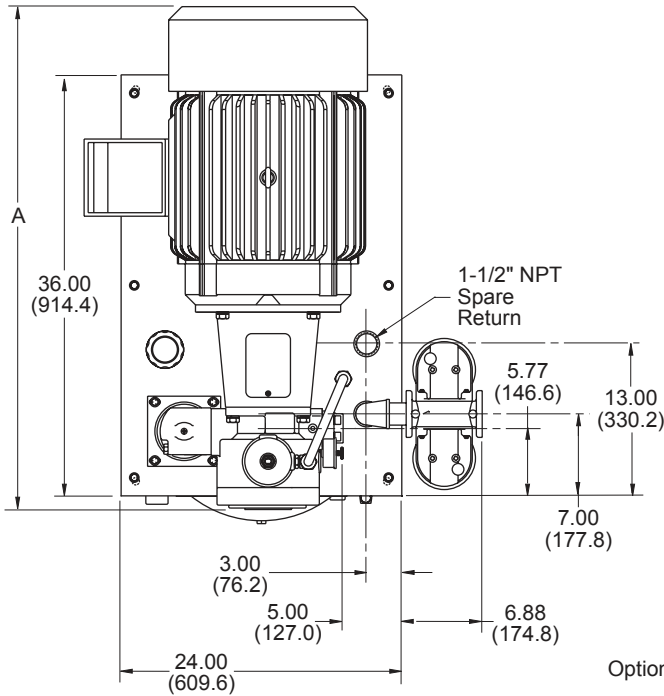
Dimension Drawing - With PVR50 Vane Pump

CONTINENTAL



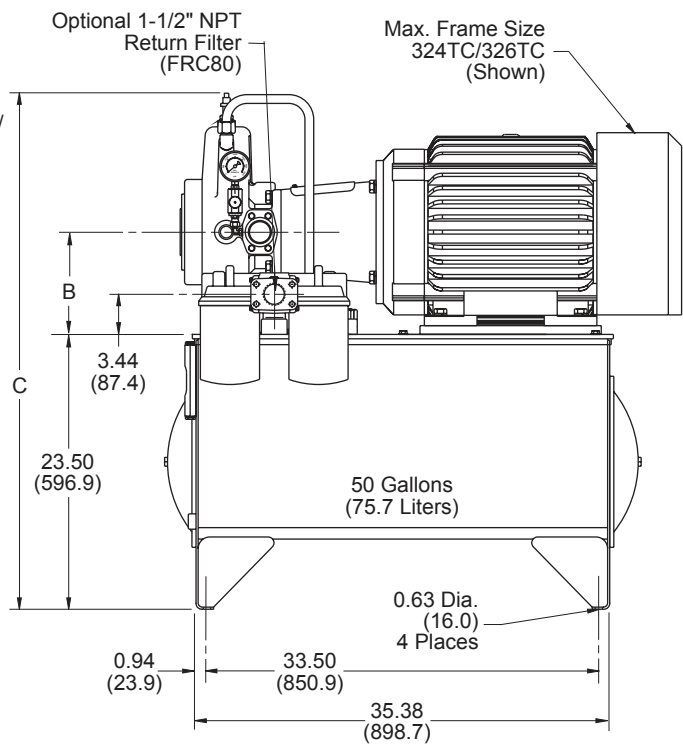
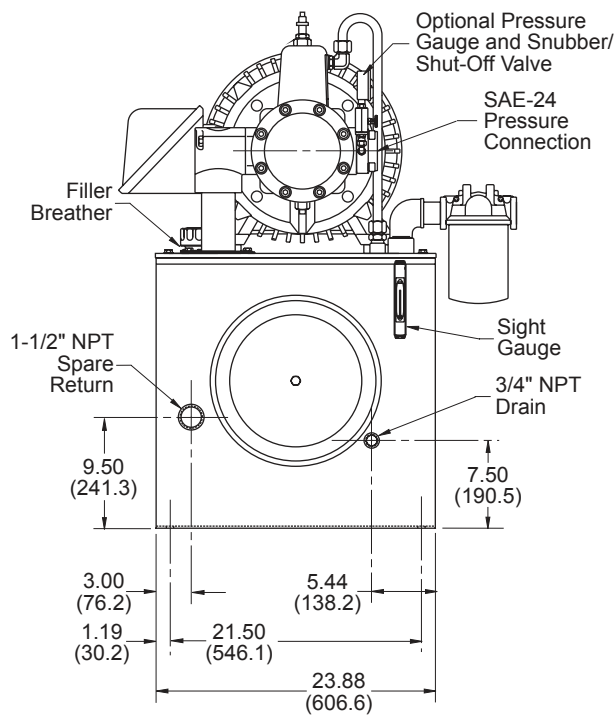
HYDRAULICS

Dimensions shown in: Inches (± .125)  
 (millimeters (± 1 mm))



### Dimensions

Motor Frame	A	B	C
254TC	35.48 (901.2)	7.00 (177.8)	42.41 (1077.2)
256TC	37.18 (944.4)	7.00 (177.8)	42.41 (1077.2)
284TC	39.11 (993.4)	7.75 (196.8)	43.16 (1096.3)
286TC	40.61 (1031.5)	7.75 (196.8)	43.16 (1096.3)
324TC	42.52 (1080.0)	8.75 (222.2)	44.16 (1121.7)
326TC	42.52 (1080.0)	8.75 (222.2)	44.16 (1121.7)

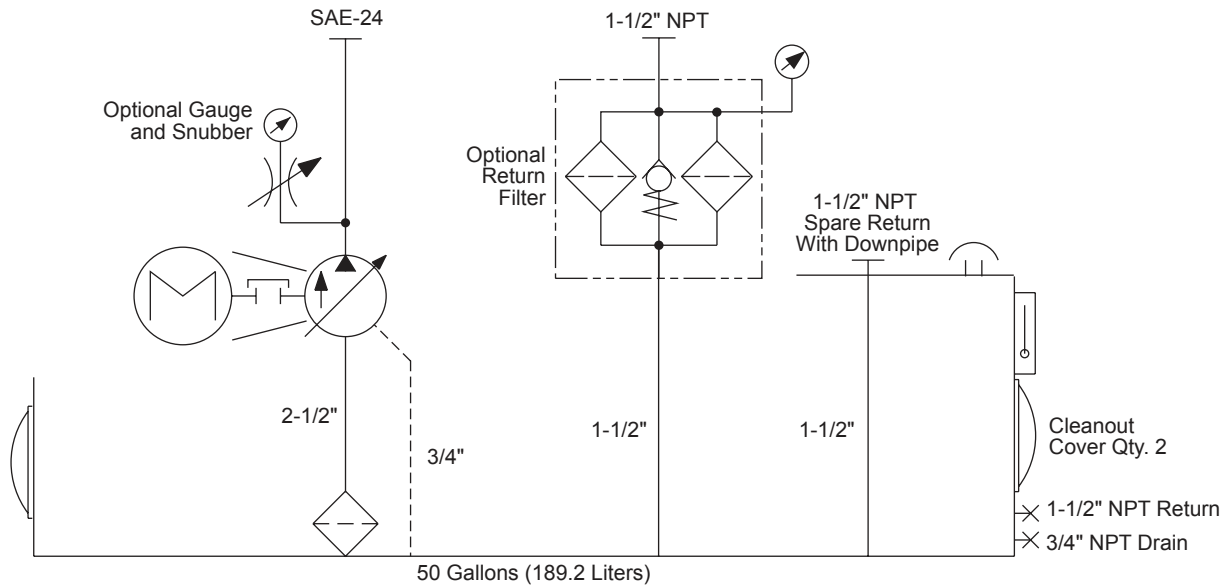




# NFPA/JIC Style Power Units

50 GALLON CAPACITY

Schematic and Specifications - With PVR50 Vane Pump



GENERAL SPECIFICATIONS	R50
Reservoir Capacity	50 Gal. (189.2 liters)
Surface Area For Heat Transfer	17.27 sq. ft. (1.60 m <sup>2</sup> )
Heat Dissipation	Sq. Ft. of Vertical Steel x ΔT / 1000
Basic Weight (Less Oil, Pump, and Motor)	455 lbs. (206.4 kg)
Usable Gallons	14.07 Gal. (26.3 liters)
Gallons Per Inch Rise	3.49 Gal. (13.2 liters)
Capacity, Full to Top Plate	57.18 Gal. (216.4 liters)
Capacity, High on Sight Gauge	50.21 Gal. (190.0 liters)
Capacity, Low on Sight Gauge	39.75 Gal. (150.4 liters)
<b>Pump Data*</b>	
Flow Range	Up to 70 gpm (264.9 lpm)
Pressure Range	Up to 2000 psi (138 bar)
Power Range	Up to 50 HP (37.3 kW)

\* See Continental Hydraulics Vane Pump or Piston Pump Catalogs for complete codes and specifications.

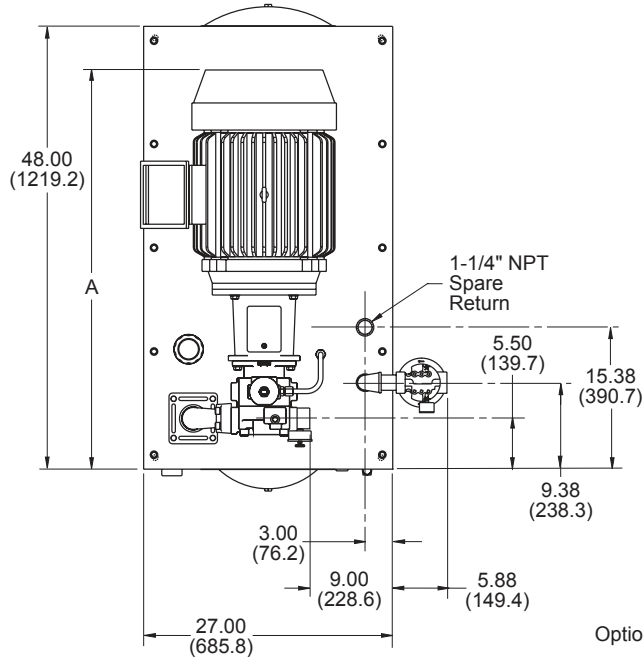
# NFPA/JIC Style Power Units

70 GALLON CAPACITY

Dimension Drawing - With PVR15 Vane Pump

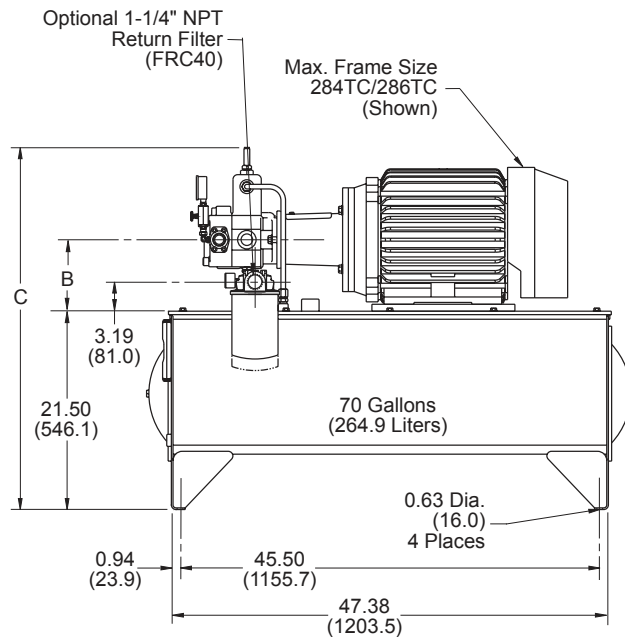
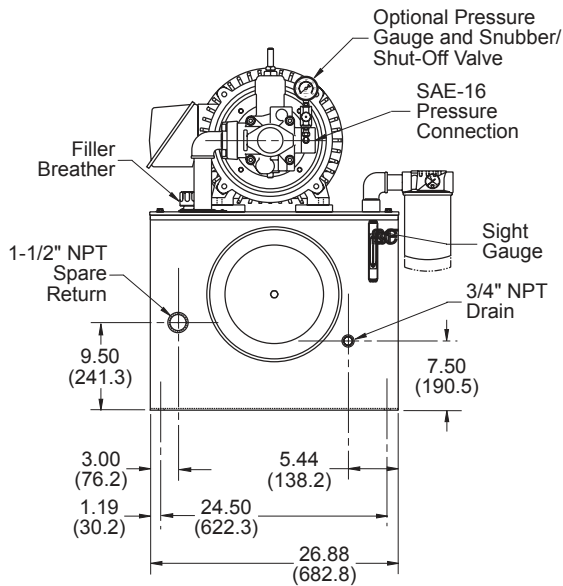


Dimensions shown in: Inches (± .125)  
 (millimeters (± 1 mm))



### Dimensions

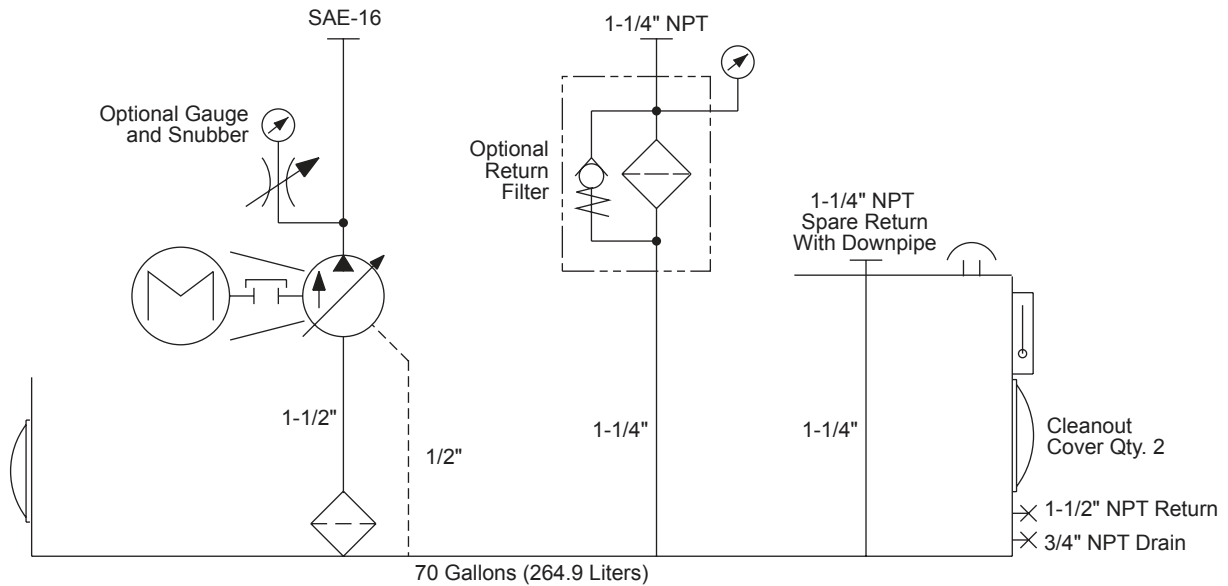
Motor Frame	A	B	C
182TC	29.18 (741.2)	5.75 (146.0)	37.25 (946.1)
184TC	30.17 (766.3)	5.75 (146.0)	37.25 (946.1)
213TC	32.20 (817.9)	6.50 (165.1)	38.00 (965.2)
215TC	33.69 (855.7)	6.50 (165.1)	38.00 (965.2)
254TC	38.03 (966.0)	7.00 (177.8)	38.50 (977.9)
256TC	39.73 (1009.1)	7.00 (177.8)	38.50 (977.9)
284TC	41.53 (1054.9)	7.75 (196.8)	39.25 (996.9)
286TC	43.03 (1093.0)	7.75 (196.8)	39.25 (996.9)



# NFPA/JIC Style Power Units

70 GALLON CAPACITY

Schematic and Specifications - With PVR15 Vane Pump



GENERAL SPECIFICATIONS	R70
Reservoir Capacity	70 Gal. (254.9 liters)
Surface Area For Heat Transfer	21.16 sq. ft. (1.97 m <sup>2</sup> )
Heat Dissipation	Sq. Ft. of Vertical Steel x ΔT / 1000
Basic Weight (Less Oil, Pump, and Motor)	510 lbs. (231.3 kg)
Usable Gallons	18.68 Gal. (70.7 liters)
Gallons Per Inch Rise	5.29 Gal. (20.0 liters)
Capacity, Full to Top Plate	75.89 Gal. (287.2 liters)
Capacity, High on Sight Gauge	65.75 Gal. (248.9 liters)
Capacity, Low on Sight Gauge	48.75 Gal. (184.5 liters)
<b>Pump Data*</b>	
Flow Range	Up to 30 gpm (113.5 lpm)
Pressure Range	Up to 2000 psi (138 bar)
Power Range	Up to 30 HP (22.4 kW)

\* See Continental Hydraulics Vane Pump or Piston Pump Catalogs for complete codes and specifications.

# NFPA/JIC Style Power Units

70 GALLON CAPACITY

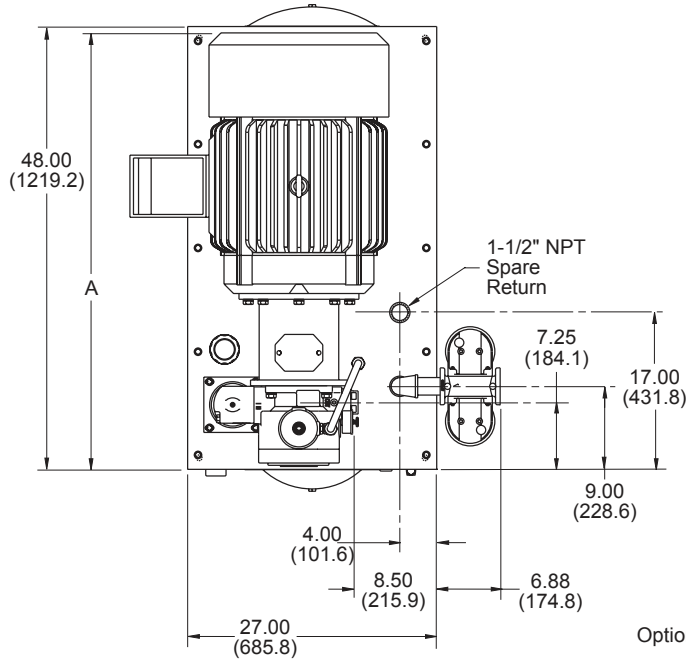
Dimension Drawing - With PVR50 Vane Pump

CONTINENTAL



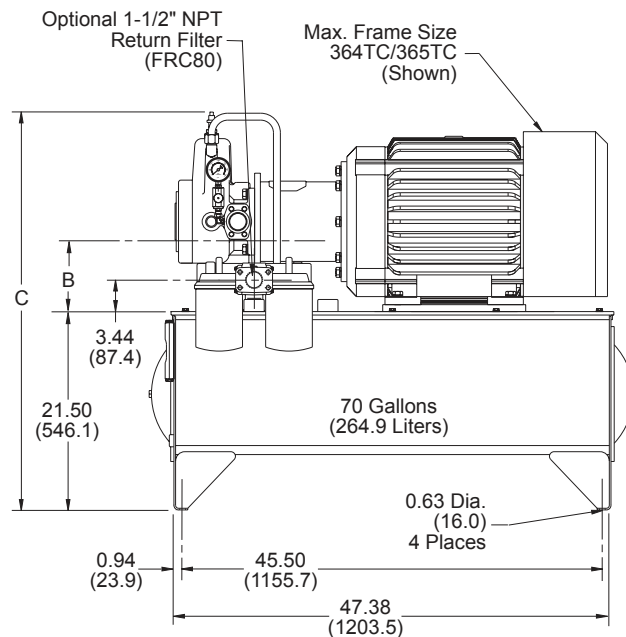
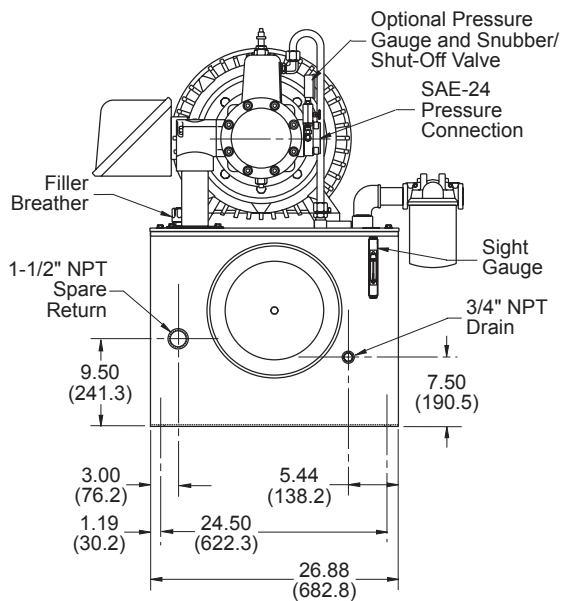
HYDRAULICS

Dimensions shown in: Inches (± .125)  
 (millimeters (± 1 mm))



### Dimensions

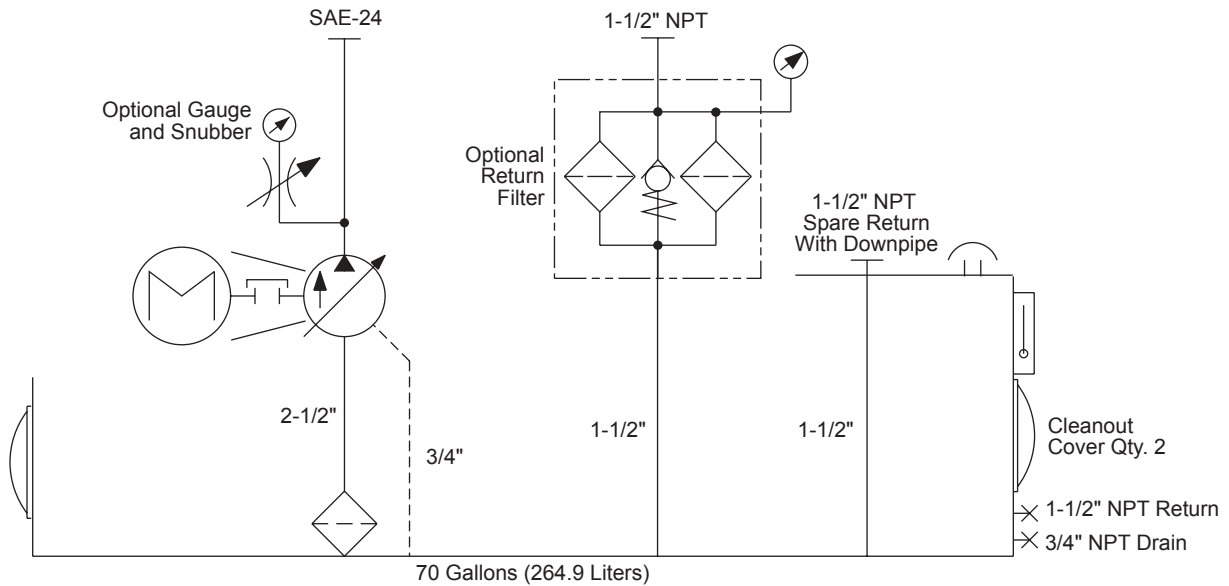
Motor Frame	A	B	C
254TC	36.21 (919.7)	7.00 (177.8)	40.41 (1026.4)
256TC	37.91 (962.9)	7.00 (177.8)	40.41 (1026.4)
284TC	39.84 (1011.9)	7.75 (196.8)	41.46 (1053.1)
286TC	41.34 (1050.0)	7.75 (196.8)	41.46 (1053.1)
324TC	43.25 (1098.5)	8.75 (222.2)	42.16 (1070.9)
326TC	43.25 (1098.5)	8.75 (222.2)	42.16 (1070.9)
364TC	46.88 (1190.8)	9.75 (247.6)	43.16 (1096.3)
365TC	46.88 (1190.8)	9.75 (247.6)	43.16 (1096.3)



# NFPA/JIC Style Power Units

70 GALLON CAPACITY

Schematic and Specifications - With PVR50 Vane Pump



GENERAL SPECIFICATIONS	R70
Reservoir Capacity	70 Gal. (254.9 liters)
Surface Area For Heat Transfer	21.16 sq. ft. (1.97 m <sup>2</sup> )
Heat Dissipation	Sq. Ft. of Vertical Steel x ΔT / 1000
Basic Weight (Less Oil, Pump, and Motor)	570 lbs. (258.6 kg)
Usable Gallons	10.12 Gal. (38.3 liters)
Gallons Per Inch Rise	5.29 Gal. (20.0 liters)
Capacity, Full to Top Plate	75.89 Gal. (287.2 liters)
Capacity, High on Sight Gauge	65.75 Gal. (248.9 liters)
Capacity, Low on Sight Gauge	48.75 Gal. (184.5 liters)
<b>Pump Data*</b>	
Flow Range	Up to 70 gpm (254.9 lpm)
Pressure Range	Up to 2000 psi (138 bar)
Power Range	Up to 75 HP (55.9 kW)

\* See Continental Hydraulics Vane Pump or Piston Pump Catalogs for complete codes and specifications.

# NFPA/JIC Style Power Units

70 GALLON CAPACITY

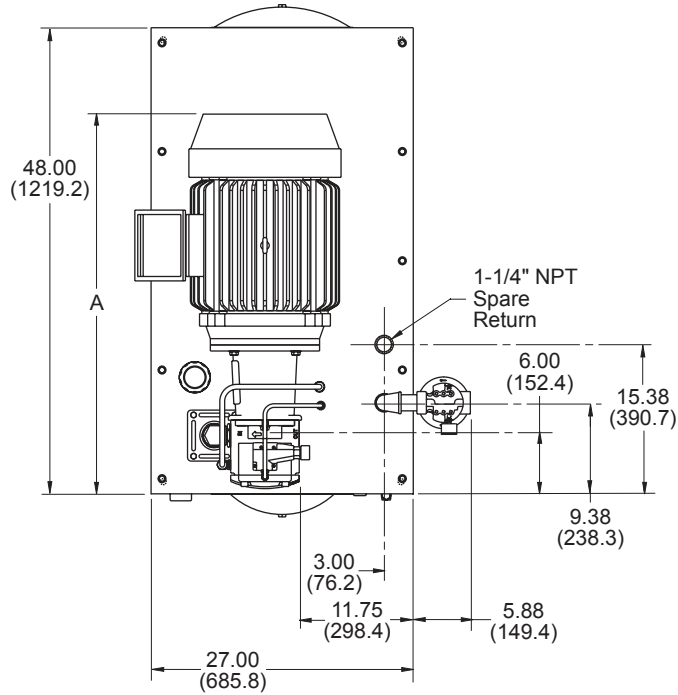
Dimension Drawing - With PVX11/15 Vane Pump

CONTINENTAL



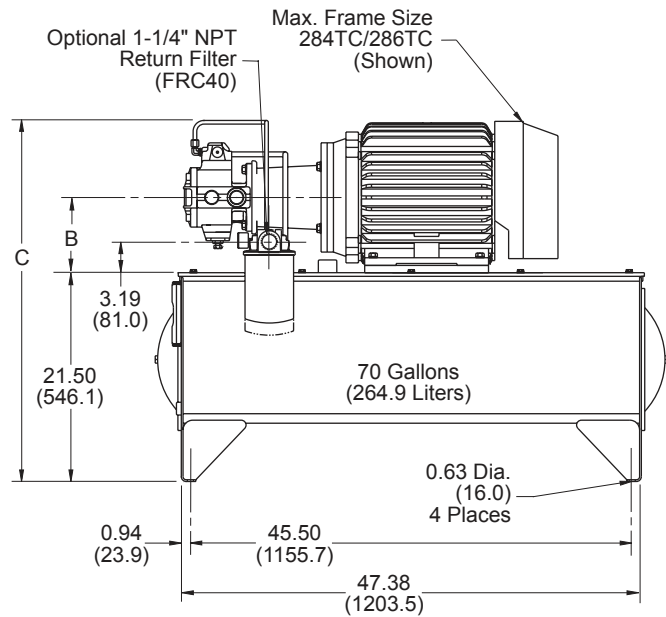
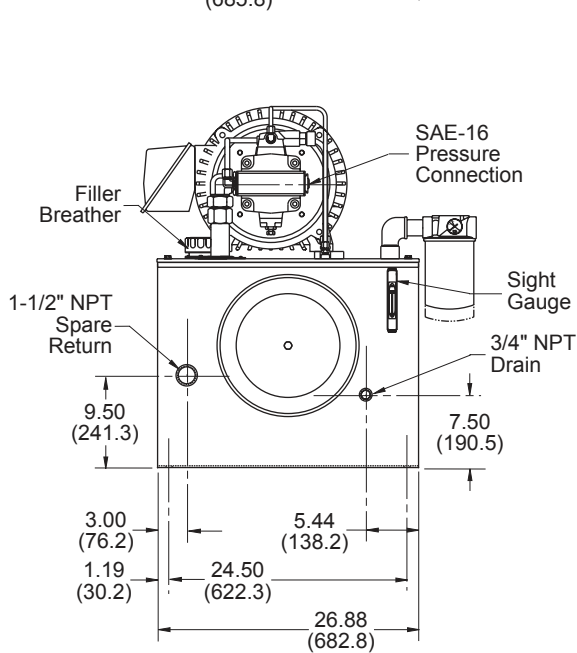
HYDRAULICS

Dimensions shown in: Inches (± .125)  
(millimeters (± 1 mm))



## Dimensions

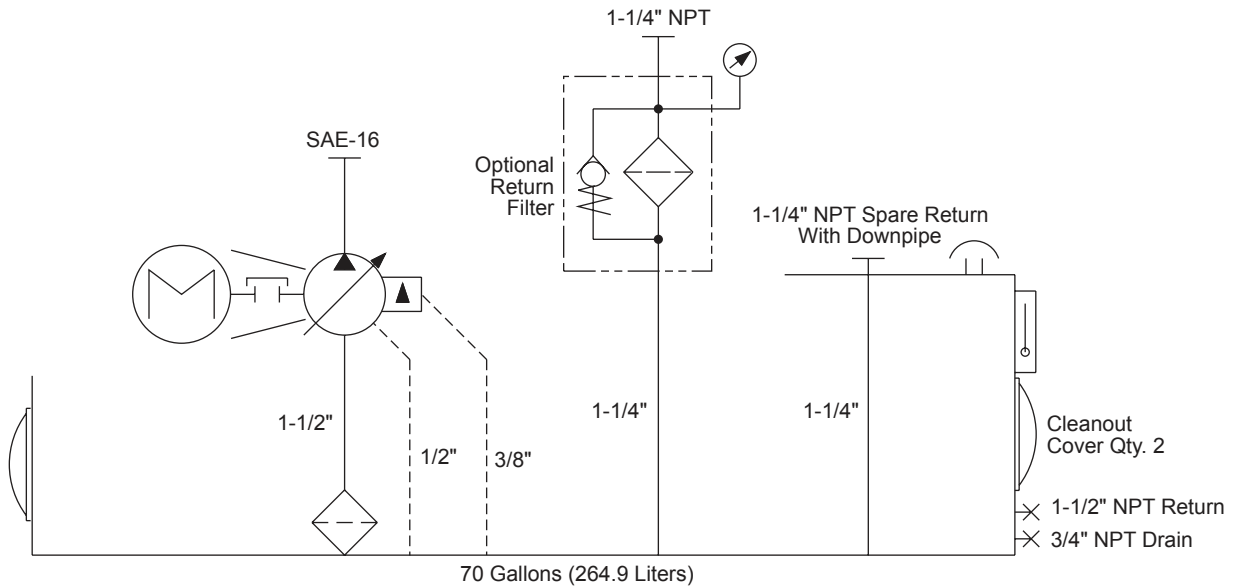
Motor Frame	A	B	C
182TC	24.50 (622.3)	5.75 (146.0)	35.75 (908.0)
184TC	25.49 (647.4)	5.75 (146.0)	35.75 (908.0)
213TC	28.02 (711.7)	6.50 (165.1)	36.50 (927.1)
215TC	29.51 (749.6)	6.50 (165.1)	36.50 (927.1)
254TC	33.85 (859.8)	7.00 (177.8)	37.00 (939.8)
256TC	33.55 (852.2)	7.00 (177.8)	37.00 (939.8)
284TC	37.35 (948.7)	7.75 (196.8)	37.75 (958.8)
286TC	38.85 (986.8)	7.75 (196.8)	37.75 (958.8)



# NFPA/JIC Style Power Units

70 GALLON CAPACITY

Schematic and Specifications - With PVX11/15 Vane Pump



GENERAL SPECIFICATIONS	R70
Reservoir Capacity	70 Gal. (254.9 liters)
Surface Area For Heat Transfer	21.16 sq. ft. (1.97 m <sup>2</sup> )
Heat Dissipation	Sq. Ft. of Vertical Steel x $\Delta T$ / 1000
Basic Weight (Less Oil, Pump, and Motor)	509 lbs. (230.9 kg)
Usable Gallons	18.68 Gal. (70.7 liters)
Gallons Per Inch Rise	5.29 Gal. (20.0 liters)
Capacity, Full to Top Plate	75.89 Gal. (287.2 liters)
Capacity, High on Sight Gauge	65.75 Gal. (248.9 liters)
Capacity, Low on Sight Gauge	48.75 Gal. (184.5 liters)
<b>Pump Data*</b>	
Flow Range	Up to 15 gpm (56.8 lpm)
Pressure Range	Up to 3000 psi (207 bar)
Power Range	Up to 30 HP (22.4 kW)

\* See Continental Hydraulics Vane Pump or Piston Pump Catalogs for complete codes and specifications.

# NFPA/JIC Style Power Units

70 GALLON CAPACITY

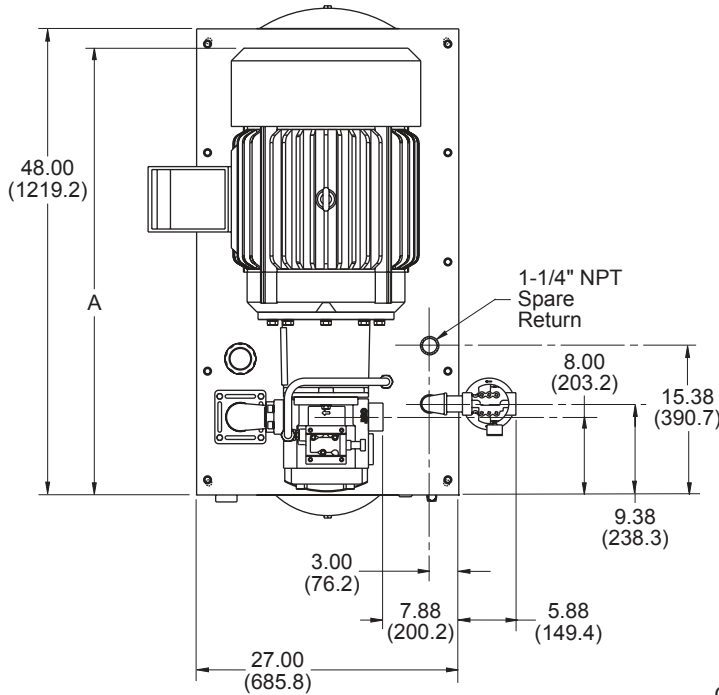
Dimension Drawing - With PVX20/29/36 Vane Pump

CONTINENTAL



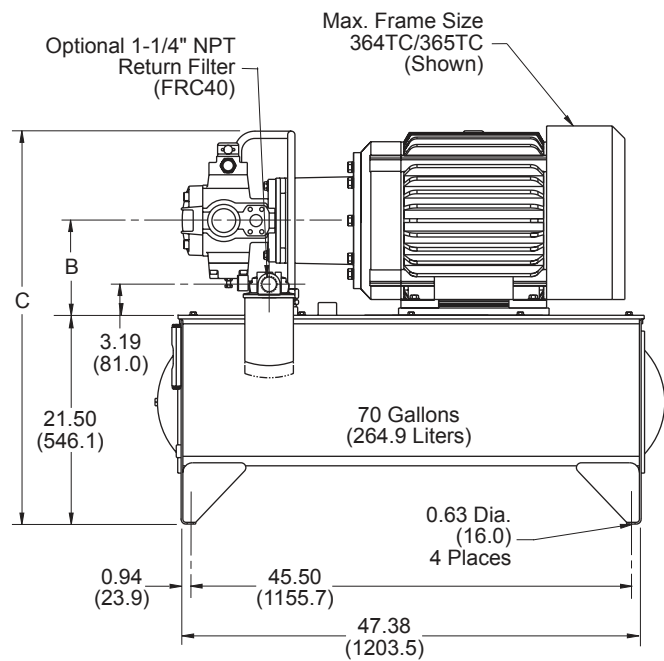
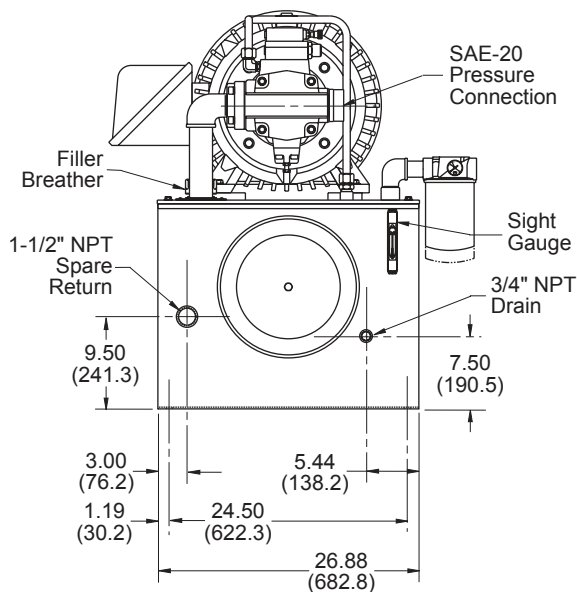
HYDRAULICS

Dimensions shown in: Inches (± .125)  
(millimeters (± 1 mm))



## Dimensions

Motor Frame	A	B	C
213TC	30.49 (774.4)	6.50 (165.1)	38.25 (971.5)
215TC	31.98 (812.3)	6.50 (165.1)	38.25 (971.5)
254TC	36.32 (922.5)	7.00 (177.8)	38.75 (984.2)
256TC	38.02 (965.7)	7.00 (177.8)	38.75 (984.2)
284TC	39.82 (1011.4)	7.75 (196.8)	39.50 (1003.3)
286TC	41.32 (1049.5)	7.75 (196.8)	39.50 (1003.3)
324TC	42.86 (1088.6)	8.75 (222.2)	40.50 (1028.7)
326TC	42.86 (1088.6)	8.75 (222.2)	40.50 (1028.7)
364TC	46.36 (1177.5)	9.75 (247.6)	41.50 (1054.1)
365TC	46.36 (1177.5)	9.75 (247.6)	41.50 (1054.1)

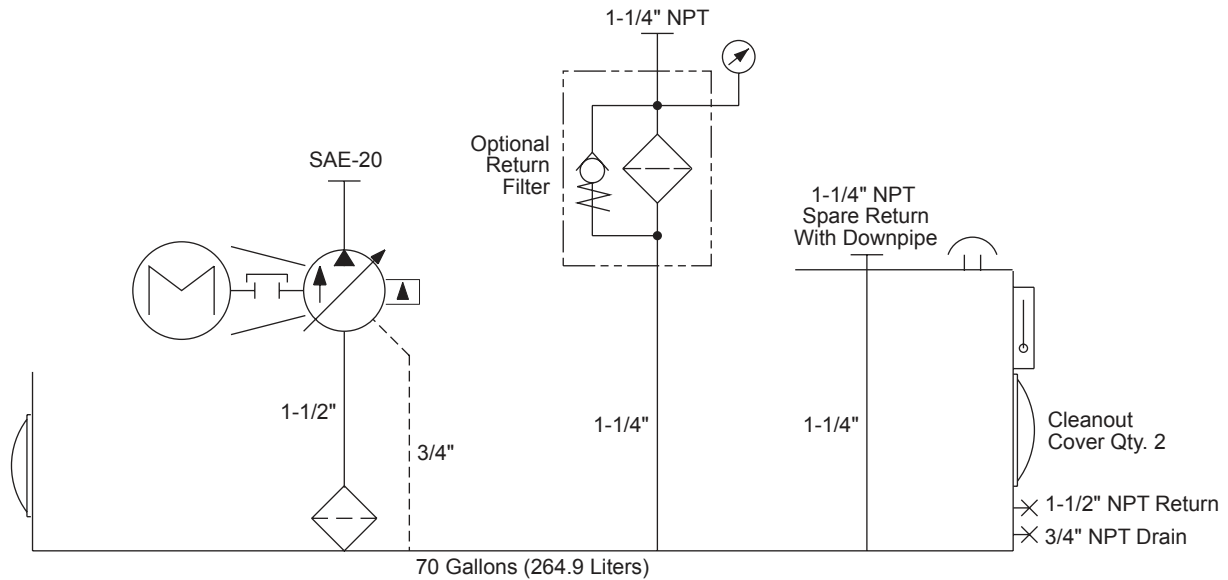




# NFPA/JIC Style Power Units

70 GALLON CAPACITY

Schematic and Specifications - With PVX20/29/36 Vane Pump



GENERAL SPECIFICATIONS	R70
Reservoir Capacity	70 Gal. (254.9 liters)
Surface Area For Heat Transfer	21.16 sq. ft. (1.97 m <sup>2</sup> )
Heat Dissipation	Sq. Ft. of Vertical Steel x $\Delta T$ / 1000
Basic Weight (Less Oil, Pump, and Motor)	515 lbs. (233.6 kg)
Usable Gallons	17.50 Gal. (66.2 liters)
Gallons Per Inch Rise	5.29 Gal. (20.0 liters)
Capacity, Full to Top Plate	75.89 Gal. (287.2 liters)
Capacity, High on Sight Gauge	65.75 Gal. (248.9 liters)
Capacity, Low on Sight Gauge	48.75 Gal. (184.5 liters)
<b>Pump Data*</b>	
Flow Range	Up to 36 gpm (136.3 lpm)
Pressure Range	Up to 3000 psi (207 bar)
Power Range	Up to 75 HP (55.9 kW)

\* See Continental Hydraulics Vane Pump or Piston Pump Catalogs for complete codes and specifications.

# NFPA/JIC Style Power Units

70 GALLON CAPACITY

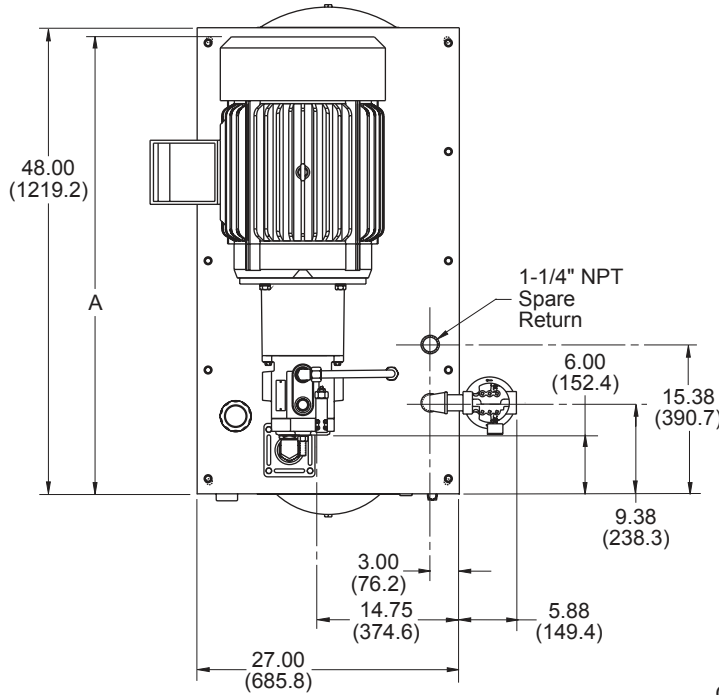
Dimension Drawing - With HPV20 Piston Pump

CONTINENTAL



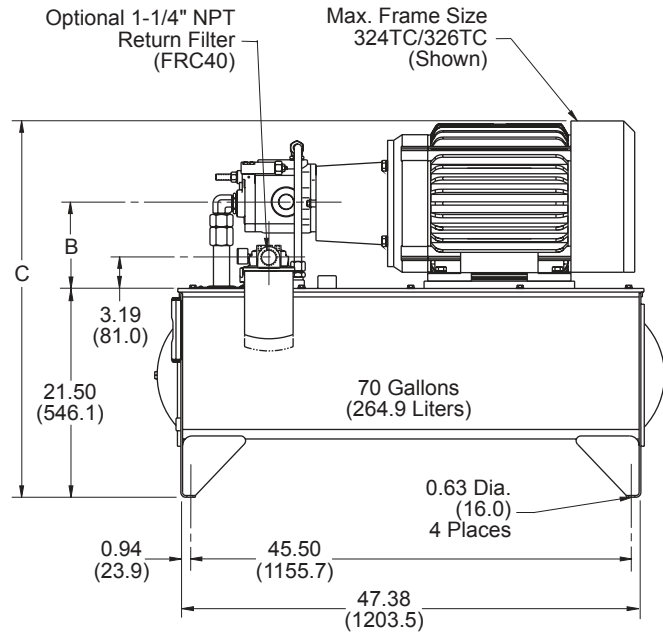
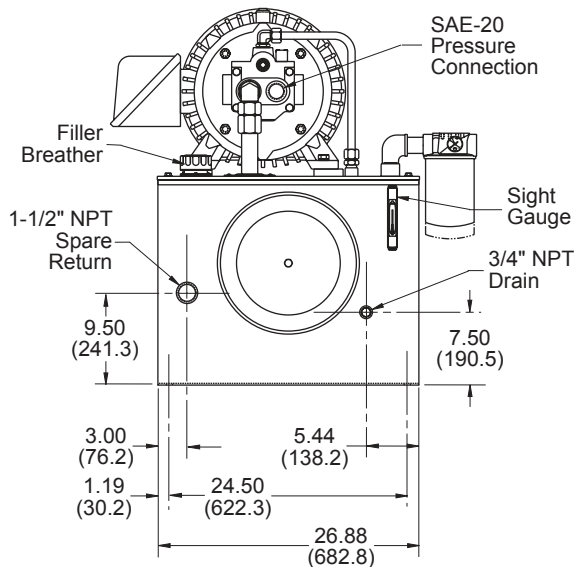
HYDRAULICS

Dimensions shown in: Inches (± .125)  
 (millimeters (± 1 mm))

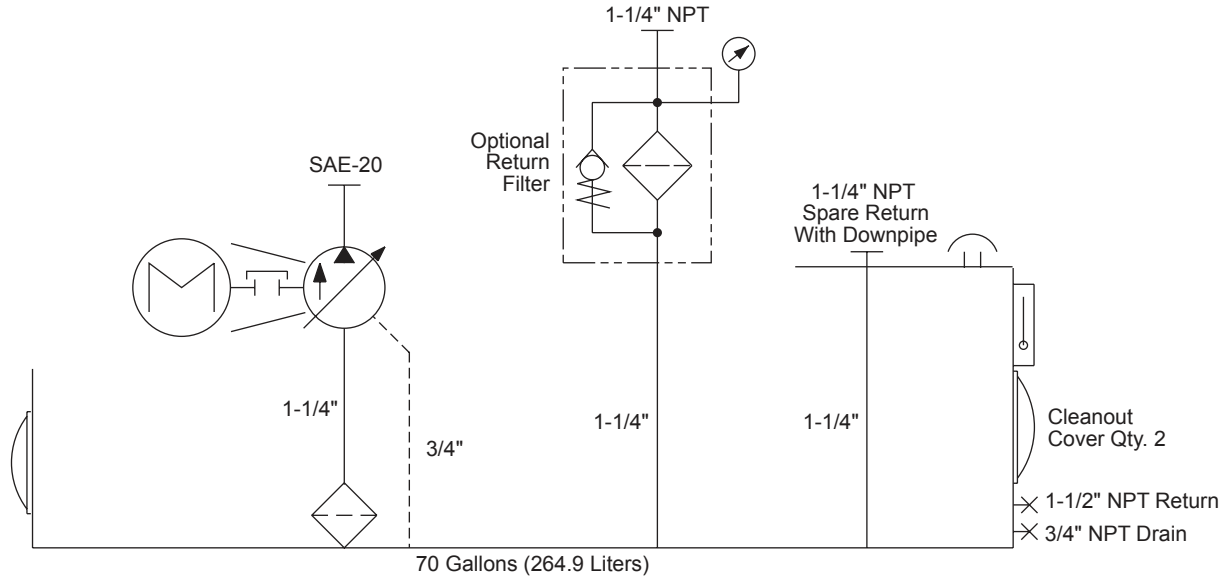


### Dimensions

Motor Frame	A	B	C
254TC	41.09 (1043.7)	7.00 (177.8)	35.13 (892.3)
256TC	42.79 (1086.9)	7.00 (177.8)	35.13 (892.3)
284TC	44.59 (1132.6)	7.75 (196.8)	36.63 (930.4)
286TC	46.09 (1170.7)	7.75 (196.8)	36.63 (930.4)
324TC	47.63 (1209.8)	8.75 (222.2)	38.60 (980.4)
326TC	47.63 (1209.8)	8.75 (222.2)	38.60 (980.4)



**NFPA/JIC Style Power Units**  
**70 GALLON CAPACITY**  
**Schematic and Specifications - With HPV20 Piston Pump**



GENERAL SPECIFICATIONS	R70
Reservoir Capacity	70 Gal. (254.9 liters)
Surface Area For Heat Transfer	21.16 sq. ft. (1.97 m <sup>2</sup> )
Heat Dissipation	Sq. Ft. of Vertical Steel x $\Delta T$ / 1000
Basic Weight (Less Oil, Pump, and Motor)	515 lbs. (233.6 kg)
Usable Gallons	17.50 Gal. (66.2 liters)
Gallons Per Inch Rise	5.29 Gal. (20.0 liters)
Capacity, Full to Top Plate	75.89 Gal. (287.2 liters)
Capacity, High on Sight Gauge	65.75 Gal. (248.9 liters)
Capacity, Low on Sight Gauge	48.75 Gal. (184.5 liters)
<b>Pump Data*</b>	
Flow Range	Up to 20 gpm (75.7 lpm)
Pressure Range	Up to 3500 psi (241 bar)
Power Range	Up to 50 HP (37.3 kW)

\* See Continental Hydraulics Vane Pump or Piston Pump Catalogs for complete codes and specifications.

# NFPA/JIC Style Power Units

70 GALLON CAPACITY

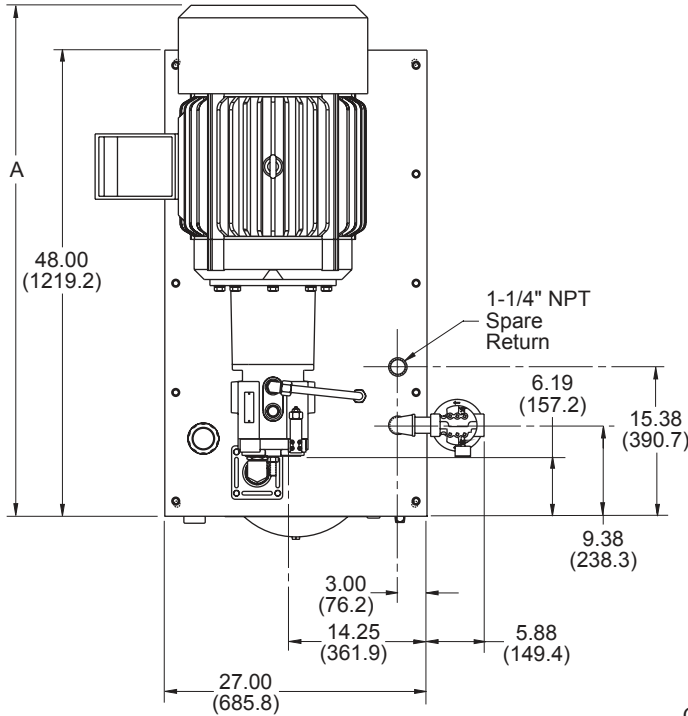
Dimension Drawing - With HPV29 Piston Pump

CONTINENTAL



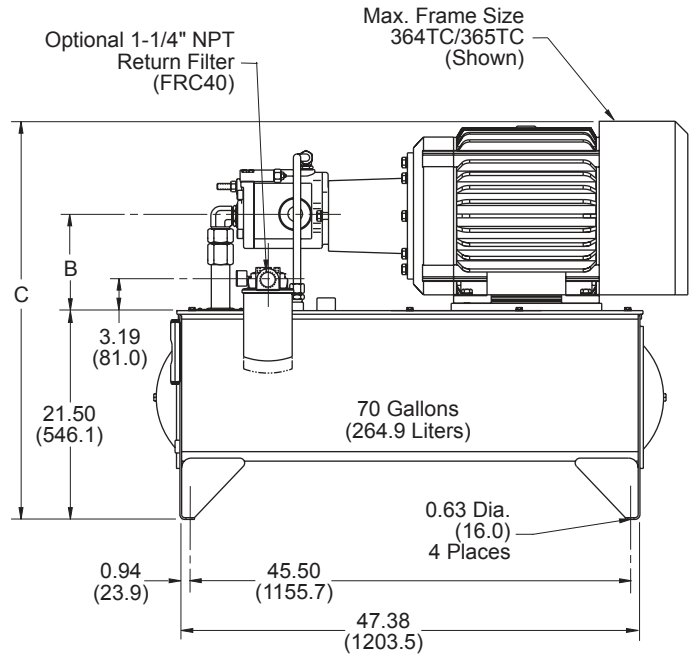
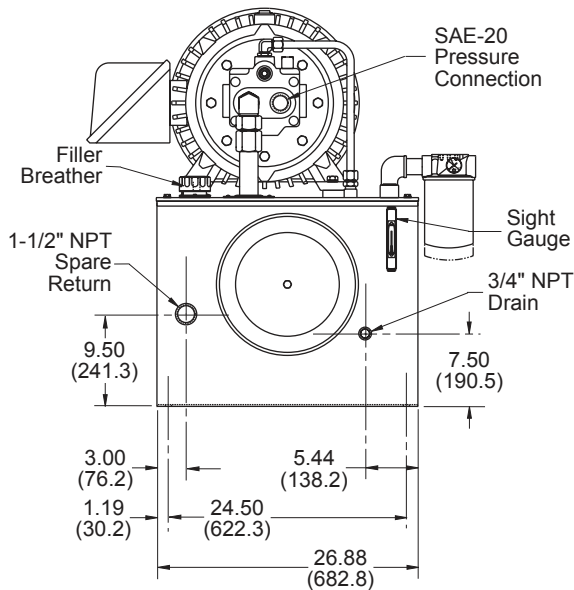
HYDRAULICS

Dimensions shown in: Inches (± .125)  
(millimeters (± 1 mm))



## Dimensions

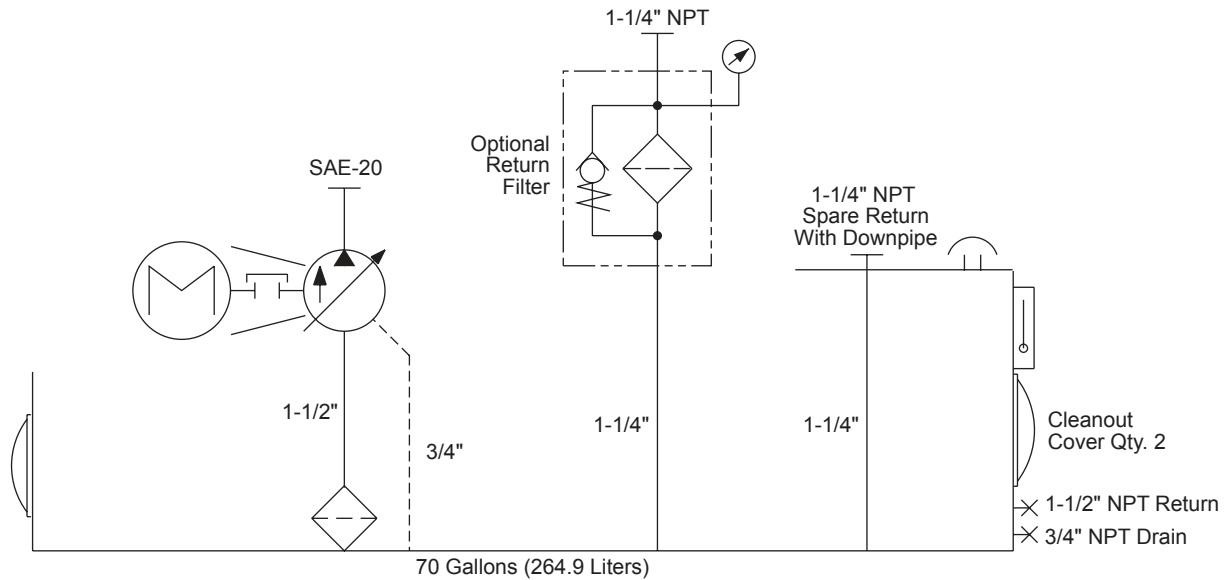
Motor Frame	A	B	C
254TC	41.91 (1064.5)	7.00 (177.8)	35.13 (892.3)
256TC	43.61 (1107.7)	7.00 (177.8)	35.13 (892.3)
284TC	45.41 (1153.4)	7.75 (196.8)	36.63 (930.4)
286TC	46.91 (1191.5)	7.75 (196.8)	36.63 (930.4)
324TC	48.45 (1230.6)	8.75 (222.2)	38.60 (980.4)
326TC	48.45 (1230.6)	8.75 (222.2)	38.60 (980.4)
364TC	52.57 (1335.3)	9.75 (247.6)	40.50 (1028.7)
365TC	52.57 (1335.3)	9.75 (247.6)	40.50 (1028.7)



# NFPA/JIC Style Power Units

70 GALLON CAPACITY

Schematic and Specifications - With HPV29 Piston Pump



GENERAL SPECIFICATIONS	R70
Reservoir Capacity	70 Gal. (254.9 liters)
Surface Area For Heat Transfer	21.16 sq. ft. (1.97 m <sup>2</sup> )
Heat Dissipation	Sq. Ft. of Vertical Steel x $\Delta T$ / 1000
Basic Weight (Less Oil, Pump, and Motor)	515 lbs. (233.6 kg)
Usable Gallons	17.50 Gal. (66.2 liters)
Gallons Per Inch Rise	5.29 Gal. (20.0 liters)
Capacity, Full to Top Plate	75.89 Gal. (287.2 liters)
Capacity, High on Sight Gauge	65.75 Gal. (248.9 liters)
Capacity, Low on Sight Gauge	48.75 Gal. (184.5 liters)
<b>Pump Data*</b>	
Flow Range	Up to 29 gpm (109.8 lpm)
Pressure Range	Up to 3000 psi (207 bar)
Power Range	Up to 75 HP (55.9 kW)

\* See Continental Hydraulics Vane Pump or Piston Pump Catalogs for complete codes and specifications.

# NFPA/JIC Style Power Units

90 GALLON CAPACITY

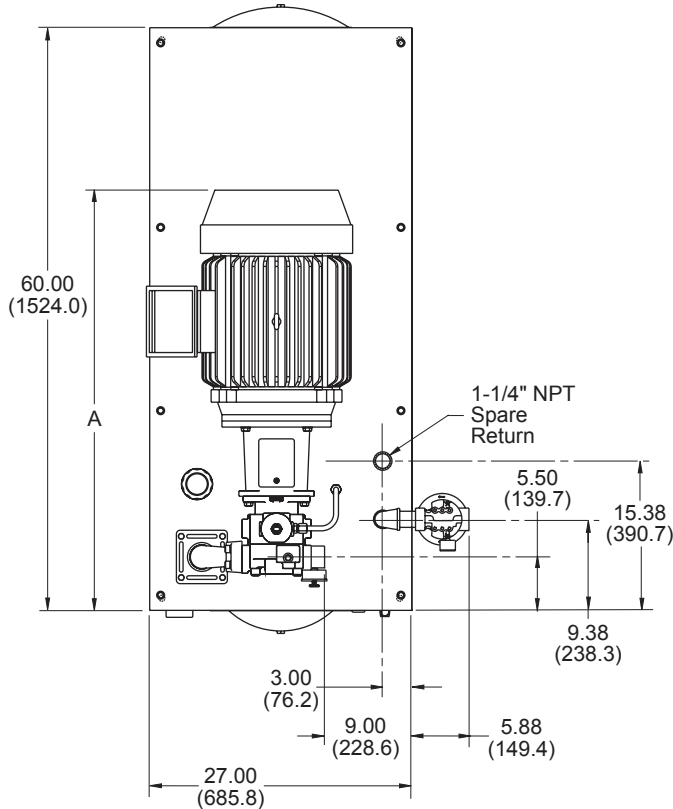
Dimension Drawing - With PVR15 Vane Pump

CONTINENTAL



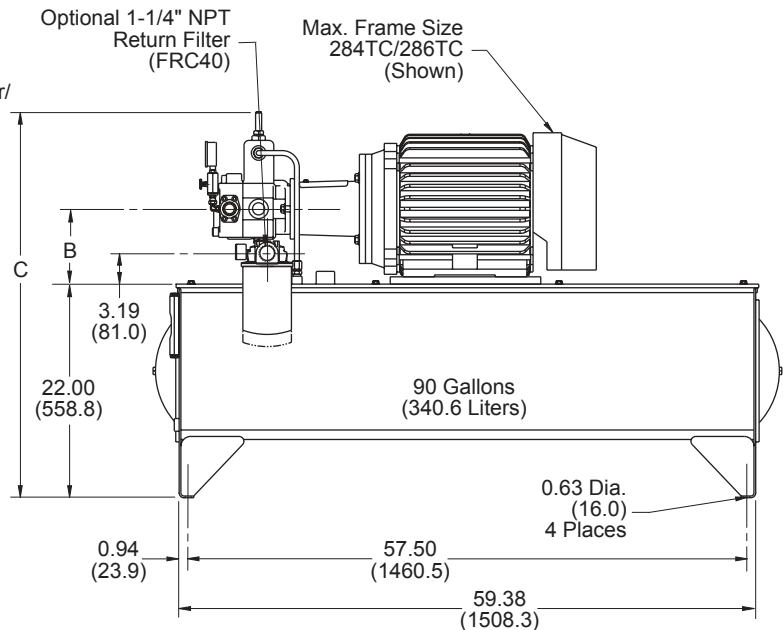
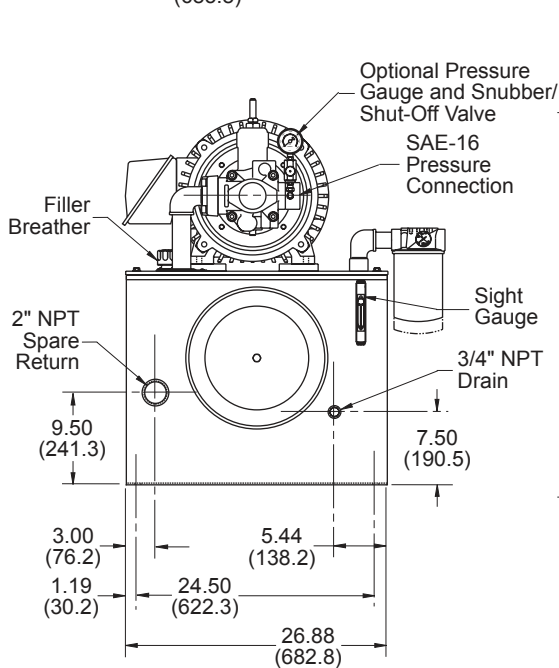
HYDRAULICS

Dimensions shown in: Inches (± .125)  
 (millimeters (± 1 mm))



### Dimensions

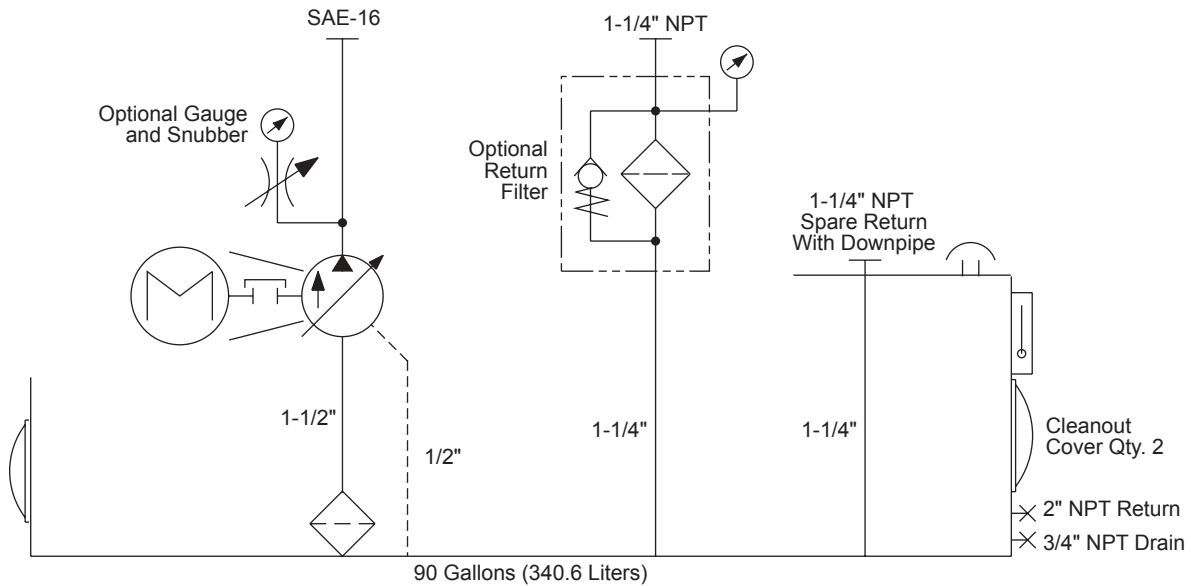
Motor Frame	A	B	C
182TC	29.18 (741.2)	5.75 (146.0)	37.75 (958.8)
184TC	30.17 (766.3)	5.75 (146.0)	37.75 (958.8)
213TC	32.20 (817.9)	6.50 (165.1)	38.50 (977.9)
215TC	33.69 (855.7)	6.50 (165.1)	38.50 (977.9)
254TC	38.03 (966.0)	7.00 (177.8)	39.00 (990.6)
256TC	39.73 (1009.1)	7.00 (177.8)	39.00 (990.6)
284TC	41.53 (1054.9)	7.75 (196.8)	39.75 (1009.6)
286TC	43.03 (1093.0)	7.75 (196.8)	39.75 (1009.6)



# NFPA/JIC Style Power Units

90 GALLON CAPACITY

Schematic and Specifications - With PVR15 Vane Pump



GENERAL SPECIFICATIONS	R90
Reservoir Capacity	90 Gal. (340.6 liters)
Surface Area For Heat Transfer	26.00 sq. ft. (2.42 m <sup>2</sup> )
Heat Dissipation	Sq. Ft. of Vertical Steel x $\Delta T$ / 1000
Basic Weight (Less Oil, Pump, and Motor)	590 lbs. (267.6 kg)
Usable Gallons	29.14 Gal. (110.3 liters)
Gallons Per Inch Rise	6.64 Gal. (25.1 liters)
Capacity, Full to Top Plate	99.00 Gal. (374.7 liters)
Capacity, High on Sight Gauge	86.43 Gal. (327.1 liters)
Capacity, Low on Sight Gauge	65.13 Gal. (246.5 liters)
<b>Pump Data*</b>	
Flow Range	Up to 30 gpm (113.5 lpm)
Pressure Range	Up to 2000 psi (138 bar)
Power Range	Up to 30 HP (22.4 kW)

\* See Continental Hydraulics Vane Pump or Piston Pump Catalogs for complete codes and specifications.

# NFPA/JIC Style Power Units

90 GALLON CAPACITY

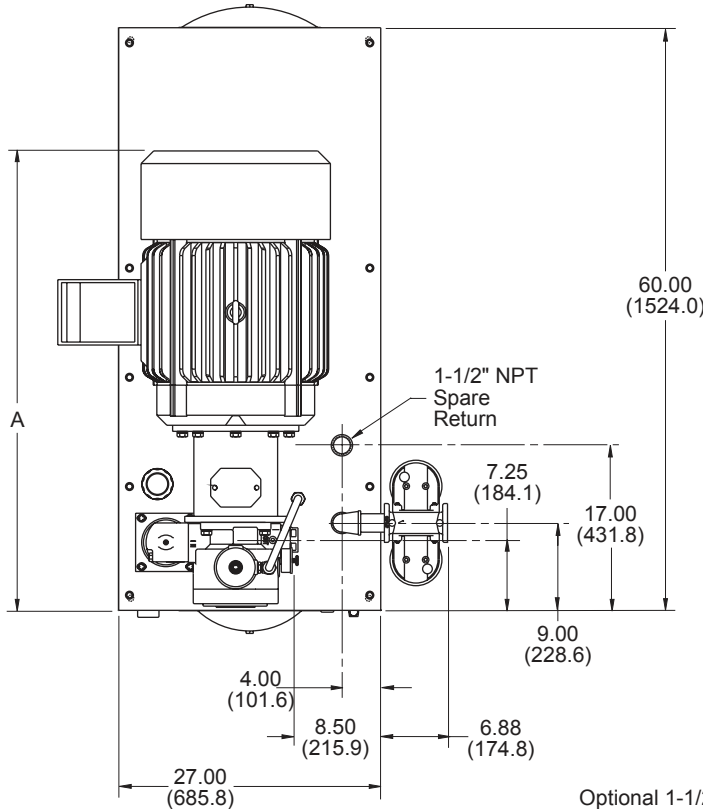
Dimension Drawing - With PVR50 Vane Pump

CONTINENTAL



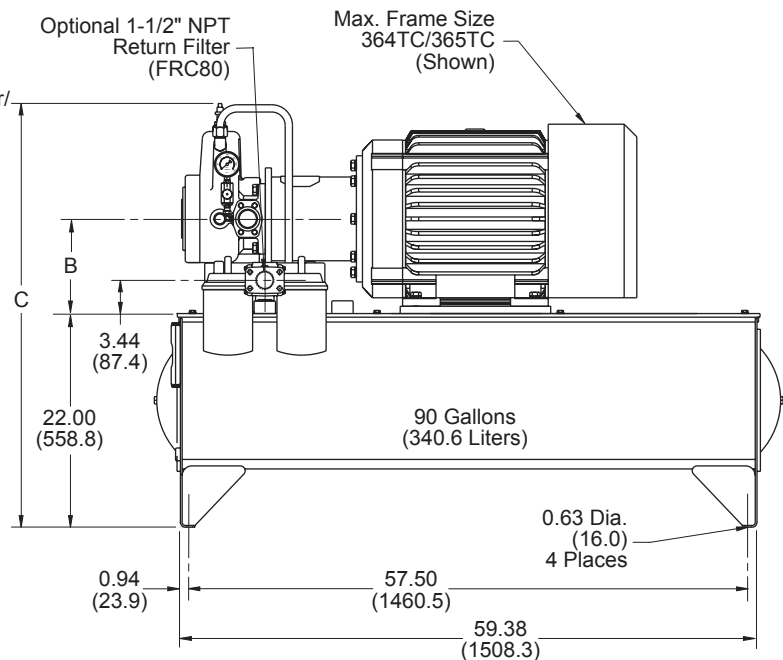
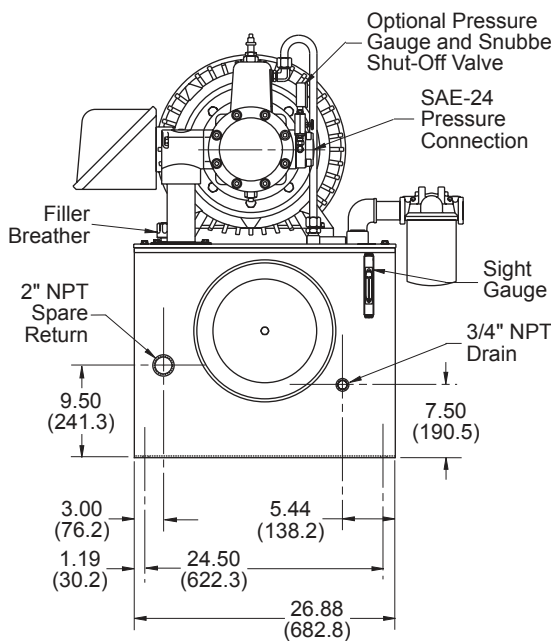
HYDRAULICS

Dimensions shown in: Inches (± .125)  
 (millimeters (± 1 mm))



### Dimensions

Motor Frame	A	B	C
254TC	36.21 (919.7)	7.00 (177.8)	40.91 (1039.1)
256TC	37.91 (962.9)	7.00 (177.8)	40.91 (1039.1)
284TC	39.84 (1011.9)	7.75 (196.8)	41.66 (1058.2)
286TC	41.34 (1050.0)	7.75 (196.8)	41.66 (1058.2)
324TC	43.25 (1098.5)	8.75 (222.2)	42.56 (1083.6)
326TC	43.25 (1098.5)	8.75 (222.2)	42.56 (1083.6)
364TC	46.88 (1190.8)	9.75 (247.6)	43.66 (1109.0)
365TC	46.88 (1190.8)	9.75 (247.6)	43.66 (1109.0)

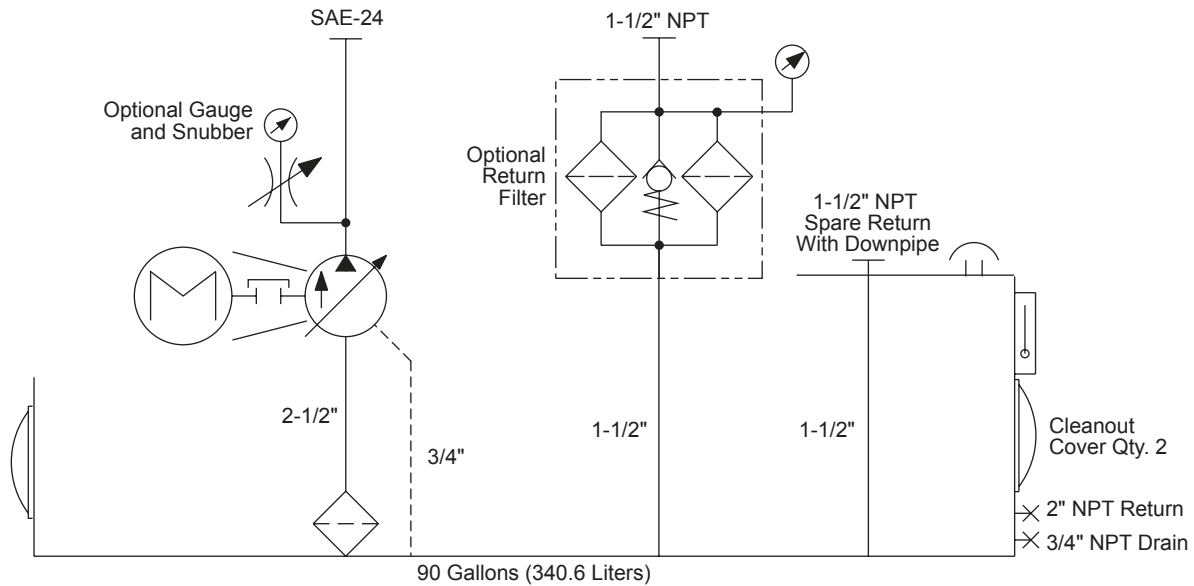




# NFPA/JIC Style Power Units

90 GALLON CAPACITY

Schematic and Specifications - With PVR50 Vane Pump



GENERAL SPECIFICATIONS	R90
Reservoir Capacity	90 Gal. (340.6 liters)
Surface Area For Heat Transfer	26.00 sq. ft. (2.42 m <sup>2</sup> )
Heat Dissipation	Sq. Ft. of Vertical Steel x $\Delta T$ / 1000
Basic Weight (Less Oil, Pump, and Motor)	650 lbs. (294.8 kg)
Usable Gallons	17.50 Gal. (66.2 liters)
Gallons Per Inch Rise	6.64 Gal. (25.1 liters)
Capacity, Full to Top Plate	99.00 Gal. (374.7 liters)
Capacity, High on Sight Gauge	86.43 Gal. (327.1 liters)
Capacity, Low on Sight Gauge	65.13 Gal. (246.5 liters)
<b>Pump Data*</b>	
Flow Range	Up to 70 gpm (264.9 lpm)
Pressure Range	Up to 2000 psi (138 bar)
Power Range	Up to 75 HP (55.9 kW)

\* See Continental Hydraulics Vane Pump or Piston Pump Catalogs for complete codes and specifications.

# NFPA/JIC Style Power Units

90 GALLON CAPACITY

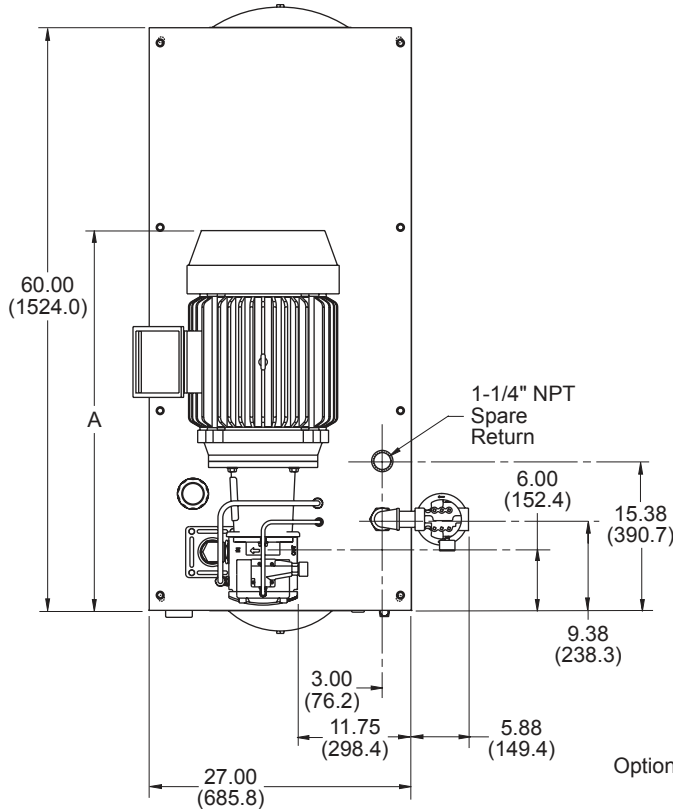
Dimension Drawing - With PVX11/15 Vane Pump

CONTINENTAL



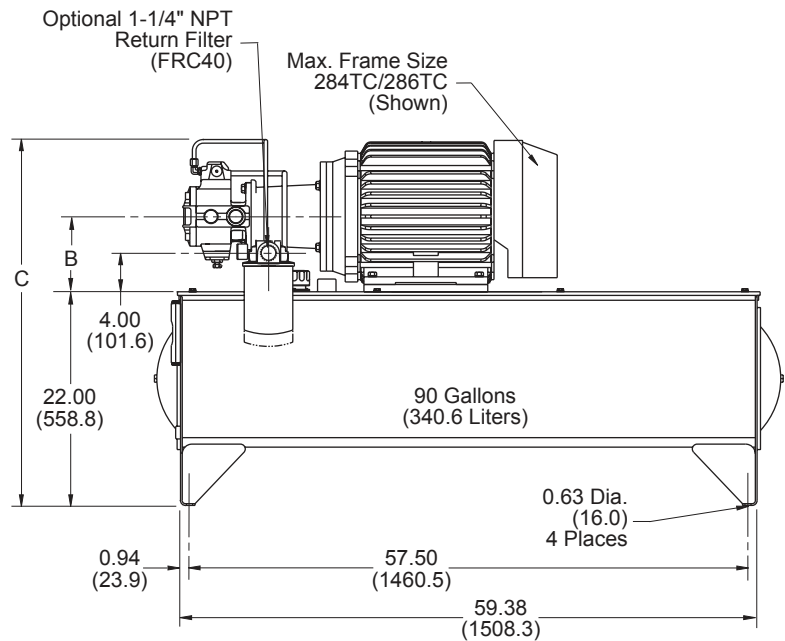
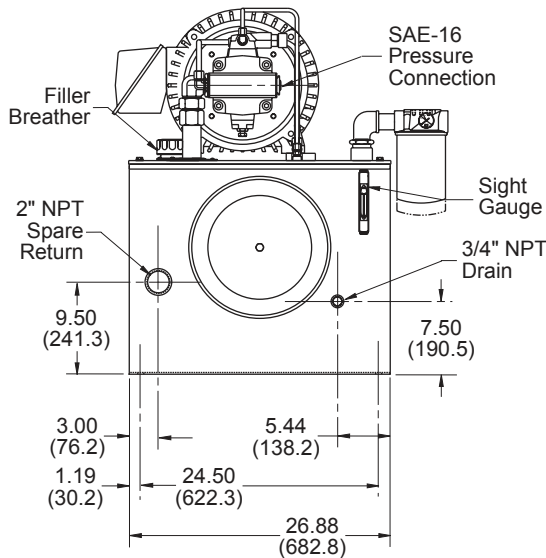
HYDRAULICS

Dimensions shown in: Inches (± .125)  
 (millimeters (± 1 mm))



### Dimensions

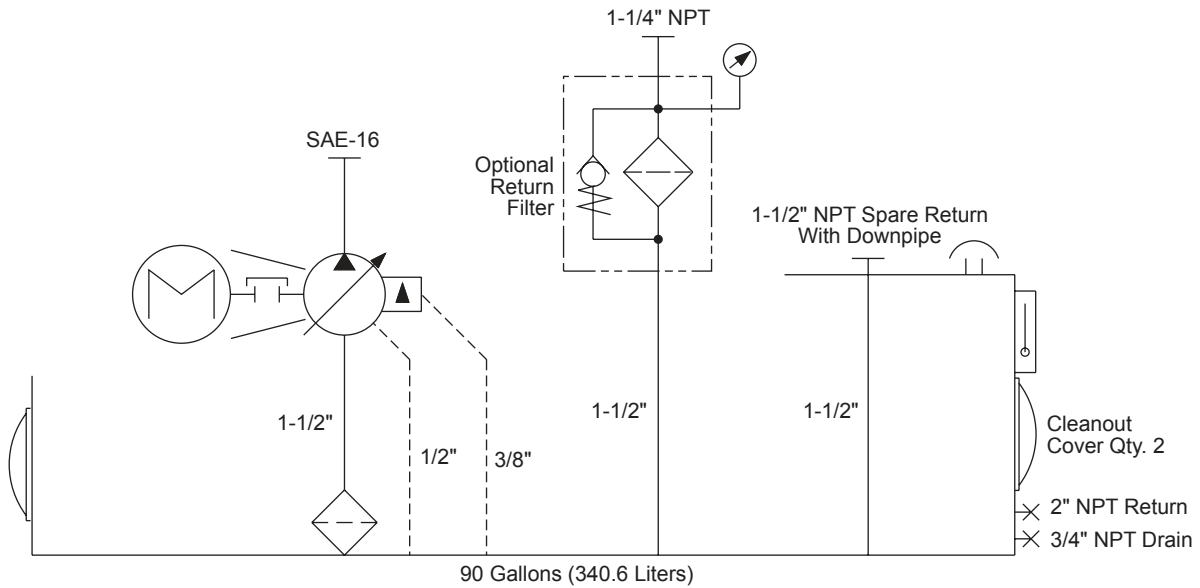
Motor Frame	A	B	C
182TC	24.50 (622.3)	5.75 (146.0)	36.25 (920.7)
184TC	25.50 (647.7)	5.75 (146.0)	36.25 (920.7)
213TC	28.02 (711.7)	6.50 (165.1)	37.00 (939.8)
215TC	29.50 (749.3)	6.50 (165.1)	37.00 (939.8)
254TC	33.85 (859.8)	7.00 (177.8)	37.50 (952.5)
256TC	33.55 (852.2)	7.00 (177.8)	37.50 (952.5)
284TC	37.35 (948.7)	7.75 (196.8)	38.25 (971.5)
286TC	38.85 (986.8)	7.75 (196.8)	38.25 (971.5)



# NFPA/JIC Style Power Units

90 GALLON CAPACITY

Schematic and Specifications - With PVX11/15 Vane Pump



GENERAL SPECIFICATIONS	R90
Reservoir Capacity	90 Gal. (340.6 liters)
Surface Area For Heat Transfer	26.00 sq. ft. (2.42 m <sup>2</sup> )
Heat Dissipation	Sq. Ft. of Vertical Steel x $\Delta T$ / 1000
Basic Weight (Less Oil, Pump, and Motor)	589 lbs. (267.2 kg)
Usable Gallons	29.14 Gal. (110.3 liters)
Gallons Per Inch Rise	6.64 Gal. (25.1 liters)
Capacity, Full to Top Plate	99.00 Gal. (374.7 liters)
Capacity, High on Sight Gauge	86.43 Gal. (327.1 liters)
Capacity, Low on Sight Gauge	65.13 Gal. (246.5 liters)
<b>Pump Data*</b>	
Flow Range	Up to 15 gpm (56.8 lpm)
Pressure Range	Up to 3000 psi (207 bar)
Power Range	Up to 30 HP (22.4 kW)

\* See Continental Hydraulics Vane Pump or Piston Pump Catalogs for complete codes and specifications.

# NFPA/JIC Style Power Units

90 GALLON CAPACITY

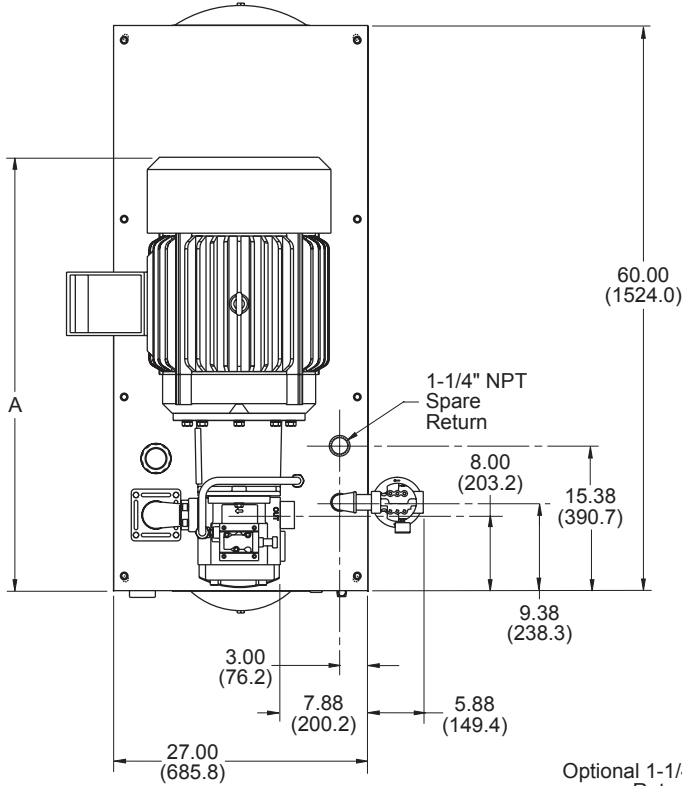
Dimension Drawing - With PVX20/29/36 Vane Pump

CONTINENTAL



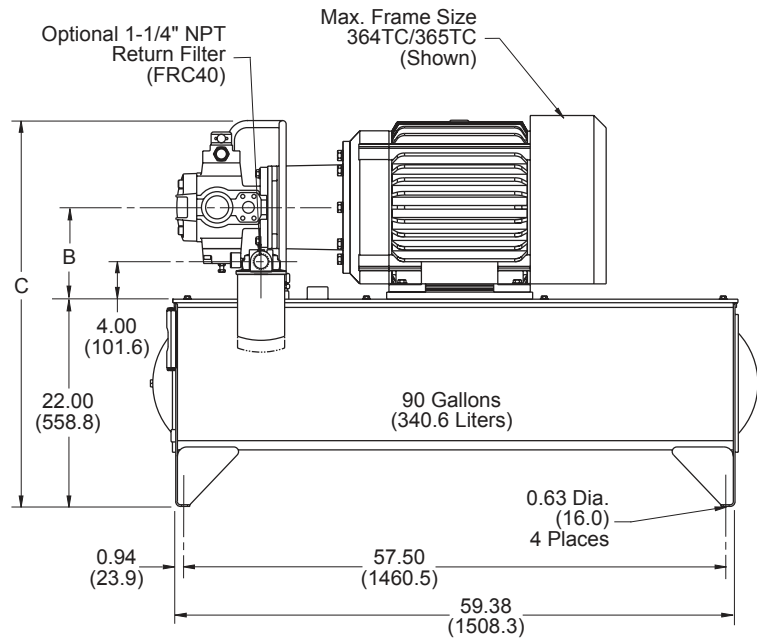
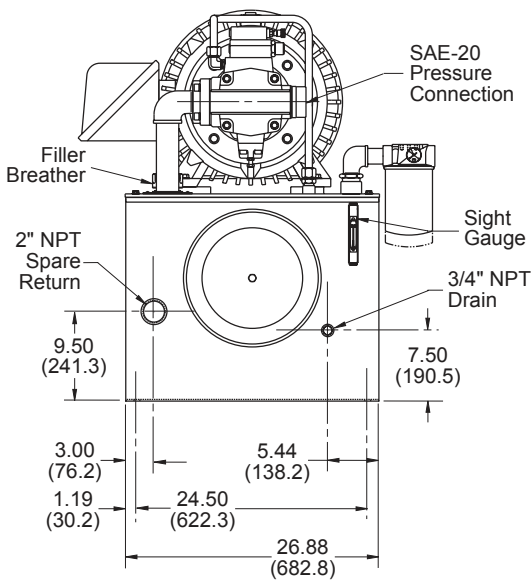
HYDRAULICS

Dimensions shown in: Inches (± .125)  
 (millimeters (± 1 mm))



### Dimensions

Motor Frame	A	B	C
213TC	30.50 (774.7)	6.50 (165.1)	38.75 (984.2)
215TC	32.00 (812.8)	6.50 (165.1)	38.75 (984.2)
254TC	36.32 (922.5)	7.00 (177.8)	39.25 (996.9)
256TC	38.00 (965.2)	7.00 (177.8)	39.25 (996.9)
284TC	39.82 (1011.4)	7.75 (196.8)	40.00 (1016.0)
286TC	41.32 (1049.5)	7.75 (196.8)	40.00 (1016.0)
324TC	42.86 (1088.6)	8.75 (222.2)	41.00 (1041.4)
326TC	42.86 (1088.6)	8.75 (222.2)	41.00 (1041.4)
364TC	46.36 (1177.5)	9.75 (247.6)	42.00 (1066.8)
365TC	46.36 (1177.5)	9.75 (247.6)	42.00 (1066.8)

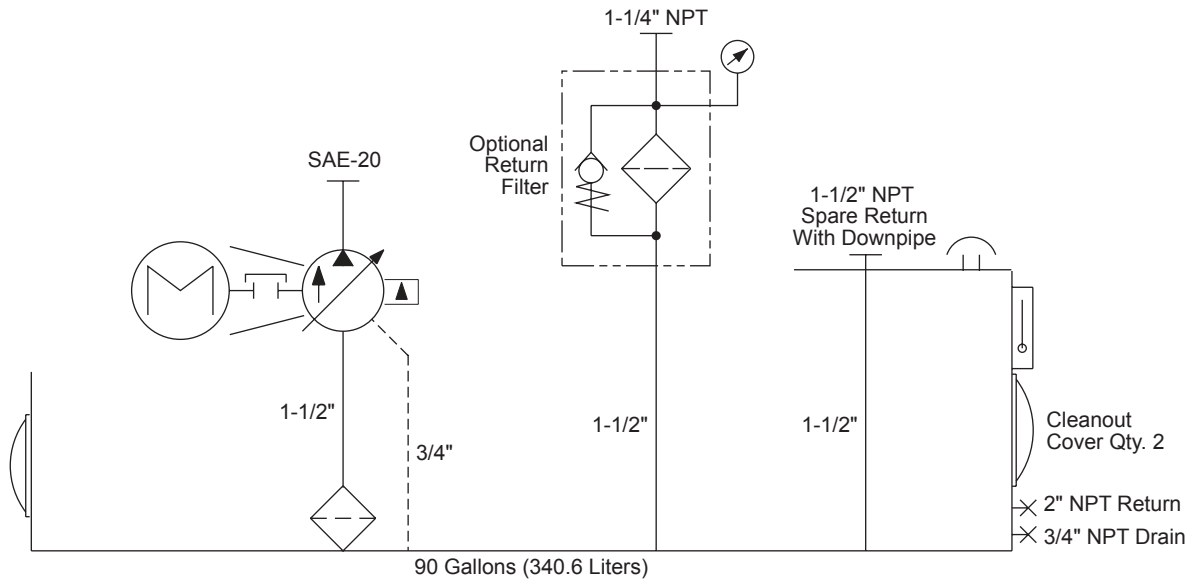




# NFPA/JIC Style Power Units

90 GALLON CAPACITY

Schematic and Specifications - With PVX20/29/36 Vane Pump



GENERAL SPECIFICATIONS	R90
Reservoir Capacity	90 Gal. (340.6 liters)
Surface Area For Heat Transfer	26.00 sq. ft. (2.42 m <sup>2</sup> )
Heat Dissipation	Sq. Ft. of Vertical Steel x $\Delta T$ / 1000
Basic Weight (Less Oil, Pump, and Motor)	594 lbs. (269.4 kg)
Usable Gallons	25.75 Gal. (97.5 liters)
Gallons Per Inch Rise	6.64 Gal. (25.1 liters)
Capacity, Full to Top Plate	99.00 Gal. (374.7 liters)
Capacity, High on Sight Gauge	86.43 Gal. (327.1 liters)
Capacity, Low on Sight Gauge	65.13 Gal. (246.5 liters)
<b>Pump Data*</b>	
Flow Range	Up to 36 gpm (136.3 lpm)
Pressure Range	Up to 3000 psi (207 bar)
Power Range	Up to 75 HP (55.9 kW)

\* See Continental Hydraulics Vane Pump or Piston Pump Catalogs for complete codes and specifications.

# NFPA/JIC Style Power Units

90 GALLON CAPACITY

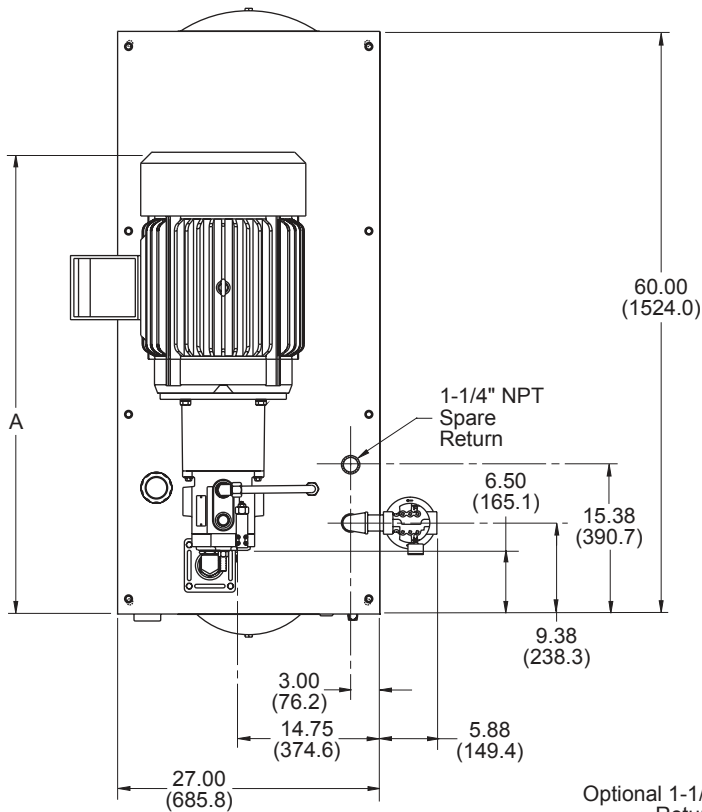
Dimension Drawing - With HPV20 Piston Pump

CONTINENTAL



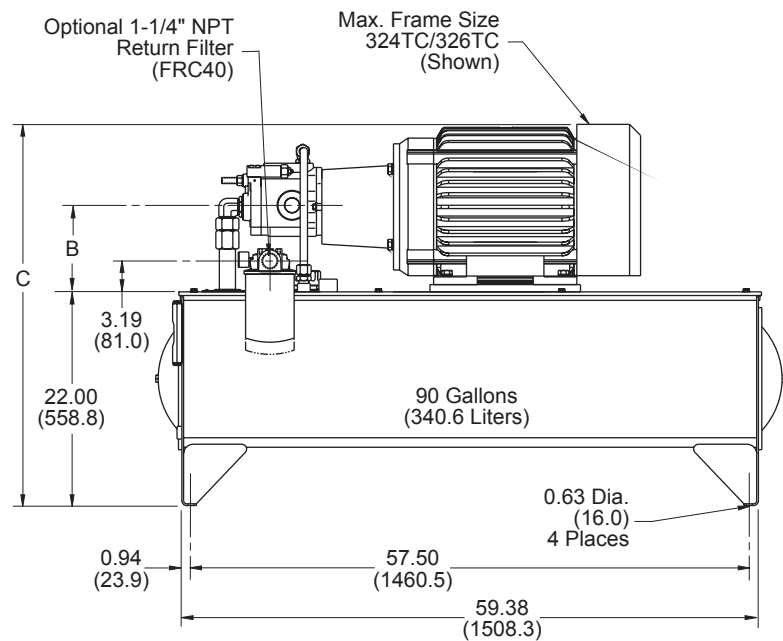
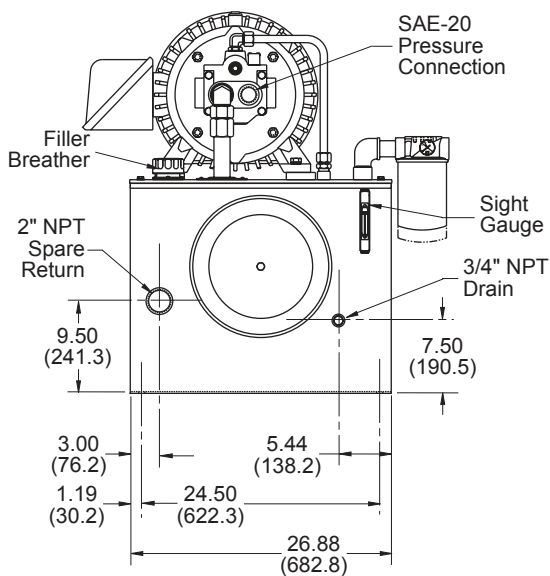
HYDRAULICS

Dimensions shown in: Inches (± .125)  
 (millimeters (± 1 mm))



### Dimensions

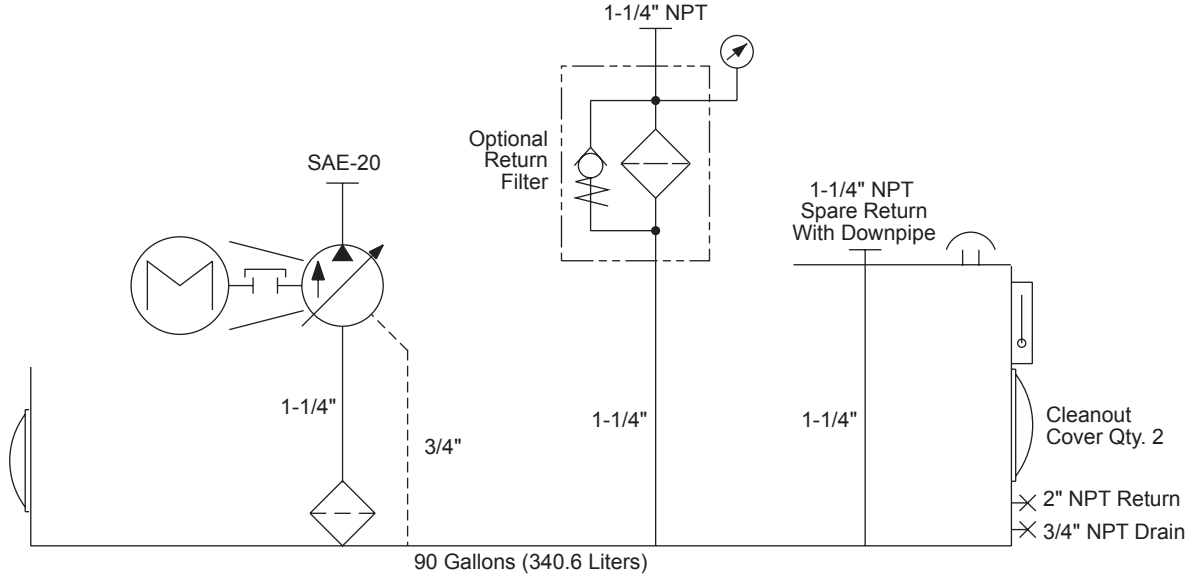
Motor Frame	A	B	C
254TC	41.59 (1056.4)	7.00 (177.8)	35.63 (905.0)
256TC	43.29 (1099.6)	7.00 (177.8)	35.63 (905.0)
284TC	45.09 (1145.3)	7.75 (196.8)	37.13 (943.1)
286TC	46.59 (1183.4)	7.75 (196.8)	37.13 (943.1)
324TC	48.13 (1222.5)	8.75 (222.2)	39.10 (993.1)
326TC	48.13 (1222.5)	8.75 (222.2)	39.10 (993.1)



# NFPA/JIC Style Power Units

90 GALLON CAPACITY

Schematic and Specifications - With HPV20 Piston Pump



GENERAL SPECIFICATIONS	R90
Reservoir Capacity	90 Gal. (340.6 liters)
Surface Area For Heat Transfer	26.00 sq. ft. (2.42 m <sup>2</sup> )
Heat Dissipation	Sq. Ft. of Vertical Steel x $\Delta T$ / 1000
Basic Weight (Less Oil, Pump, and Motor)	596 lbs. (270.3 kg)
Usable Gallons	25.75 Gal. (97.5 liters)
Gallons Per Inch Rise	6.64 Gal. (25.1 liters)
Capacity, Full to Top Plate	99.00 Gal. (374.7 liters)
Capacity, High on Sight Gauge	86.43 Gal. (327.1 liters)
Capacity, Low on Sight Gauge	65.13 Gal. (246.5 liters)
<b>Pump Data*</b>	
Flow Range	Up to 20 gpm (75.7 lpm)
Pressure Range	Up to 3500 psi (241 bar)
Power Range	Up to 50 HP (37.3 kW)

\* See Continental Hydraulics Vane Pump or Piston Pump Catalogs for complete codes and specifications.

# NFPA/JIC Style Power Units

90 GALLON CAPACITY

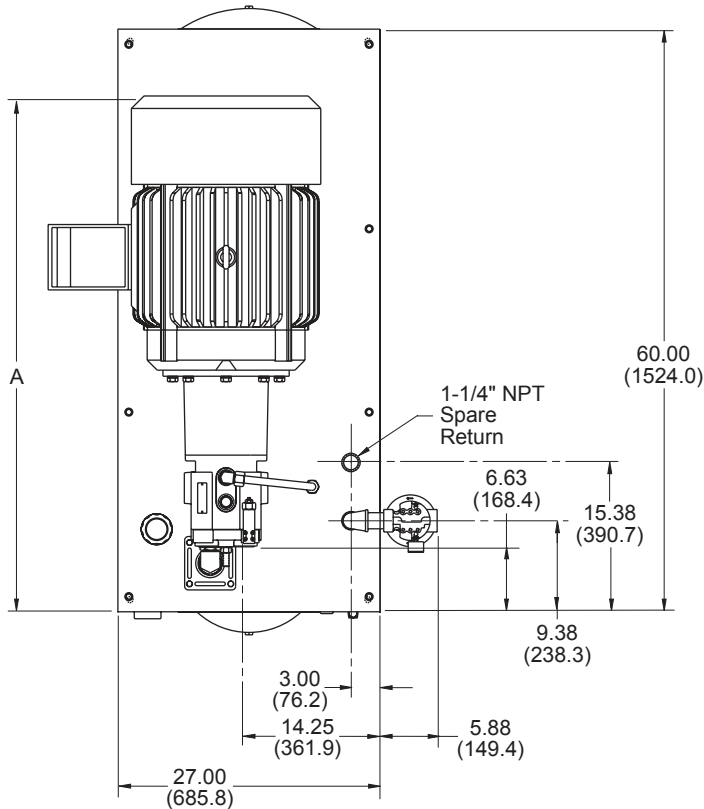
Dimension Drawing - With HPV29 Piston Pump

CONTINENTAL



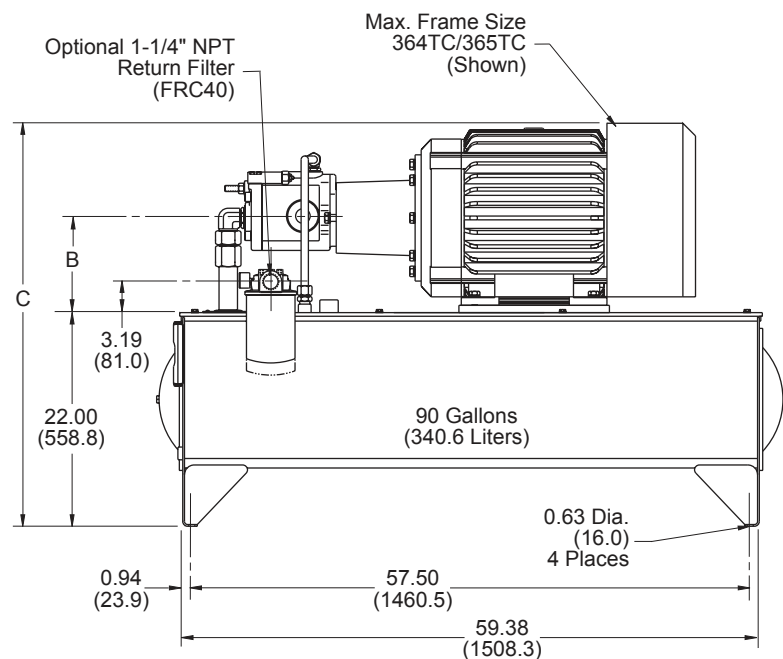
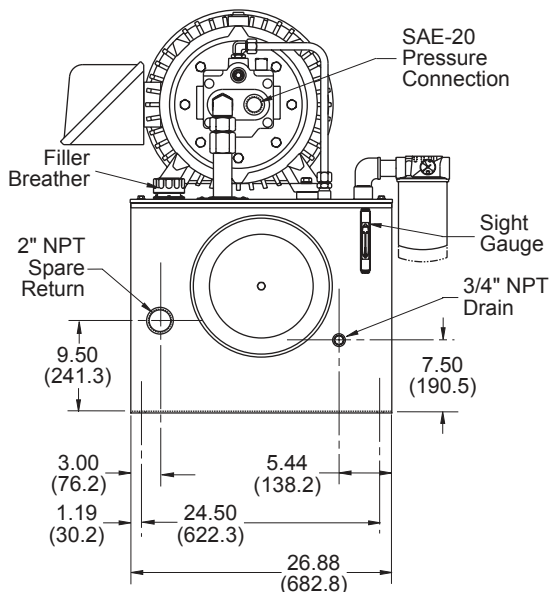
HYDRAULICS

Dimensions shown in: Inches (± .125)  
 (millimeters (± 1 mm))



### Dimensions

Motor Frame	A	B	C
254TC	42.35 (1075.7)	7.00 (177.8)	35.63 (905.0)
256TC	44.05 (1144.3)	7.00 (177.8)	35.63 (905.0)
284TC	45.85 (1164.6)	7.75 (196.8)	37.13 (943.1)
286TC	47.35 (1202.7)	7.75 (196.8)	37.13 (943.1)
324TC	48.89 (1241.8)	8.75 (222.2)	39.10 (993.1)
326TC	48.89 (1241.8)	8.75 (222.2)	39.10 (993.1)
364TC	53.01 (1346.5)	9.75 (247.6)	41.00 (1041.4)
365TC	53.01 (1346.5)	9.75 (247.6)	41.00 (1041.4)

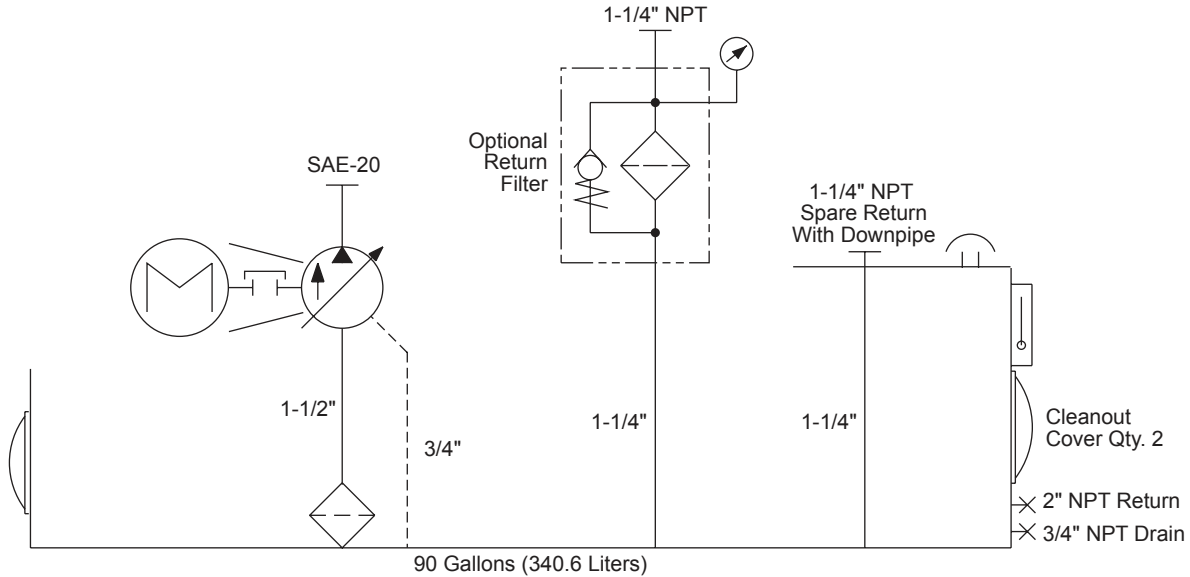




# NFPA/JIC Style Power Units

90 GALLON CAPACITY

Schematic and Specifications - With HPV29 Piston Pump



GENERAL SPECIFICATIONS	R90
Reservoir Capacity	90 Gal. (340.6 liters)
Surface Area For Heat Transfer	26.00 sq. ft. (2.42 m <sup>2</sup> )
Heat Dissipation	Sq. Ft. of Vertical Steel x $\Delta T$ / 1000
Basic Weight (Less Oil, Pump, and Motor)	596 lbs. (270.3 kg)
Usable Gallons	25.75 Gal. (97.5 liters)
Gallons Per Inch Rise	6.64 Gal. (25.1 liters)
Capacity, Full to Top Plate	99.00 Gal. (374.7 liters)
Capacity, High on Sight Gauge	86.43 Gal. (327.1 liters)
Capacity, Low on Sight Gauge	65.13 Gal. (246.5 liters)
<b>Pump Data*</b>	
Flow Range	Up to 29 gpm (109.8 lpm)
Pressure Range	Up to 3000 psi (207 bar)
Power Range	Up to 75 HP (55.9 kW)

\* See Continental Hydraulics Vane Pump or Piston Pump Catalogs for complete codes and specifications.

# NFPA/JIC Style Power Units

130/160 GALLON CAPACITY

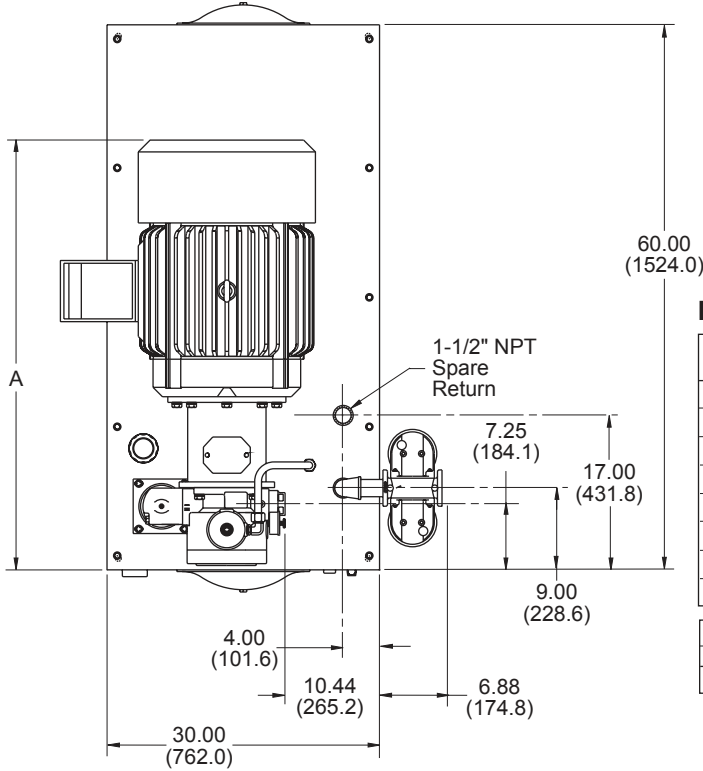
Dimension Drawing - With PVR50 Vane Pump

CONTINENTAL



HYDRAULICS

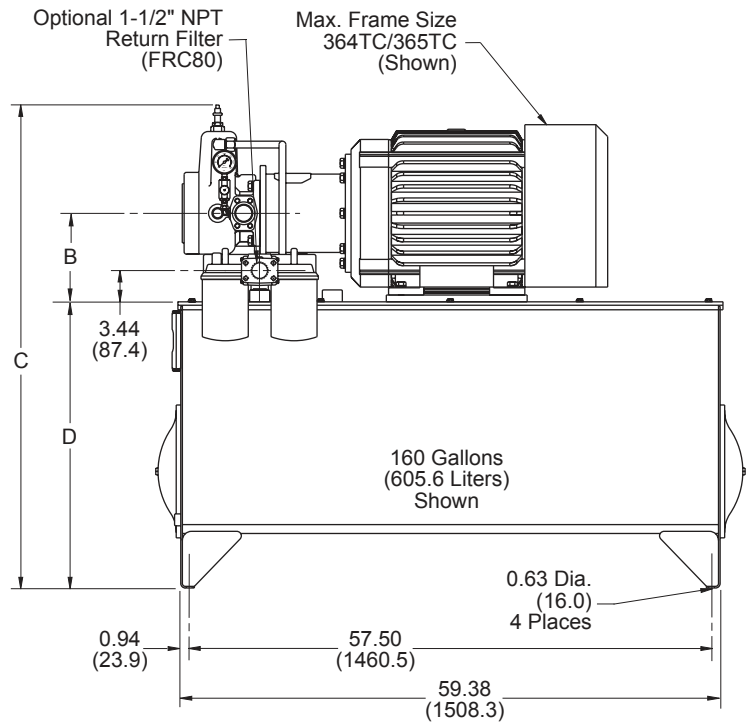
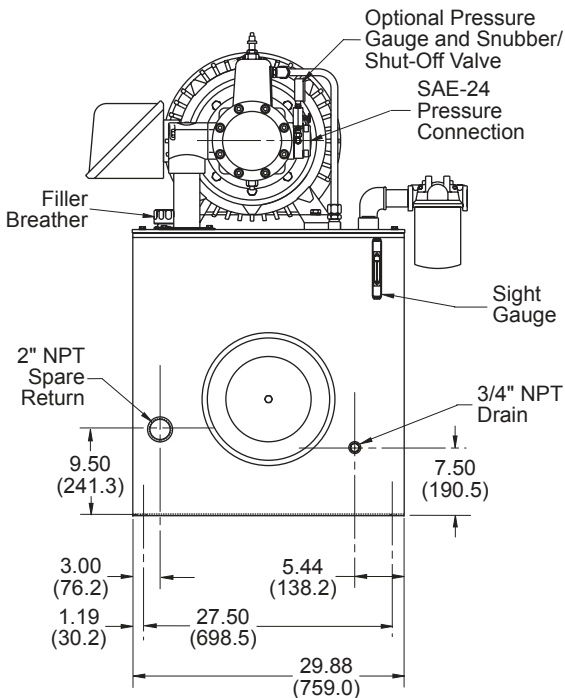
Dimensions shown in: Inches (± .125)  
 (millimeters (± 1 mm))



### Dimensions

Motor Frame	A	B	C	
			R130	R160
254TC	36.21 (908.9)	7.00 (177.8)	45.41 (1153.4)	50.41 (1280.4)
256TC	37.91 (962.9)	7.00 (177.8)	45.41 (1153.4)	50.41 (1280.4)
284TC	39.84 (1011.9)	7.75 (196.8)	46.16 (1172.5)	51.16 (1299.5)
286TC	41.34 (1050.0)	7.75 (196.8)	46.16 (1172.5)	51.16 (1299.5)
324TC	43.25 (1098.5)	8.75 (222.2)	47.16 (1197.9)	52.16 (1324.9)
326TC	43.25 (1098.5)	8.75 (222.2)	47.16 (1197.9)	52.16 (1324.9)
364TC	46.88 (1190.8)	9.75 (247.6)	48.16 (1223.3)	53.16 (1350.3)
365TC	46.88 (1190.8)	9.75 (247.6)	48.16 (1223.3)	53.16 (1350.3)

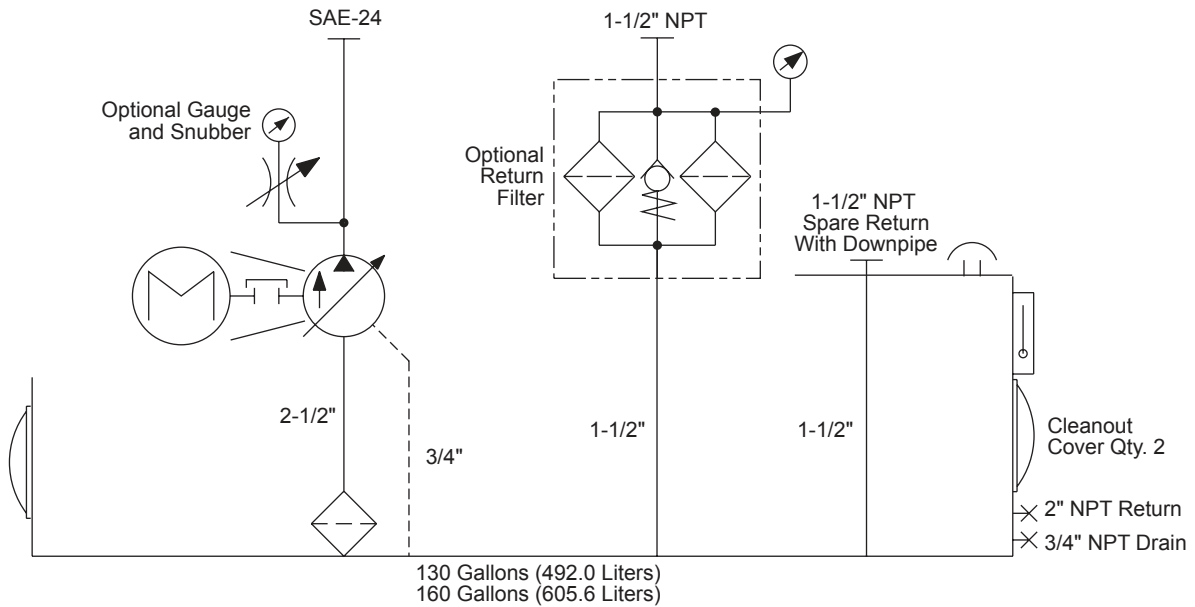
D	
R130	R160
26.50 (673.1)	31.50 (800.1)



# NFPA/JIC Style Power Units

130/160 GALLON CAPACITY

Schematic and Specifications - With PVR50 Vane Pump



GENERAL SPECIFICATIONS	R130	R160
Reservoir Capacity	130 Gal. (492.0 liters)	160 Gal. (605.6 liters)
Surface Area For Heat Transfer	32.66 sq. ft. (3.03 m <sup>2</sup> )	38.77 sq. ft. (3.60 m <sup>2</sup> )
Heat Dissipation	Sq. Ft. of Vertical Steel x ΔT / 1000	
Basic Weight (Less Oil, Pump, and Motor)	756 lbs. (342.9 kg)	814 lbs. (369.2 kg)
Usable Gallons	50.50 Gal. (191.1 liters)	87.50 Gal. (331.2 liters)
Gallons Per Inch Rise	7.41 Gal. (28.0 liters)	7.41 Gal. (28.0 liters)
Capacity, Full to Top Plate	143.33 Gal. (542.5 liters)	180.37 Gal. (682.7 liters)
Capacity, High on Sight Gauge	127.25 Gal. (481.6 liters)	164.25 Gal. (621.7 liters)
Capacity, Low on Sight Gauge	103.25 Gal. (390.8 liters)	140.50 Gal. (531.8 liters)
<b>Pump Data*</b>		
Flow Range	Up to 70 gpm (264.9 lpm)	Up to 70 gpm (264.9 lpm)
Pressure Range	Up to 2000 psi (138 bar)	Up to 2000 psi (138 bar)
Power Range	Up to 75 HP (55.9 kW)	Up to 75 HP (55.9 kW)

\* See Continental Hydraulics Vane Pump or Piston Pump Catalogs for complete codes and specifications.

# NFPA/JIC Style Power Units

130/160 GALLON CAPACITY

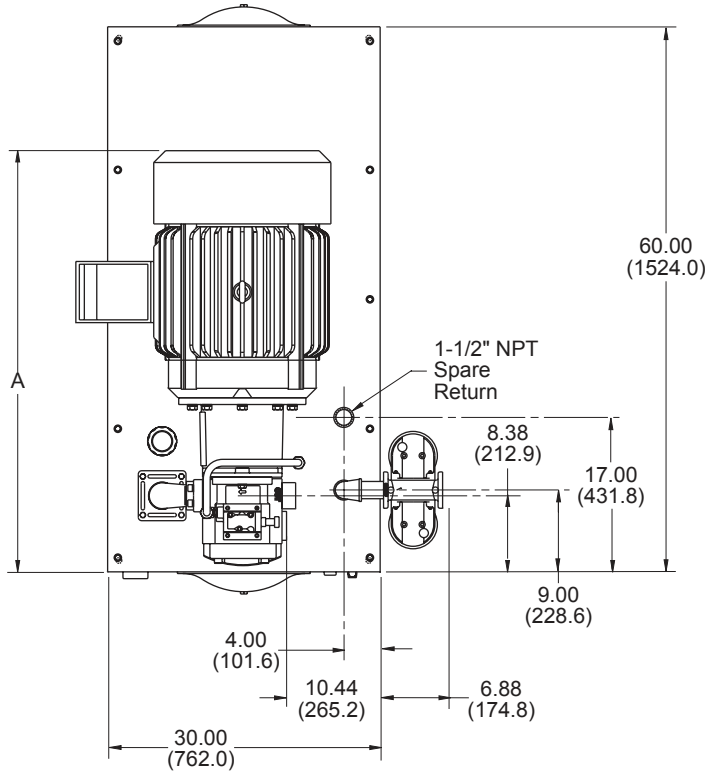
Dimension Drawing - With PVX20/29/36 Vane Pump

CONTINENTAL



HYDRAULICS

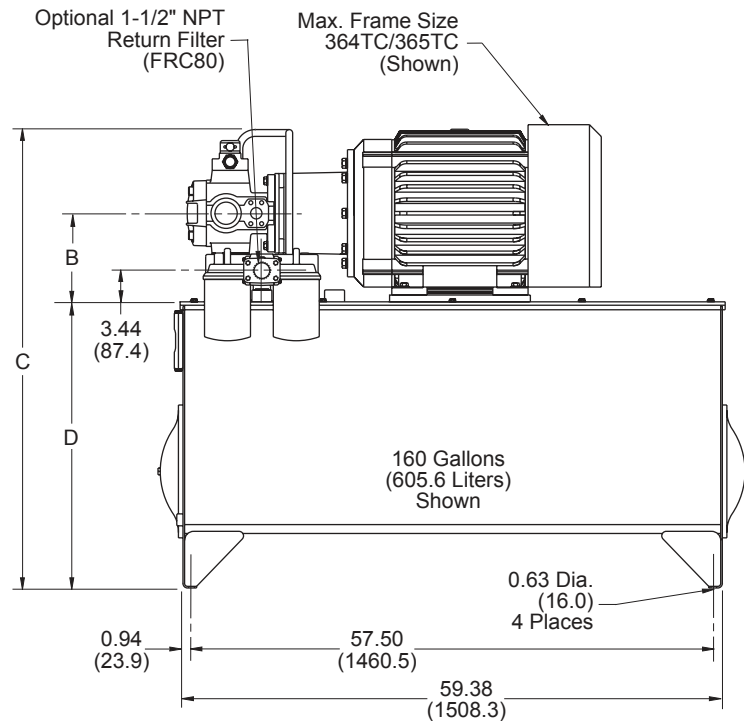
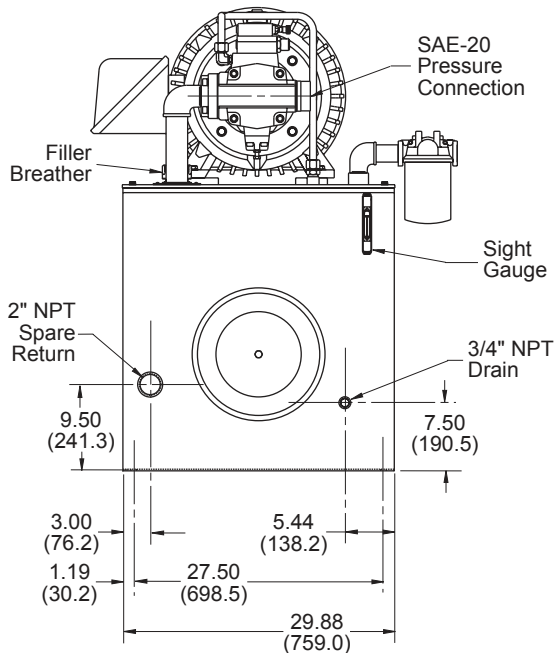
Dimensions shown in: Inches (± .125)  
 (millimeters (± 1 mm))



### Dimensions

Motor Frame	A	B	C	
			R130	R160
254TC	36.70 (932.2)	7.00 (177.8)	43.75 (1111.2)	48.75 (1238.2)
256TC	38.40 (975.4)	7.00 (177.8)	43.75 (1111.2)	48.75 (1238.2)
284TC	40.20 (1021.1)	7.75 (196.8)	44.50 (1130.3)	49.50 (1257.3)
286TC	41.70 (1059.2)	7.75 (196.8)	44.50 (1130.3)	49.50 (1257.3)
324TC	43.25 (1098.5)	8.75 (222.2)	45.50 (1155.7)	50.50 (1282.7)
326TC	43.25 (1098.5)	8.75 (222.2)	45.50 (1155.7)	50.50 (1282.7)
364TC	46.75 (1187.4)	9.75 (247.6)	46.50 (1181.1)	51.50 (1308.1)
365TC	46.75 (1187.4)	9.75 (247.6)	46.50 (1181.1)	51.50 (1308.1)

D	
R130	R160
26.50 (673.1)	31.50 (800.1)

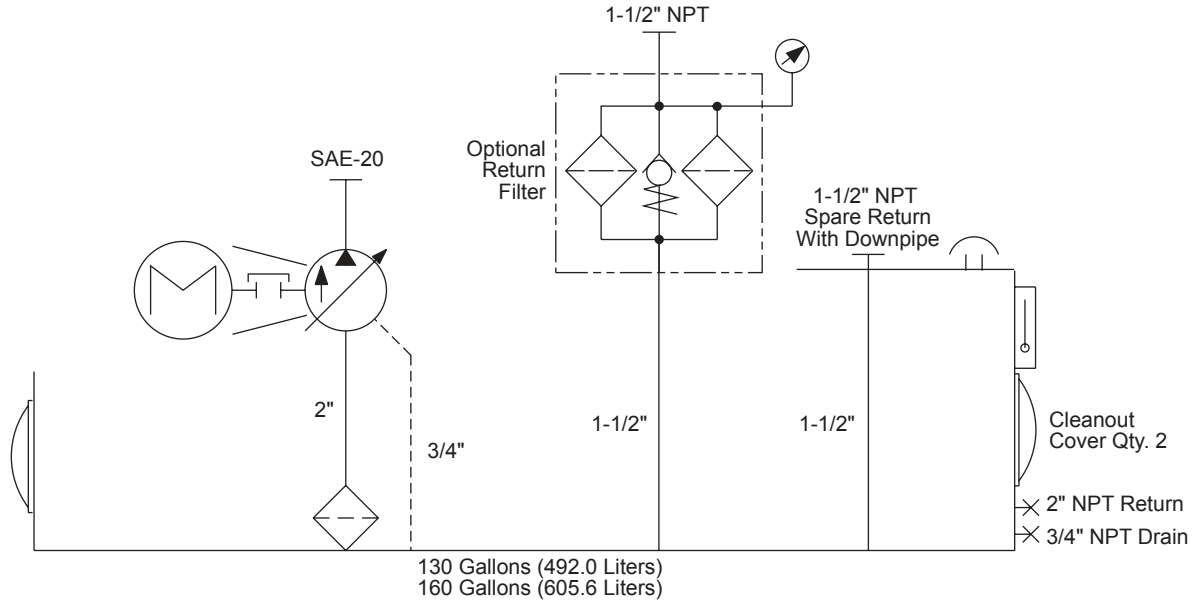




# NFPA/JIC Style Power Units

130/160 GALLON CAPACITY

Schematic and Specifications - With PVX20/29/36 Vane Pump



GENERAL SPECIFICATIONS	R130	R160
Reservoir Capacity	130 Gal. (492.0 liters)	160 Gal. (605.6 liters)
Surface Area For Heat Transfer	32.66 sq. ft. (3.03 m <sup>2</sup> )	38.77 sq. ft. (3.60 m <sup>2</sup> )
Heat Dissipation	Sq. Ft. of Vertical Steel x ΔT / 1000	
Basic Weight (Less Oil, Pump, and Motor)	754 lbs. (342.0 kg)	811 lbs. (367.9 kg)
Usable Gallons	62.50 Gal. (236.6 liters)	99.50 Gal. (376.6 liters)
Gallons Per Inch Rise	7.41 Gal. (28.0 liters)	7.41 Gal. (28.0 liters)
Capacity, Full to Top Plate	143.33 Gal. (542.5 liters)	180.37 Gal. (682.7 liters)
Capacity, High on Sight Gauge	127.25 Gal. (481.6 liters)	164.25 Gal. (621.7 liters)
Capacity, Low on Sight Gauge	103.25 Gal. (390.8 liters)	140.50 Gal. (531.8 liters)
<b>Pump Data*</b>		
Flow Range	Up to 36 gpm (136.3 lpm)	Up to 36 gpm (136.3 lpm)
Pressure Range	Up to 3000 psi (207 bar)	Up to 3000 psi (207 bar)
Power Range	Up to 75 HP (55.9 kW)	Up to 75 HP (55.9 kW)

\* See Continental Hydraulics Vane Pump or Piston Pump Catalogs for complete codes and specifications.

# NFPA/JIC Style Power Units

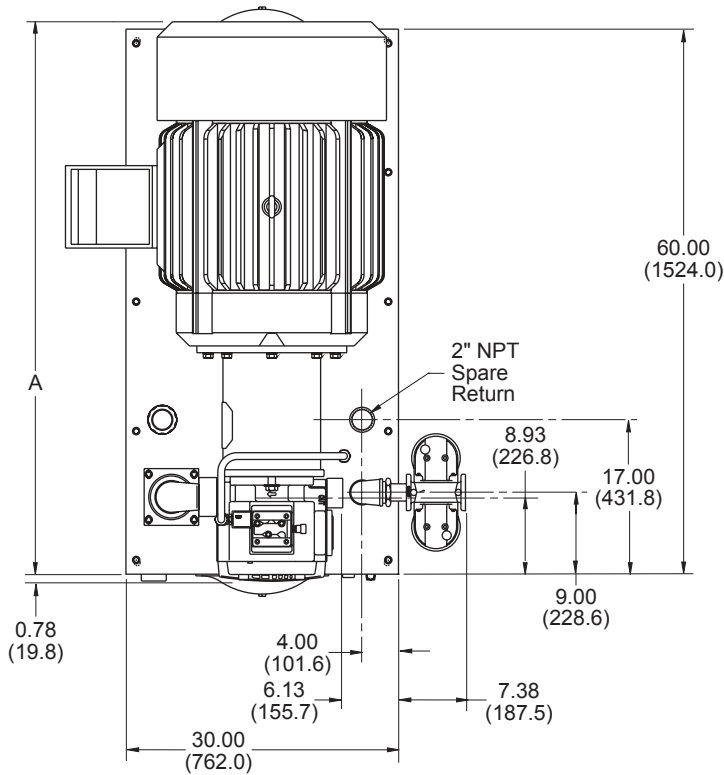
130/160 GALLON CAPACITY

Dimension Drawing - With PVX46/60/75 Vane Pump

CONTINENTAL



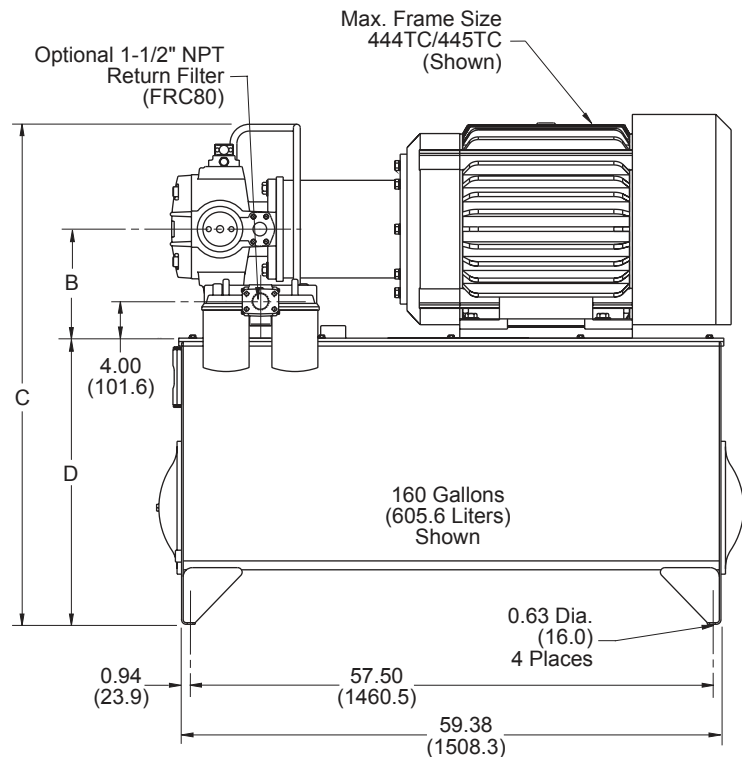
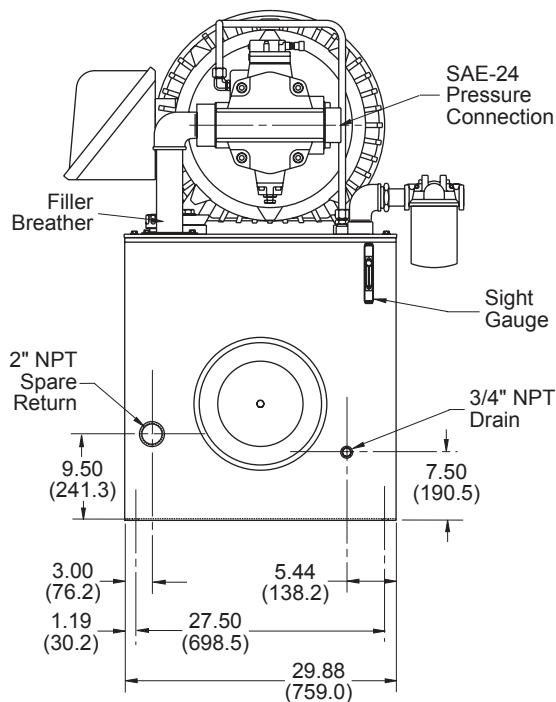
HYDRAULICS



### Dimensions

Motor Frame	A	B	C	
			R130	R160
324TC	44.94 (1141.5)	8.75 (222.2)	45.75 (1162.0)	50.75 (1289.0)
326TC	44.94 (1141.5)	8.75 (222.2)	45.75 (1162.0)	50.75 (1289.0)
364TC	47.95 (1217.9)	9.75 (247.6)	46.75 (1187.4)	51.75 (1314.4)
365TC	47.95 (1217.9)	9.75 (247.6)	46.75 (1187.4)	51.75 (1314.4)
404TC	54.31 (1379.5)	11.00 (279.4)	48.00 (1219.2)	53.00 (1346.2)
405TC	54.31 (1379.5)	11.00 (279.4)	48.00 (1219.2)	53.00 (1346.2)
444TC	61.25 (1555.7)	12.00 (304.8)	49.00 (1244.6)	54.00 (1371.6)

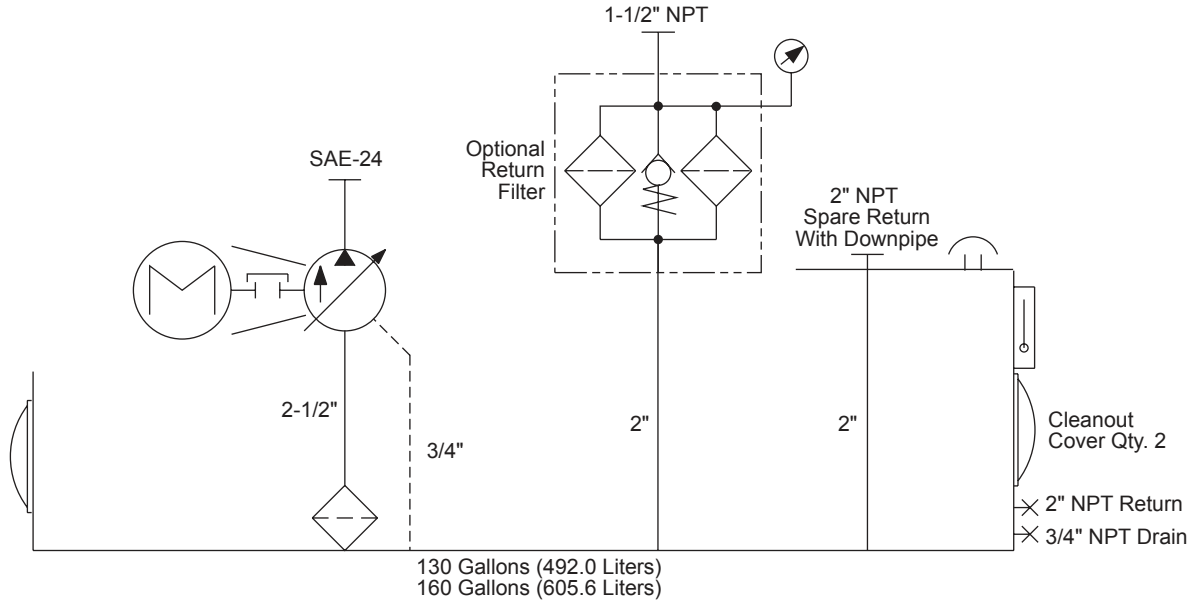
D	
R130	R160
26.50 (673.1)	31.50 (800.1)



# NFPA/JIC Style Power Units

130/160 GALLON CAPACITY

Schematic and Specifications - With PVX46/60/75 Vane Pump



GENERAL SPECIFICATIONS	R130	R160
Reservoir Capacity	130 Gal. (492.0 liters)	160 Gal. (605.6 liters)
Surface Area For Heat Transfer	32.66 sq. ft. (3.03 m <sup>2</sup> )	38.77 sq. ft. (3.60 m <sup>2</sup> )
Heat Dissipation	Sq. Ft. of Vertical Steel x ΔT / 1000	
Basic Weight (Less Oil, Pump, and Motor)	759 lbs. (344.3 kg)	816 lbs. (370.1 kg)
Usable Gallons	50.50 Gal. (191.1 liters)	87.50 Gal. (331.2 liters)
Gallons Per Inch Rise	7.41 Gal. (28.0 liters)	7.41 Gal. (28.0 liters)
Capacity, Full to Top Plate	143.33 Gal. (542.5 liters)	180.37 Gal. (682.7 liters)
Capacity, High on Sight Gauge	127.25 Gal. (481.6 liters)	164.25 Gal. (621.7 liters)
Capacity, Low on Sight Gauge	103.25 Gal. (390.8 liters)	140.50 Gal. (531.8 liters)
<b>Pump Data*</b>		
Flow Range	Up to 75 gpm (283.9 lpm)	Up to 75 gpm (283.9 lpm)
Pressure Range	Up to 2500 psi (172 bar)	Up to 2500 psi (172 bar)
Power Range	Up to 125 HP (93.2 kW)	Up to 125 HP (93.2 kW)

\* See Continental Hydraulics Vane Pump or Piston Pump Catalogs for complete codes and specifications.

# NFPA/JIC Style Power Units

130/160 GALLON CAPACITY

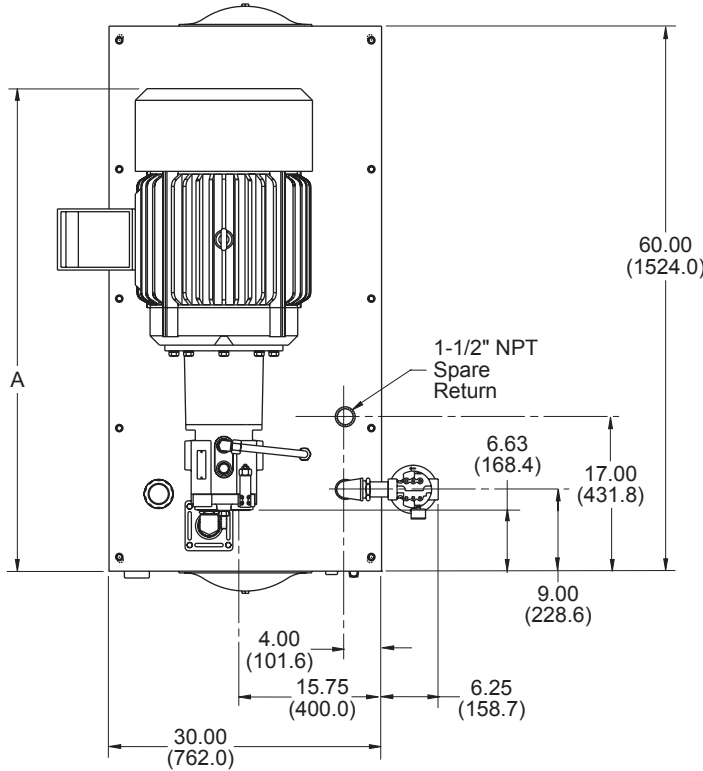
Dimension Drawing - With HPV29 Piston Pump

CONTINENTAL



HYDRAULICS

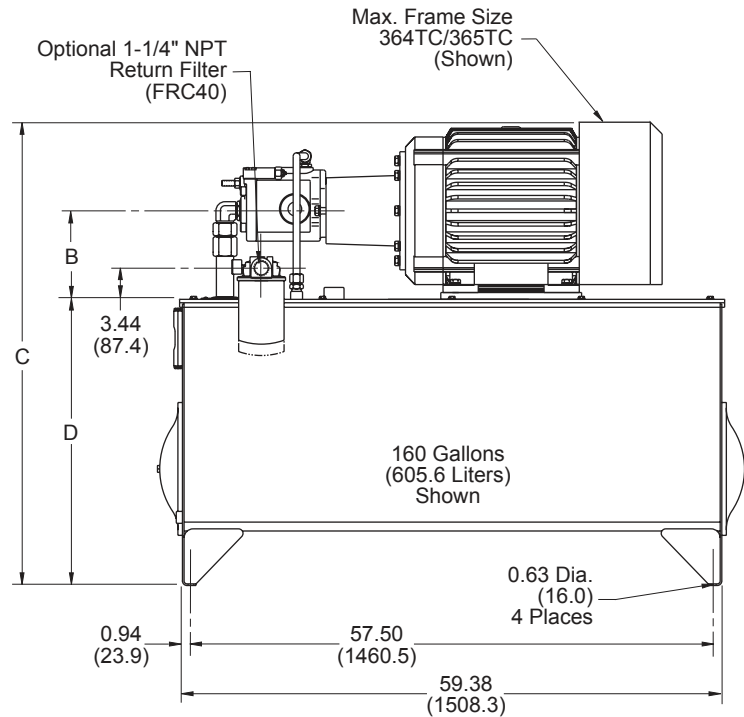
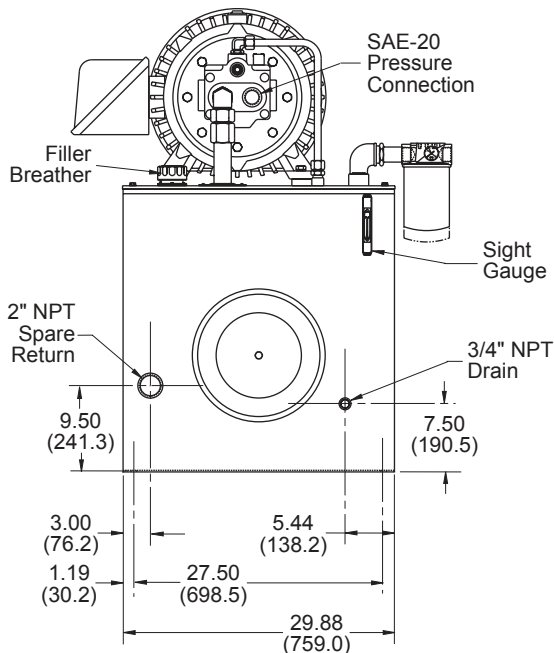
Dimensions shown in: Inches (± .125)  
 (millimeters (± 1 mm))



### Dimensions

Motor Frame	A	B	C	
			R130	R160
254TC	42.35 (1075.7)	7.00 (177.8)	40.13 (1019.3)	45.13 (1146.3)
256TC	44.05 (1118.9)	7.00 (177.8)	40.13 (1019.3)	45.13 (1146.3)
284TC	45.85 (1164.6)	7.75 (196.8)	41.63 (1057.4)	46.63 (1184.4)
286TC	47.35 (1202.7)	7.75 (196.8)	41.63 (1057.4)	46.63 (1184.4)
324TC	48.89 (1241.8)	8.75 (222.2)	43.60 (1107.4)	48.60 (1234.4)
326TC	48.89 (1241.8)	8.75 (222.2)	43.60 (1107.4)	48.60 (1234.4)
364TC	53.01 (1346.4)	9.75 (247.6)	45.50 (1155.7)	50.50 (1282.7)
365TC	53.01 (1346.4)	9.75 (247.6)	45.50 (1155.7)	50.50 (1282.7)

D	
R130	R160
26.50 (673.1)	31.50 (800.1)

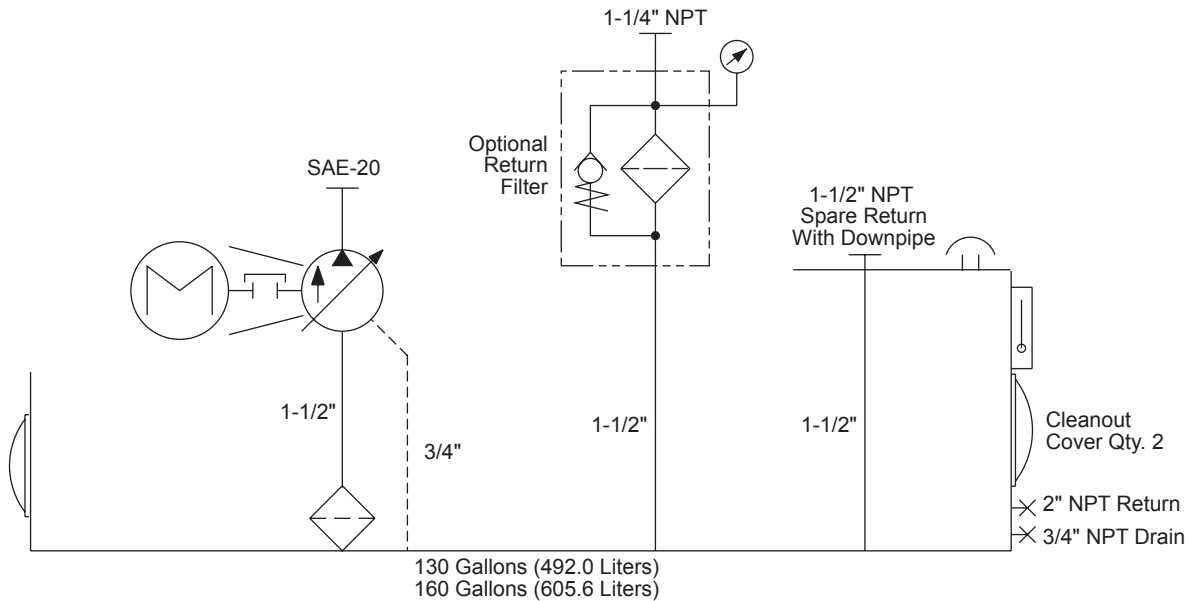




# NFPA/JIC Style Power Units

130/160 GALLON CAPACITY

Schematic and Specifications - With HPV29 Piston Pump



GENERAL SPECIFICATIONS	R130	R160
Reservoir Capacity	130 Gal. (492.0 liters)	160 Gal. (605.6 liters)
Surface Area For Heat Transfer	32.66 sq. ft. (3.03 m <sup>2</sup> )	38.77 sq. ft. (3.60 m <sup>2</sup> )
Heat Dissipation	Sq. Ft. of Vertical Steel x ΔT / 1000	
Basic Weight (Less Oil, Pump, and Motor)	756 lbs. (342.9 kg)	814 lbs. (369.2 kg)
Usable Gallons	62.50 Gal. (236.6 liters)	99.50 Gal. (376.6 liters)
Gallons Per Inch Rise	7.41 Gal. (28.0 liters)	7.41 Gal. (28.0 liters)
Capacity, Full to Top Plate	143.33 Gal. (542.5 liters)	180.37 Gal. (682.7 liters)
Capacity, High on Sight Gauge	127.25 Gal. (481.6 liters)	164.25 Gal. (621.7 liters)
Capacity, Low on Sight Gauge	103.25 Gal. (390.8 liters)	140.50 Gal. (531.8 liters)
<b>Pump Data*</b>		
Flow Range	Up to 29 gpm (109.8 lpm)	Up to 29 gpm (109.8 lpm)
Pressure Range	Up to 3000 psi (207 bar)	Up to 3000 psi (207 bar)
Power Range	Up to 75 HP (55.9 kW)	Up to 75 HP (55.9 kW)

\* See Continental Hydraulics Vane Pump or Piston Pump Catalogs for complete codes and specifications.

# NFPA/JIC Style Power Units

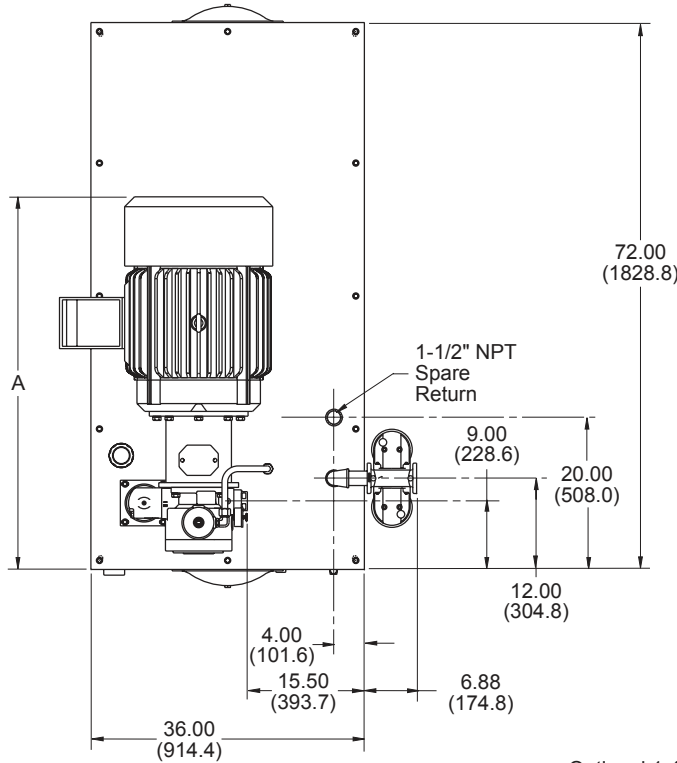
210 GALLON CAPACITY

Dimension Drawing - With PVR50 Vane Pump

CONTINENTAL



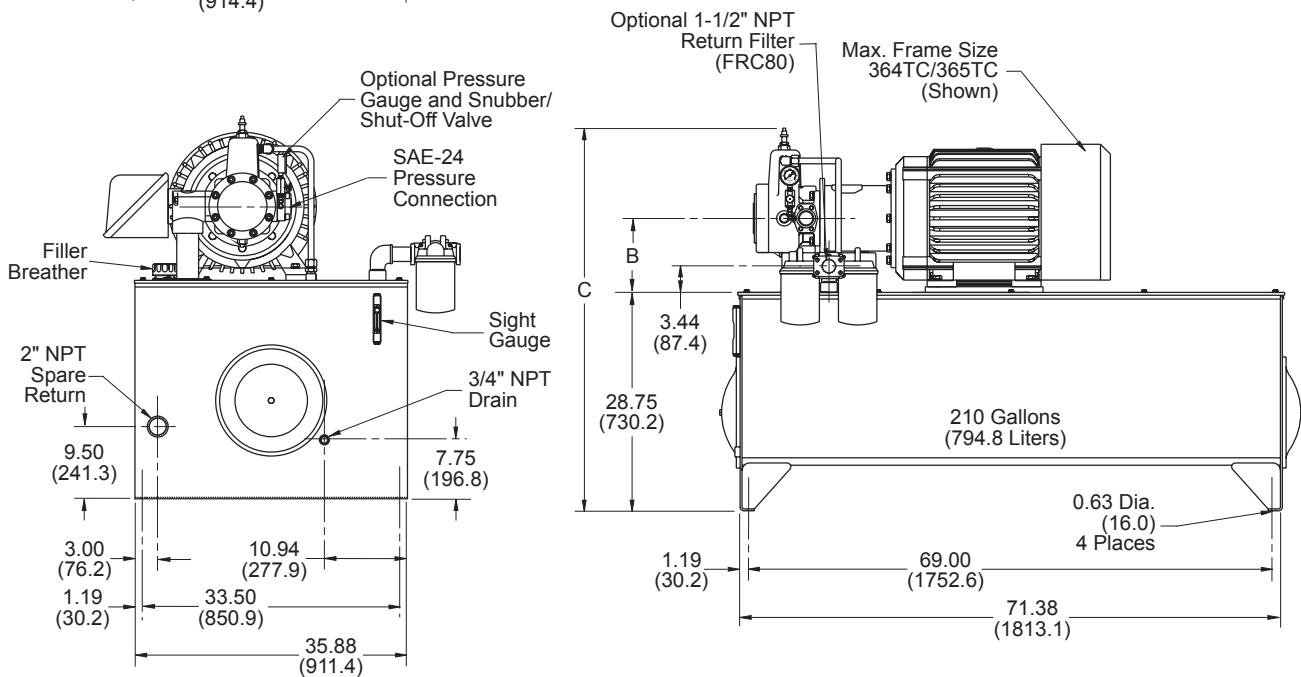
HYDRAULICS



Dimensions shown in: Inches ( $\pm .125$ )  
 (millimeters ( $\pm 1$  mm))

### Dimensions

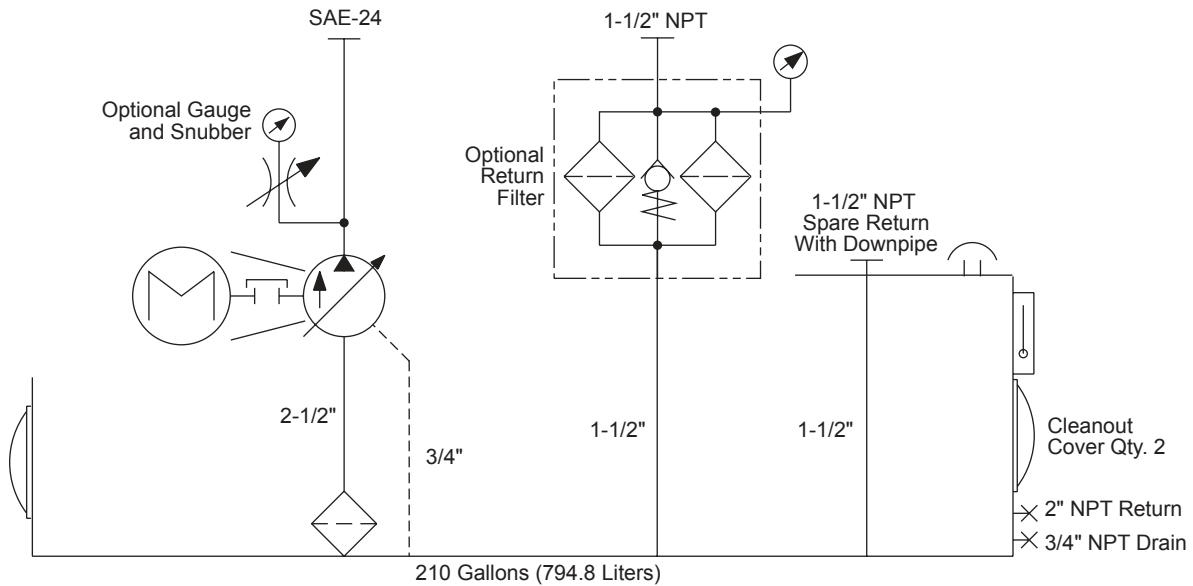
Motor Frame	A	B	C
254TC	37.96 (964.2)	7.00 (177.8)	47.66 (1210.6)
256TC	39.66 (1007.4)	7.00 (177.8)	47.66 (1210.6)
284TC	41.59 (1056.4)	7.75 (196.8)	48.41 (1229.6)
286TC	43.09 (1094.5)	7.75 (196.8)	48.41 (1229.6)
324TC	45.00 (1143.0)	8.75 (222.2)	49.51 (1257.6)
326TC	45.00 (1143.0)	8.75 (222.2)	49.51 (1257.6)
364TC	48.63 (1235.2)	9.75 (247.6)	50.41 (1280.4)
365TC	48.63 (1235.2)	9.75 (247.6)	50.41 (1280.4)



# NFPA/JIC Style Power Units

210 GALLON CAPACITY

Schematic and Specifications - With PVR50 Vane Pump



GENERAL SPECIFICATIONS	R210
Reservoir Capacity	210 Gal. (794.8 liters)
Surface Area For Heat Transfer	43.84 sq. ft. (4.07 m <sup>2</sup> )
Heat Dissipation	Sq. Ft. of Vertical Steel x ΔT / 1000
Basic Weight (Less Oil, Pump, and Motor)	994 lbs. (450.9 kg)
Usable Gallons	90.57 Gal. (342.8 liters)
Gallons Per Inch Rise	10.74 Gal. (40.7 liters)
Capacity, Full to Top Plate	232.00 Gal. (878.1 liters)
Capacity, High on Sight Gauge	201.75 Gal. (763.6 liters)
Capacity, Low on Sight Gauge	167.56 Gal. (634.2 liters)
<b>Pump Data*</b>	
Flow Range	Up to 70 gpm (264.9 lpm)
Pressure Range	Up to 2000 psi (138 bar)
Power Range	Up to 75 HP (55.9 kW)

\* See Continental Hydraulics Vane Pump or Piston Pump Catalogs for complete codes and specifications.

# NFPA/JIC Style Power Units

210 GALLON CAPACITY

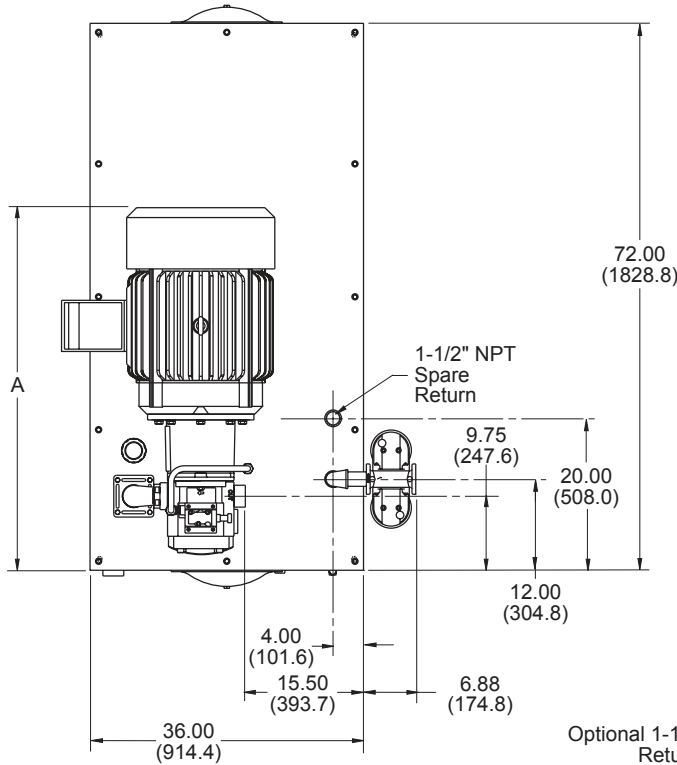
Dimension Drawing - With PVX20/29/36 Vane Pump

CONTINENTAL



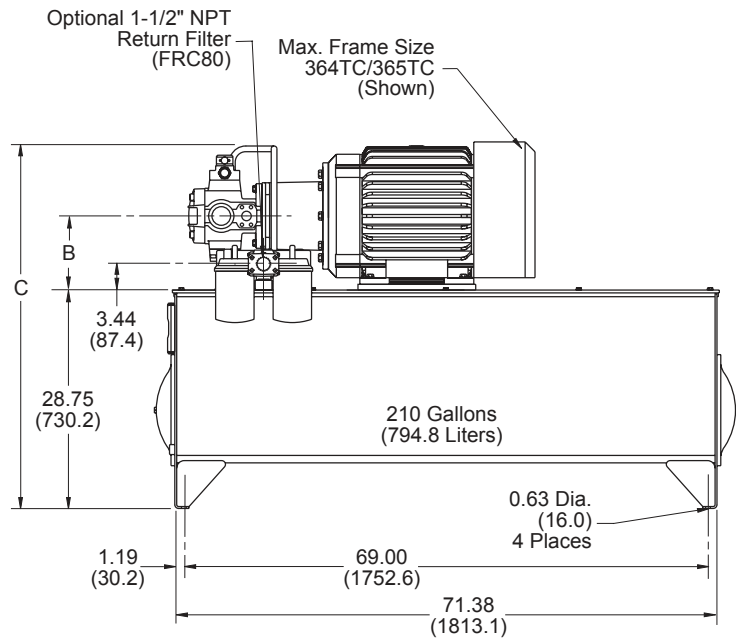
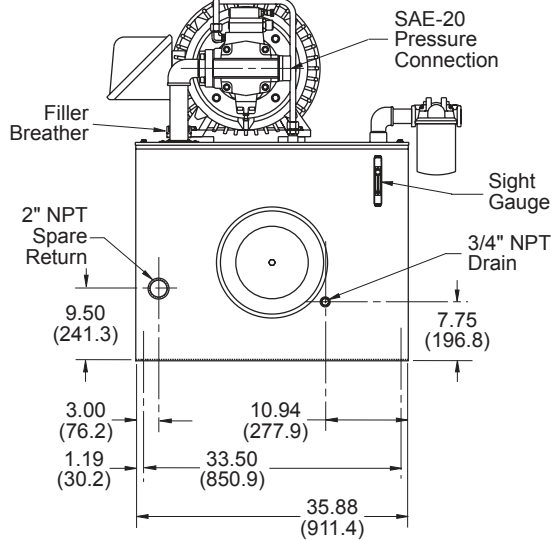
HYDRAULICS

Dimensions shown in: Inches (± .125)  
 (millimeters (± 1 mm))



### Dimensions

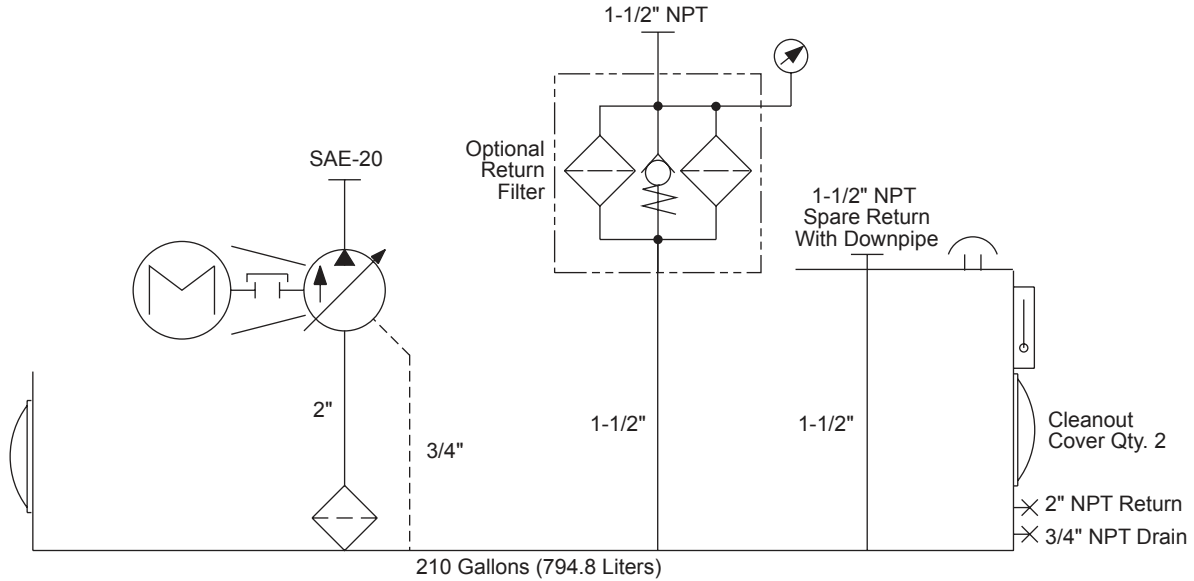
Motor Frame	A	B	C
254TC	38.07 (967.0)	7.00 (177.8)	46.00 (1168.4)
256TC	39.77 (1010.2)	7.00 (177.8)	46.00 (1168.4)
284TC	41.57 (1055.9)	7.75 (196.8)	46.75 (1187.4)
286TC	43.07 (1094.0)	7.75 (196.8)	46.75 (1187.4)
324TC	44.61 (1133.1)	8.75 (222.2)	47.75 (1212.8)
326TC	44.61 (1133.1)	8.75 (222.2)	47.75 (1212.8)
364TC	48.11 (1222.0)	9.75 (247.6)	48.75 (1238.2)
365TC	48.11 (1222.0)	9.75 (247.6)	48.75 (1238.2)



# NFPA/JIC Style Power Units

210 GALLON CAPACITY

Schematic and Specifications - With PVX20/29/36 Vane Pump



GENERAL SPECIFICATIONS	R210
Reservoir Capacity	210 Gal. (794.8 liters)
Surface Area For Heat Transfer	43.84 sq. ft. (4.07 m <sup>2</sup> )
Heat Dissipation	Sq. Ft. of Vertical Steel x ΔT / 1000
Basic Weight (Less Oil, Pump, and Motor)	990 lbs. (449.1 kg)
Usable Gallons	109.36 Gal. (413.9 liters)
Gallons Per Inch Rise	10.74 Gal. (40.7 liters)
Capacity, Full to Top Plate	232.00 Gal. (878.1 liters)
Capacity, High on Sight Gauge	201.75 Gal. (763.6 liters)
Capacity, Low on Sight Gauge	167.56 Gal. (634.2 liters)
<b>Pump Data*</b>	
Flow Range	Up to 36 gpm (136.3 lpm)
Pressure Range	Up to 3000 psi (207 bar)
Power Range	Up to 75 HP (55.9 kW)

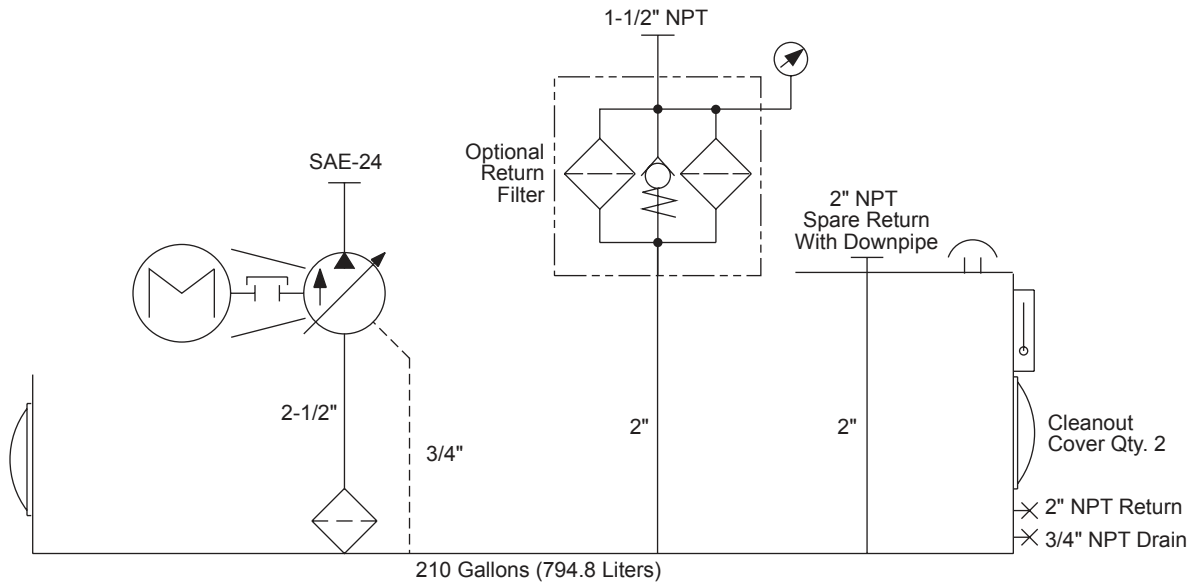
\* See Continental Hydraulics Vane Pump or Piston Pump Catalogs for complete codes and specifications.



# NFPA/JIC Style Power Units

210 GALLON CAPACITY

Schematic and Specifications - With PVX46/60/75 Vane Pump



GENERAL SPECIFICATIONS	R210
Reservoir Capacity	210 Gal. (794.8 liters)
Surface Area For Heat Transfer	43.84 sq. ft. (4.07 m <sup>2</sup> )
Heat Dissipation	Sq. Ft. of Vertical Steel x ΔT / 1000
Basic Weight (Less Oil, Pump, and Motor)	996 lbs. (451.8 kg)
Usable Gallons	90.57 Gal. (342.8 liters)
Gallons Per Inch Rise	10.74 Gal. (40.7 liters)
Capacity, Full to Top Plate	232.00 Gal. (878.1 liters)
Capacity, High on Sight Gauge	201.75 Gal. (763.6 liters)
Capacity, Low on Sight Gauge	167.56 Gal. (634.2 liters)
<b>Pump Data*</b>	
Flow Range	Up to 75 gpm (283.9 lpm)
Pressure Range	Up to 2500 psi (172 bar)
Power Range	Up to 125 HP (93.2 kW)

\* See Continental Hydraulics Vane Pump or Piston Pump Catalogs for complete codes and specifications.

# NFPA/JIC Style Power Units

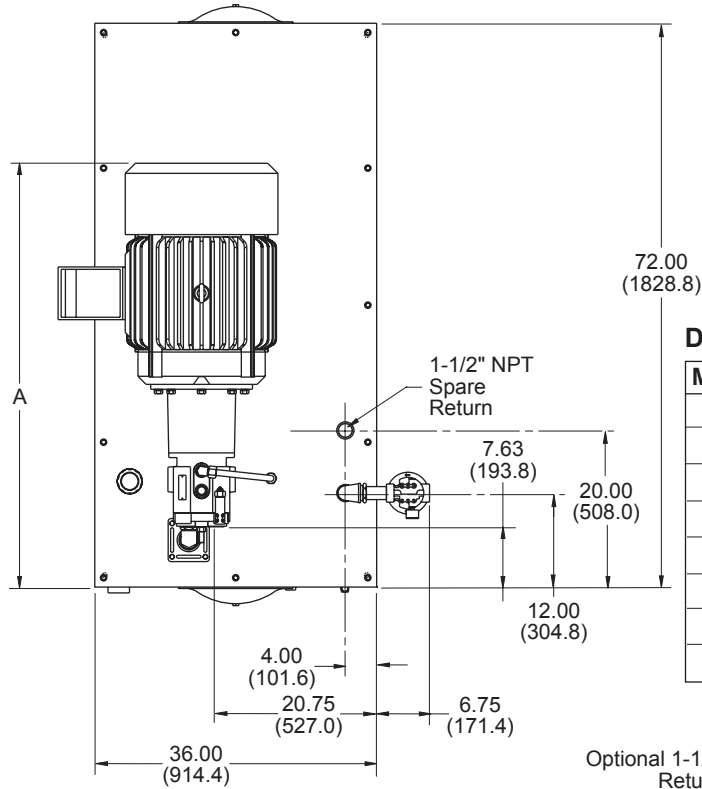
210 GALLON CAPACITY

Dimension Drawing - With HPV29 Piston Pump

CONTINENTAL



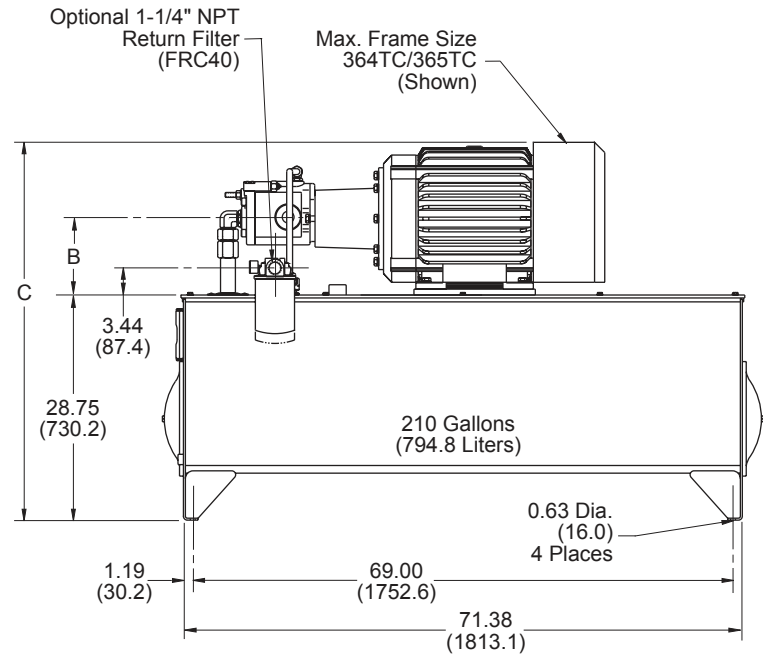
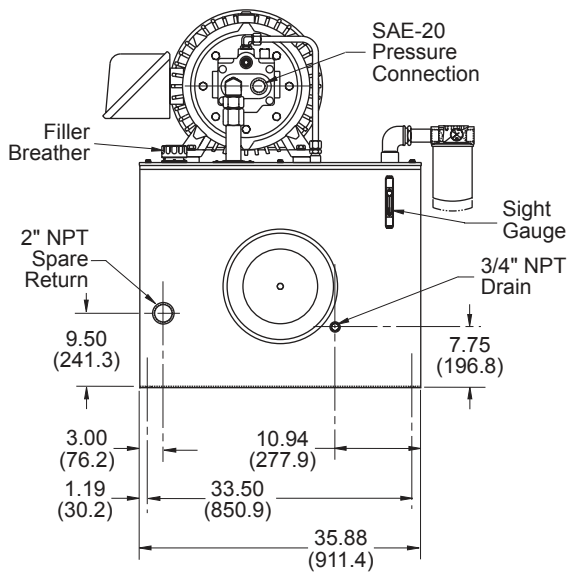
HYDRAULICS



Dimensions shown in: Inches ( $\pm .125$ )  
(millimeters ( $\pm 1$  mm))

### Dimensions

Motor Frame	A	B	C
254TC	43.35 (1101.1)	7.00 (177.8)	42.38 (1076.5)
256TC	45.05 (1144.3)	7.00 (177.8)	42.38 (1076.5)
284TC	46.05 (1169.7)	7.75 (196.8)	43.88 (1114.6)
286TC	48.35 (1228.1)	7.75 (196.8)	43.88 (1114.6)
324TC	49.89 (1267.2)	8.75 (222.2)	45.85 (1164.6)
326TC	49.89 (1267.2)	8.75 (222.2)	45.85 (1164.6)
364TC	54.13 (1374.9)	9.75 (247.6)	47.75 (1212.8)
365TC	54.13 (1374.9)	9.75 (247.6)	47.75 (1212.8)

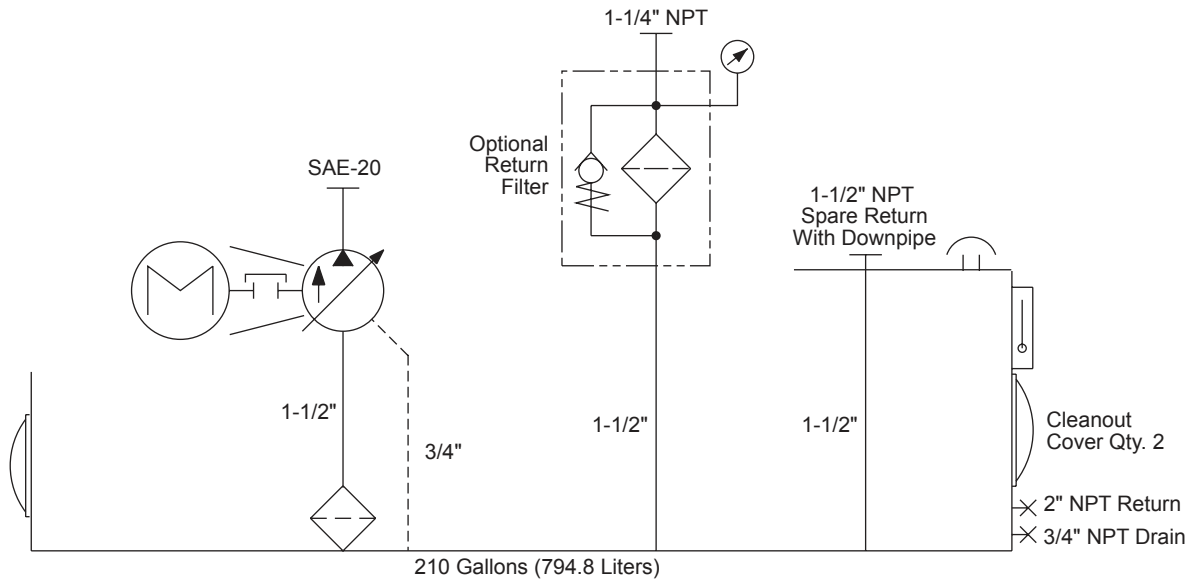




# NFPA/JIC Style Power Units

210 GALLON CAPACITY

Schematic and Specifications - With HPV29 Piston Pump



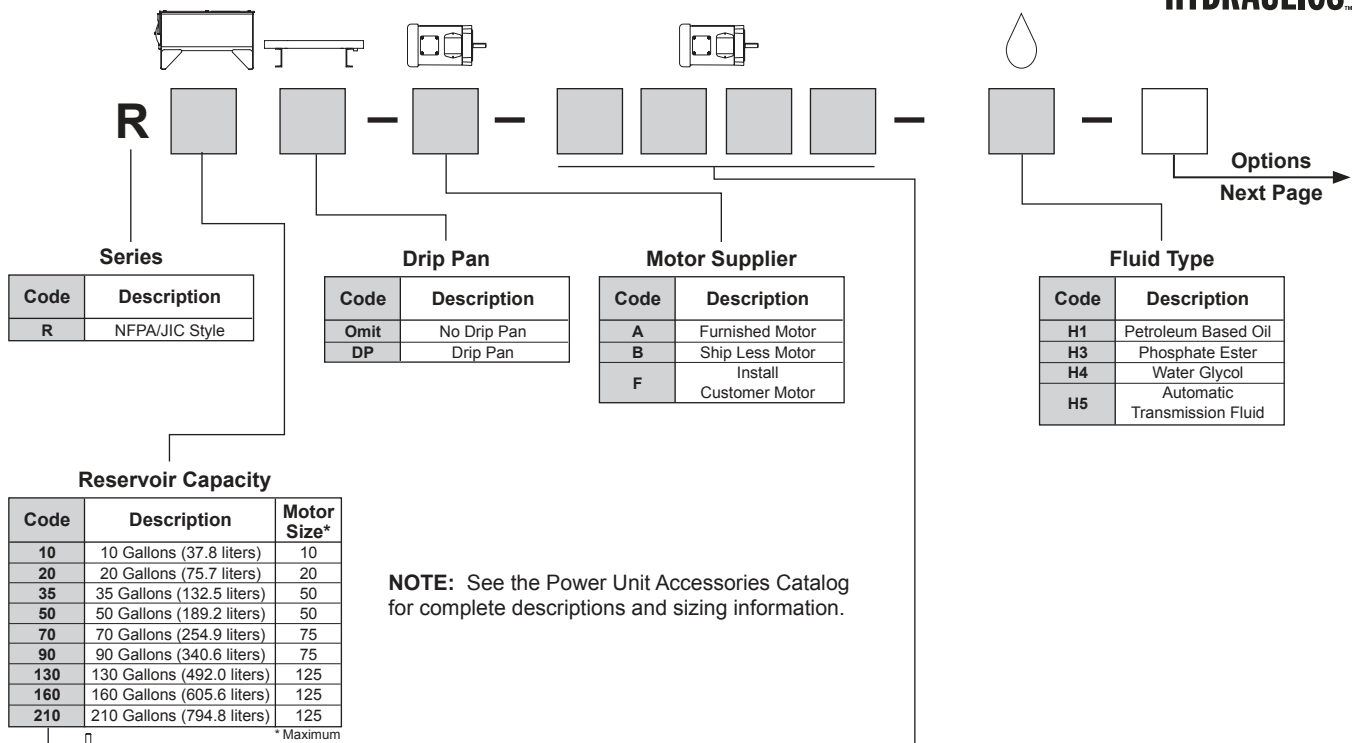
GENERAL SPECIFICATIONS	R210
Reservoir Capacity	210 Gal. (794.8 liters)
Surface Area For Heat Transfer	43.84 sq. ft. (4.07 m <sup>2</sup> )
Heat Dissipation	Sq. Ft. of Vertical Steel x ΔT / 1000
Basic Weight (Less Oil, Pump, and Motor)	994 lbs. (450.9 kg)
Usable Gallons	109.36 Gal. (413.9 liters)
Gallons Per Inch Rise	10.74 Gal. (40.7 liters)
Capacity, Full to Top Plate	232.00 Gal. (878.1 liters)
Capacity, High on Sight Gauge	201.75 Gal. (763.6 liters)
Capacity, Low on Sight Gauge	167.56 Gal. (634.2 liters)
<b>Pump Data*</b>	
Flow Range	Up to 29 gpm (109.8 lpm)
Pressure Range	Up to 3000 psi (207 bar)
Power Range	Up to 75 HP (55.9 kW)

\* See Continental Hydraulics Vane Pump or Piston Pump Catalogs for complete codes and specifications.

# NFPA/JIC Style Power Units

10 TO 210 GALLON CAPACITY

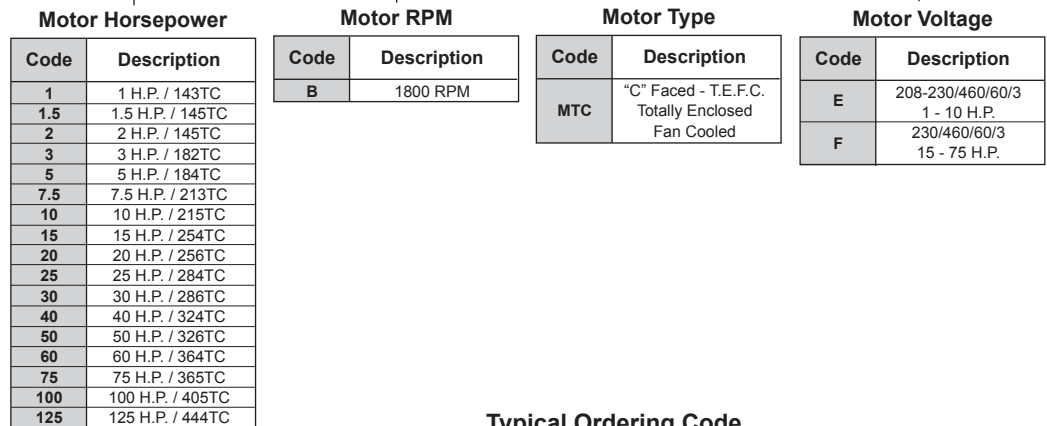
Ordering Information - Standard Unit



**NOTE:** See the Power Unit Accessories Catalog for complete descriptions and sizing information.

Select vane or piston pump from the appropriate Continental Hydraulics Pump Catalogs.

**NOTE:** Pump and motor ranges listed for each reservoir size are standard combinations. For special combinations, please discuss your application with your Continental Hydraulics distributor or the factory.



**NOTE:** Pump and motor ranges listed for each reservoir size are standard combinations. For special combinations, please discuss your application with your Continental Hydraulics distributor or the factory.

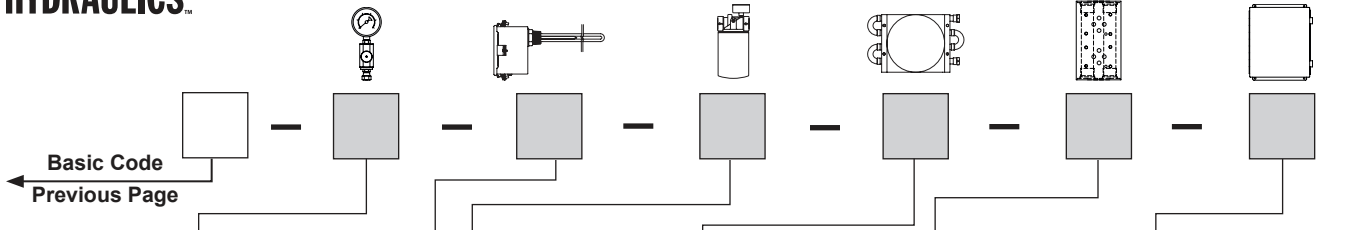
### Typical Ordering Code

- R90-A-20BMTCF-H1-G2N-FRC80-V5M2S-MS** (Power Unit)
- PVR15-20B15-RF-0-5** (Vane Pump)
- VSD05M-3A-GB-33L** (Directional Control Valve - Qty. 1)
- F05MSV-NDC-AA** (Flow Control Valve - Qty. 1)
- BD05-400** (Bolt Kit - Qty. 1)
- VSD05M-3F-G-33L** (Directional Control Valve - Qty. 1)
- BD05-175** (Bolt Kit - Qty. 1)
- MS-20-460-3-4** (Motor Starter - Qty. 1)

# NFPA/JIC Style Power Units

## 10 TO 210 GALLON CAPACITY

### Ordering Information - Options



Basic Code  
Previous Page

#### Pressure

Code	Description
Omit	No Gauge
G1	Pressure Gauge 0 - 1000 psi, SAE-4
G1.5	Pressure Gauge 0 - 1500 psi, SAE-4
G2	Pressure Gauge 0 - 2000 psi, SAE-4
G3	Pressure Gauge 0 - 3000 psi, SAE-4
G5	Pressure Gauge 0 - 5000 psi, SAE-4
N	Needle Valve SAE-4
IV	Gauge Isolator, 14 NPT Push to Read/Detent
RV1	Relief Valve, SAE-8 150 - 4500 psi (10 - 310 bar)
RV2	Relief Valve, SAE-12 150 - 4500 psi (10 - 310 bar)
RV6	Relief Valve, SAE-16 150 - 4500 psi (10 - 310 bar)
AB	Air Bleed Valve, SAE-6 8 gpm (30.3 liters)

#### Heat Exchanger

Code	Description
Omit	No Heat Exchanger
HEW11C	Water-to-Oil Cooler HEW-11 For Case Drain
HEW11R	Water-to-Oil Cooler System Return
HEW21R	Water-to-Oil Cooler HEW-21 For System Return With Bypass
HEW31R	Water-to-Oil Cooler HEW-31 For System Return With Bypass
HEW33R	Water-to-Oil Cooler HEW-33 For System Return With Bypass
MHE2	Water Modulating Valve 1/2 NPT 25 gpm (94.6 liters)
MHE3	Water Modulating Valve 3/4 NPT 40 gpm (151.4 liters)
MHE4	Water Modulating Valve 1 NPT 55 gpm (208.2 liters)
Y2	Water "Y" Strainer 1/2 NPT
Y3	Water "Y" Strainer 3/4 NPT
Y4	Water "Y" Strainer 1 NPT
HEA41C	Air-to-Oil Cooler HEA-41 For Case Drain
HEA42C	Air-to-Oil Cooler HEA-42 For Case Drain
HEA44C	Air-to-Oil Cooler HEA-44 For Case Drain
HEA19C	Air-to-Oil Cooler SAE-12, 10 psi (.7 bar) Bypass For Case Drain
HEA41R	Air-to-Oil Cooler HEA-41 For System Return
HEA42R	Air-to-Oil Cooler HEA-42 For System Return
HEA19R	Air-to-Oil Cooler SAE-12, 30 psi (2 bar) Bypass For System Return
HEA22R	Air-to-Oil Cooler SAE-12, 30 psi (2 bar) Bypass For System Return
HEA24R	Air-to-Oil Cooler SAE-12, 30 psi (2 bar) Bypass For System Return
HEA33R	Air-to-Oil Cooler SAE-16, 30 psi (2 bar) Bypass For System Return
HEA37R	Air-to-Oil Cooler SAE-20, 30 psi (2 bar) Bypass For System Return
HEA50R	Air-to-Oil Cooler SAE-20, 30 psi (2 bar) Bypass For System Return
HEA54R	Air-to-Oil Cooler SAE-24, 30 psi (2 bar) Bypass For System Return
HEA57R	Air-to-Oil Cooler SAE-32, 30 psi (2 bar) Bypass For System Return
HEA70R	Air-to-Oil Cooler SAE-32, 30 psi (2 bar) Bypass For System Return

#### Motor Starter

Code	Description
Omit	No Motor Starter
MS	Motor Starter (See Power Unit Accessories Catalog For Selection and Sizing - Add Model Code as Required)

#### Valve Mounting

Code	Description
Omit	No Manifold
S3S	Valve Subplate D03 - SAE-8 Ports
S5S	Valve Subplate D05 - SAE-8 Ports
S8S	Valve Subplate D08 - SAE-20 Ports
V3M1S	D03 Valve Manifold 1 Station SAE-8 Ports
V3M2S	D03 Valve Manifold 2 Station SAE-8 Ports
V3M3S	D03 Valve Manifold 3 Station SAE-8 Ports
V3M4S	D03 Valve Manifold 4 Station SAE-8 Ports
V3M5S	D03 Valve Manifold 5 Station SAE-8 Ports
V3M6S	D03 Valve Manifold 6 Station SAE-8 Ports
V5M1S	D05 Valve Manifold 1 Station SAE-8 Ports
V5M2S	D05 Valve Manifold 2 Station SAE-8 Ports
V5M3S	D05 Valve Manifold 3 Station SAE-8 Ports
V5M4S	D05 Valve Manifold 4 Station SAE-8 Ports
V5M5S	D05 Valve Manifold 5 Station SAE-8 Ports
V5M6S	D05 Valve Manifold 6 Station SAE-8 Ports
V8M1S	D08 Valve Manifold 1 Station SAE-16 Ports
V8M2S	D08 Valve Manifold 2 Station SAE-16 Ports
V8M3S	D08 Valve Manifold 3 Station SAE-16 Ports

#### Mechanical or Electrical

Code	Description
Omit	No Mechanic or Electrical Options
D	Tank Drain 3/4 NPT
M	Magnet Separator
CV06	Check Valve SAE-6 3000 psi (207 Bar) 7 psi (.5 bar) Crack
CV08	Check Valve SAE-8 3000 psi (207 Bar) 7 psi (.5 bar) Crack
CV12	Check Valve SAE-12 3000 psi (207 Bar) 7 psi (.5 bar) Crack
CV16	Check Valve SAE-16 3000 psi (207 Bar) 7 psi (.5 bar) Crack
CV20	Check Valve SAE-20 3000 psi (207 Bar) 7 psi (.5 bar) Crack
CV24	Check Valve SAE-24 3000 psi (207 Bar) 7 psi (.5 bar) Crack
BV08	Ball Valve SAE-8, 6000 psi (414 Bar)*
BV12	Ball Valve SAE-12, 6000 psi (414 Bar)*
BV16	Ball Valve SAE-16, 6000 psi (414 Bar)*
BV20	Ball Valve SAE-20, 6000 psi (414 Bar)*
BV24	Ball Valve SAE-24, 6000 psi (414 Bar)*
BV32	Ball Valve SAE-32, 6000 psi (414 Bar)*
FM1	Flow Meter 0 - 10 gpm (0 - 37.8 liters)
FM2	Flow Meter 2 - 30 gpm (7.8 - 113.5 liters)
FM3	Flow Meter 10-75 gpm (37.8-283.9 liters)
LT	Level/Temperature Switch
PS1	Pressure Switch
TS1	Temperature Switch
TH	Tank Heater

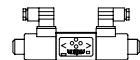
\* Rated pressure

#### Filter

Code	Description
Omit	No Filters
FR*10	Return Filter 10 gpm (37.8 liters)
FR*40	Return Filter 40 gpm (151.4 liters)
FR*80	Return Filter 80 gpm (302.8 liters)
FP*10	Pressure Filter 10 gpm (37.8 liters)
FP*20	Pressure Filter 20 gpm (75.7 liters)
FP*50	Pressure Filter 50 gpm (189.2 liters)
FP*70	Pressure Filter 70 gpm (264.9 liters)

NOTE: All have 10 Micron element with indicator.

*	
C	Visual Indicator
E	Electrical indicator



Select valves as required from the appropriate Continental Hydraulics Catalogs.

For subplate/manifold dimensions and specifications, see the Continental Hydraulics Subplate and Manifold Catalog.

**NOTE:** See the Power Unit Accessories Catalog for complete descriptions and sizing information.  
Add model code as required.



**Continental Hydraulics Division**

5505 West 123rd Street  
Savage, MN 55378 U.S.A.

Phone: (952) 895-6400 Fax: (952) 895-6444

[www.continentalhydraulics.com](http://www.continentalhydraulics.com)

---

Because Continental Hydraulics is continually improving its products,  
specifications and appearance are subject to change without notice.