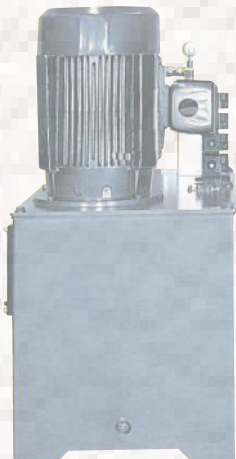
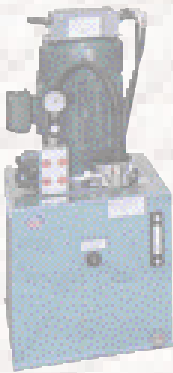




Catalog  
Little Champ<sup>®</sup>  
Hydraulic Power Units



# Little Champ® Power Units

## 3 AND 5 GALLON CAPACITY

### General Specifications/Table of Contents



Little Champ® Power Units are designed for use in locations where space is limited and larger, noisier power units are not needed. They're ideal for applications requiring moderate fluid volume and flow rate, short hydraulic lines and quick cycling.

Typical applications include use with:

- Machine Tools
- Packing Machinery
- Food Processing
- Material Handling

Little Champ® Power Units are the perfect choice for applications involving frequent stops and starts, where localized power is needed, or where the noise and vibration of a large power unit would be distracting.

GENERAL SPECIFICATIONS*	3V	5V
Reservoir Capacity	3 Gal. (11.4 liters)	5 Gal.(18.9 liters)
Surface Area For Heat Transfer	2.22 sq. ft. (2062.4 cm <sup>2</sup> )	3.16 sq. ft. (2935.6 cm <sup>2</sup> )
Heat Dissipation At ΔT	Sq. Ft. of Vertical Steel x ΔT / 1000	
Basic Weight (Less Oil, Pump, and Motor)	41 lbs. (18.6 kg)	47 lbs. (21.3 kg)
Usable Gallons	2.02 Gal. (7.6 liters)	3.44 Gal. (13.0 liters)
Gallons Per Inch Rise	.36 Gal. (1.4 liters)	.36 Gal. (1.4 liters)
Capacity, Full to Top Plate	4.37 Gal. (16.5 liters)	5.81 Gal. (22.0 liters)
Capacity, High on Sight Gauge	2.91 Gal. (11.0 liters)	4.88 Gal. (18.5 liters)
Capacity, Low on Sight Gauge	1.80 Gal. (6.8 liters)	3.78 Gal. (14.3 liters)
<b>Pump Data (See VANE PUMP CATALOG for complete codes and specifications.)</b>		
Flow Range	Up to 3.4 gpm (12.9 lpm)	Up to 4.0 gpm (15.1 lpm)
Pressure Range	Up to 3000 psi (207 bar)	Up to 3000 psi (207 bar)
Power Range	Up to 3 HP (2.2 kW)	Up to 3 HP (2.2 kW)

\* 10 to 40 gallon capacity power units start on page 8.

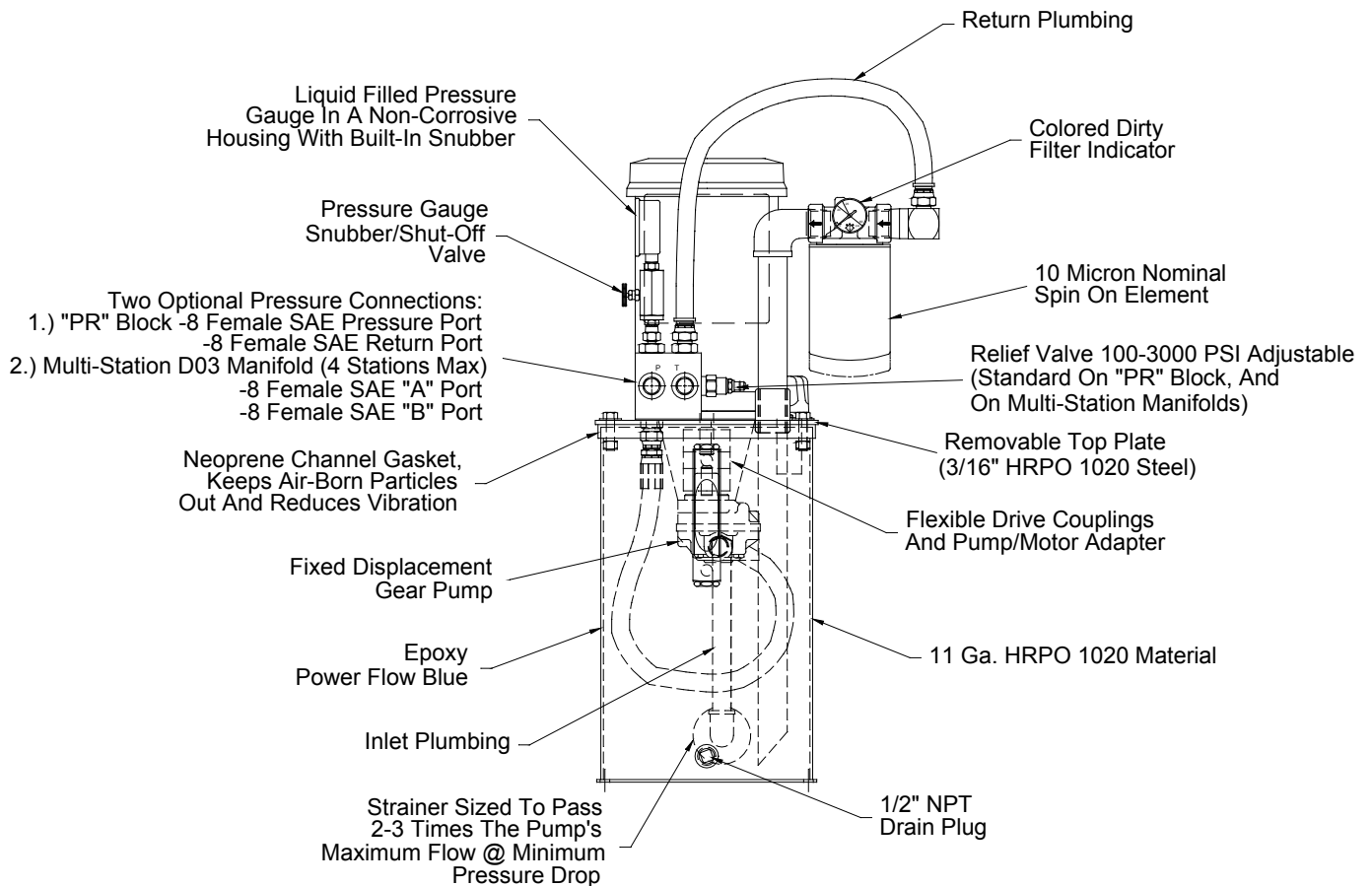
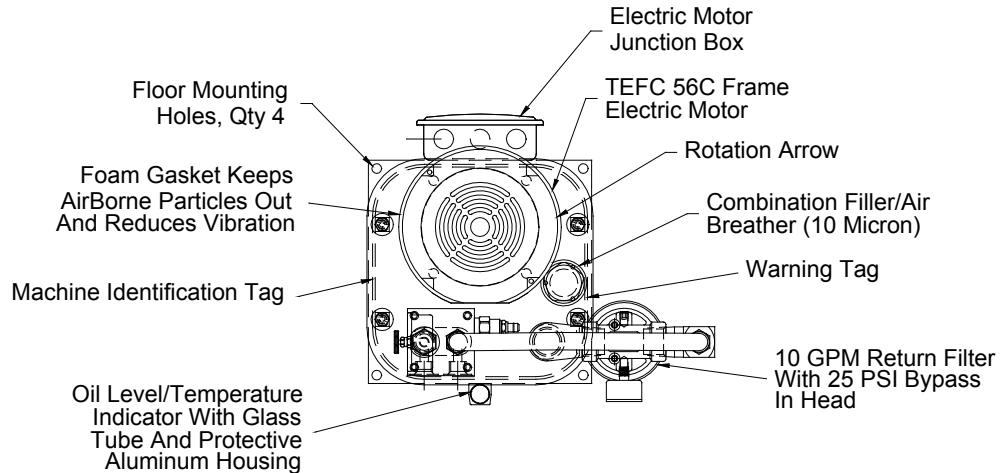
### Table of Contents

3 to 5 Gallon Capacity General Specifications / Table of Contents	2
3 to 5 Gallon Capacity Features	3
Dimension Drawing - 3 to 5 Gallon Capacity Power Unit with Pressure Block	4
Dimension Drawing - 3 to 5 Gallon Capacity Power Unit with Manifold	5
3 to 5 Gallon Capacity Basic Schematics	6
3 to 5 Gallon Capacity Ordering Information	7
10 to 40 Gallon Capacity General Specifications/Table of Contents	8

# Little Champ® Power Units

## 3 AND 5 GALLON CAPACITY

### Features



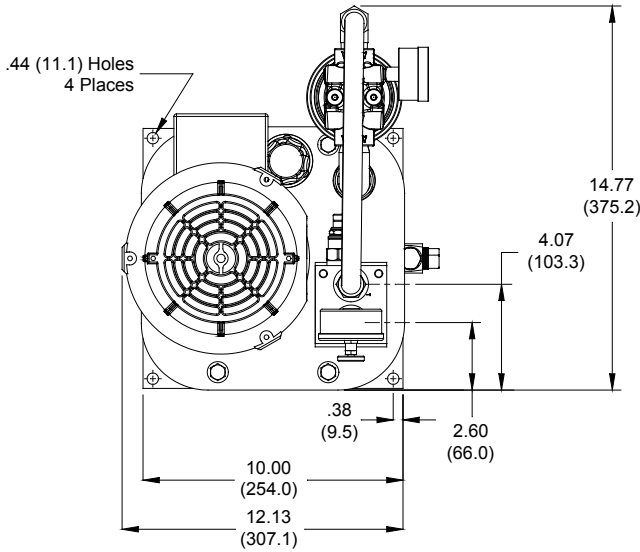
# Little Champ® Power Units

3 AND 5 GALLON CAPACITY

## Dimension Drawing - Power Unit With Pressure Block



Dimensions shown in: Inches (± .125)  
(millimeters (± 1 mm))

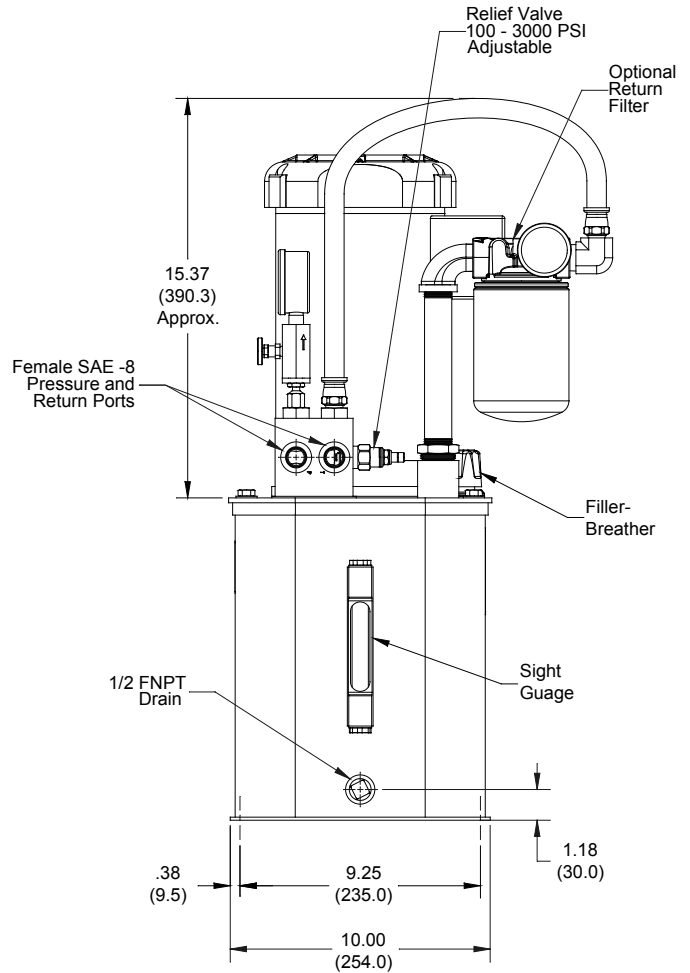
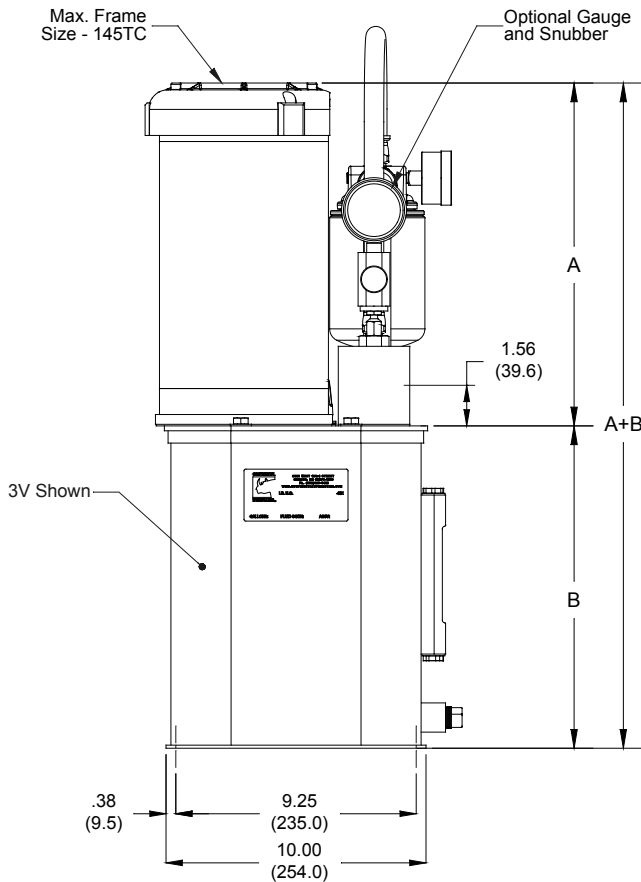


### Dimensions A and B

Motor Frame	Code	A (±.125)
56C	005T	9.92 (252.0)
56C	005S	10.44 (265.2)
56C	007T	9.92 (252.0)
56C	007S	9.92 (252.0)
56C	010T	9.92 (252.0)
56C	010S	10.92 (277.4)
56C	015T	10.92 (277.4)
56C	015S	12.98 (329.7)
56C	020T	11.98 (304.3)
56C	030T	13.37 (339.6)

Reservoir	B
3V	12.44 (316.0)
5V	16.44 (417.6)

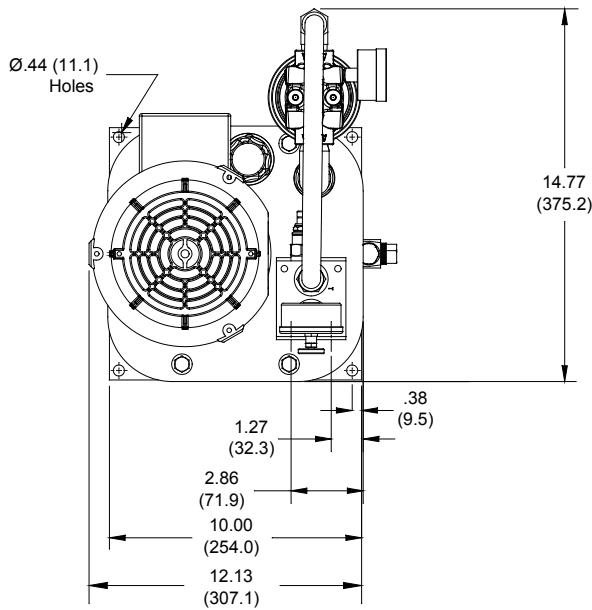


# Little Champ® Power Units

## 3 AND 5 GALLON CAPACITY

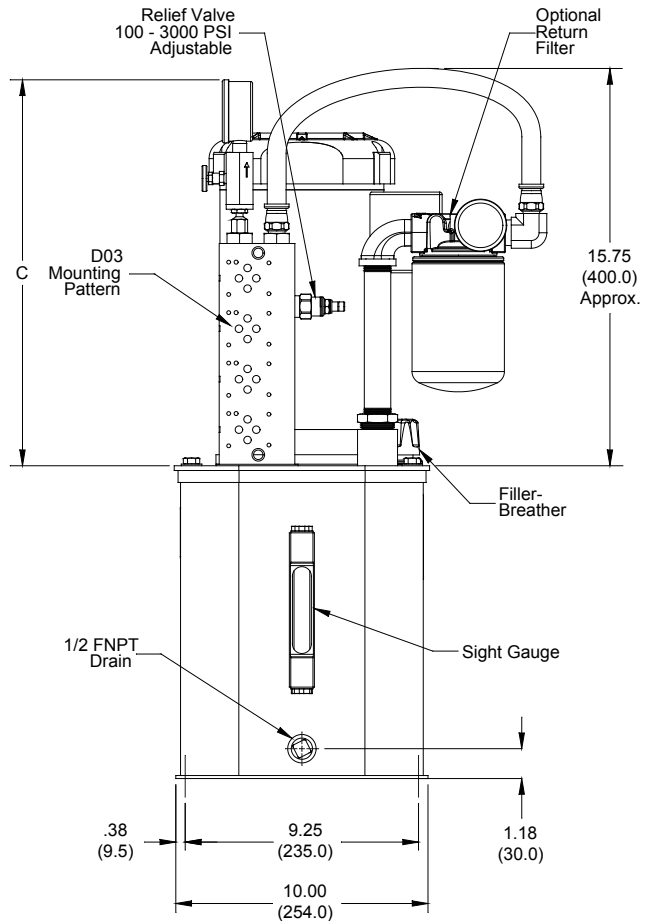
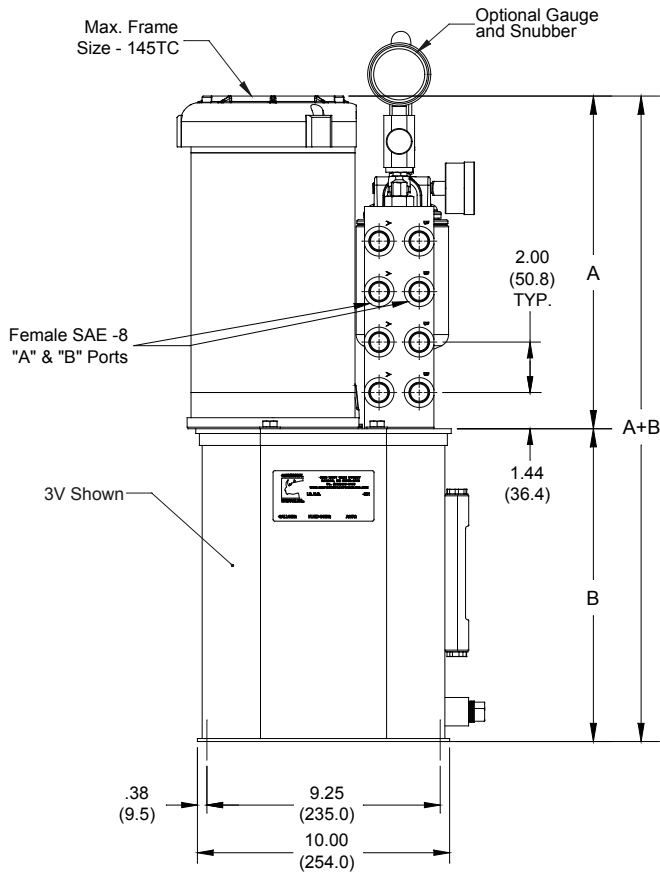
### Dimension Drawing - Power Unit With Manifold

Dimensions shown in: Inches (± .125)  
 (millimeters (± 1 mm))



**Dimensions A and B**

Motor Frame	Code	A (±.125)	No. of Stations	C
56C	005T	9.92 (252.0)		
56C	005S	10.44 (265.2)	2	12.38 (314.5)
56C	007T	9.92 (252.0)	3	14.50 (368.3)
56C	007S	9.92 (252.0)	4	16.63 (422.4)
56C	010T	9.92 (252.0)		
56C	010S	10.92 (277.4)		
56C	015T	10.92 (277.4)		
56C	015S	12.98 (329.7)		
56C	020T	11.98 (304.3)		
56C	030T	13.37 (339.6)		
Reservoir	B			
3V	12.44 (316.0)			
5V	16.44 (417.6)			



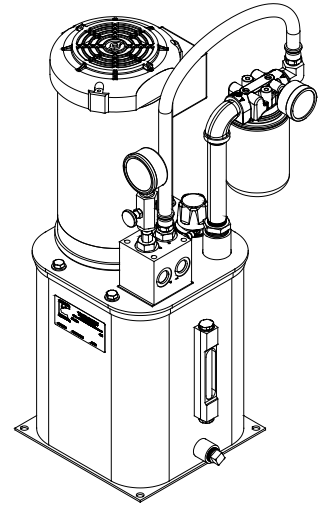
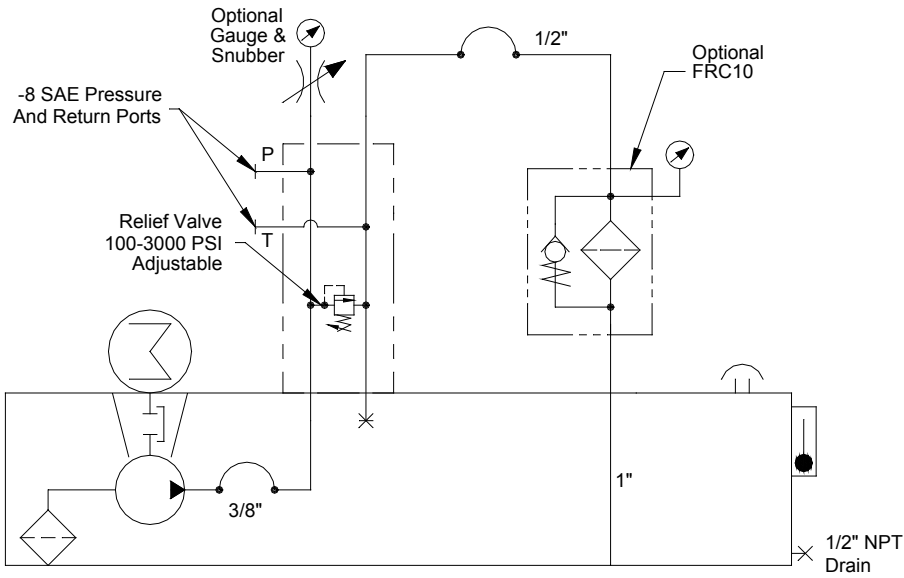
# Little Champ® Power Units

## 3 AND 5 GALLON CAPACITY

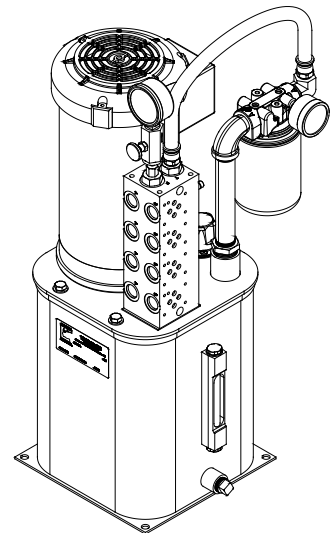
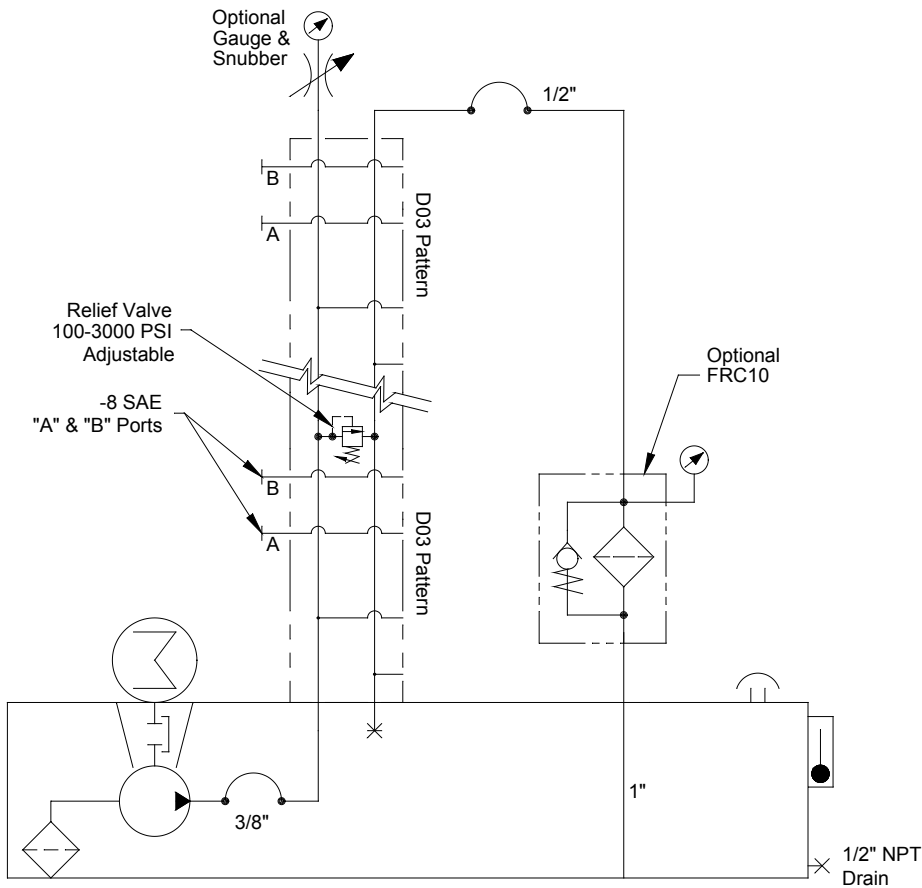
### Basic Schematics



#### With Pressure Block



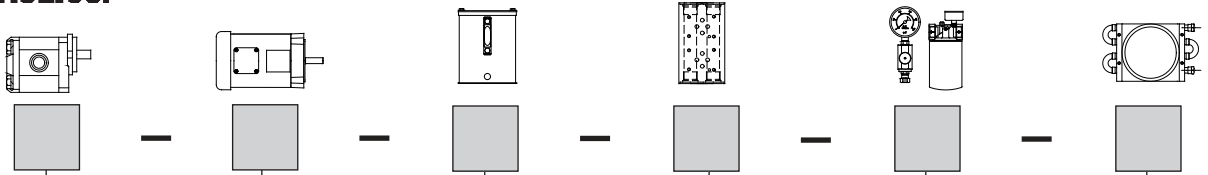
#### With Manifold



# Little Champ® Power Units

## 3 AND 5 GALLON CAPACITY

### Ordering Information



#### Gear Pump

Code	gpm (lpm) @ 1725 rpm Max. Press.	Max. Pressure psi (bar)
G0.6B30	.545 (2.1)	3000 (207)
G0.8B30	.769 (2.9)	3000 (207)
G1.1B30	1.14 (4.3)	3000 (207)
G1.6B30	1.59 (6.0)	3000 (207)
G2.0B30	1.96 (7.4)	3000 (207)
G2.3B30	2.28 (8.6)	3000 (207)
G3.0B27	2.96 (11.2)	2700 (186)
G3.4B26	3.44 (13.0)	2600 (179)
G2.0B31.5	1.96 (7.4)	3150 (217)
G2.9B31.5	2.87 (10.7)	3150 (217)
G3.8B31.5	3.78 (14.3)	3150 (217)
G5.0B30	5.01 (19.0)	3000 (207)
G6.8B30	6.83 (25.8)	3000 (207)
G8.7B30	8.65 (32.7)	3000 (207)



Select gear pump from the Power Unit Accessories Catalog.

**NOTE:** Pump and motor ranges listed for each reservoir size are standard combinations. For special combinations, please discuss your application with your Continental Hydraulics distributor or the factory.

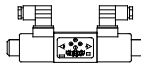
#### Motor

Code	H.P.	Voltage*	Frame Size
005T	0.5	208/230/460/60/3	56C
005S	0.5	115/208/230/60/1	56C
007T	.75	208/230/460/60/3	56C
007S	.75	115/208/230/60/1	56C
010T	1	208/230/460/60/3	56C
010S	1	115/208/230/60/1	56C
015T	1.5	208/230/460/60/3	56C
015S	1.5	115/208/230/60/1	56C
020T	2	208/230/460/60/3	56C
030T	3	208/230/460/60/3	56C

\*1800 rpm

#### Pressure Manifold

Code	Description
PR	Pressure Block With Built-In Relief SAE-8 "P" & "T" Female Ports
V1R	Single Station Manifold D03 With Built-In Relief, SAE-8 "A" & "B" Female Ports
V2R	Two Station Manifold D03 With Built-In Relief, SAE-8 "A" & "B" Female Ports
V3R	Three Station Manifold D03 With Built-In Relief, SAE-8 "A" & "B" Female Ports
V4R	Four Station Manifold D03 With Built-In Relief, SAE-8 "A" & "B" Female Ports



Select valves as required from the appropriate Continental Hydraulics Catalogs.

For manifold dimensions and specifications, see the Daman Products LC Manifold Catalog.

#### Options

Code	Description
Omit	No Options
G1	Pressure Gauge 0 - 1000 psi
G1.5	Pressure Gauge 0 - 1500 psi
G2	Pressure Gauge 0 - 2000 psi
G3	Pressure Gauge 0 - 3000 psi
G5	Pressure Gauge 0 - 5000 psi
N	Relief Valve SAE-4
FRC10	Return Filter 10 gpm, 10 Micron With Indicator

#### Heat Exchanger

Code	Description
Omit	No Cooler Option
HEA42R	Air-to-Oil Cooler HEA42 For Return Line, SAE-8

#### Reservoir

Code	Gallon Size
3V	3
5V	5

#### Typical Ordering Code

**G2.3B30-020T-5V-V2R-G3N-FRC10** (Power Unit)  
**VSD03M-3A-GB-60L** (Directional Control Valve - Qty. 2)  
**F03MSV-NDC-AA** (Flow Control Valve - Qty. 2)  
**BD03-250** (Bolt Kit - Qty. 2)

# Little Champ® Power Units

## 5 TO 40 GALLON CAPACITY

### General Specifications/Table of Contents



GENERAL SPECIFICATIONS	5VS	10V	20V	30V	40V
Reservoir Capacity	5 Gallons (18.9 liter)	10 Gallons (37.8 liters)	20 Gallons (75.7 liters)	30 Gallons (113.5 liters)	40 Gallons (151.4 liters)
Surface Area For Heat Transfer	3.16 sq. ft. (2935.6 cm <sup>2</sup> )	6.67 sq. ft. (6196.4 cm <sup>2</sup> )	8.75 sq. ft. (8128.7 cm <sup>2</sup> )	12.64 sq. ft. (11742.6 cm <sup>2</sup> )	16.53 sq.ft. (15356.4 cm <sup>2</sup> )
Heat Dissipation At $\Delta T$	Sq. Ft. of Vertical Steel x $\Delta T$ / 1000				
Basic Weight (Less Oil, Pump, and Motor)	47 Pounds (21.3 kg)	77 Pounds (34.9 kg)	103 Pounds (46.7 kg)	120 Pounds (54.4 kg)	145 Pounds (65.8 kg)
Usable Gallons	3.00 Gallons (11.4 liters)	6.25 Gallons (23.7 liters)	16.00 Gallons (60.6 liters)	25.25 Gallons (95.6 liters)	36.50 Gallons (138.1 liters)
Gallons Per Inch Rise	0.60 Gallons (2.3 liters)	1.09 Gallons (4.1 liters)	1.33 Gallons (5.0 liters)	1.33 Gallons (5.0 liters)	1.33 Gallons (5.0 liters)
Capacity, Full to Top Plate	6.02 Gallons (22.8 liters)	16.35 Gallons (61.9 liters)	23.94 Gallons (90.6 liters)	34.58 Gallons (130.9 liters)	45.22 Gallons (171.2 liters)
Capacity, High on Sight Gauge	4.74 Gallons (17.9 liters)	10.15 Gallons (38.4 liters)	20.62 Gallons (78.0 liters)	29.93 Gallons (113.3 liters)	41.23 Gallons (156.1 liters)
Capacity, Low on Sight Gauge	2.93 Gallons (11.1 liters)	6.75 Gallons (25.4 liters)	16.63 Gallons (62.9 liters)	25.94 Gallons (98.2 liters)	37.24 Gallons (141.0 liters)
<b>Pump Data (See VANE PUMP CATALOG for complete codes and specifications.)</b>					
Flow Range	Up to 11 GPM (41.6 liters)	Up to 11 GPM (41.6 liters)	Up to 11 GPM (41.6 liters)	Up to 11 GPM (41.6 liters)	Up to 11 GPM (41.6 liters)
Pressure Range	Up to 3150 PSI (Up to 217 bar)	Up to 3150 PSI (Up to 217 bar)	Up to 3150 PSI (Up to 217 bar)	Up to 3150 PSI (Up to 217 bar)	Up to 3150 PSI (Up to 217 bar)
Power Range	Up to 5 HP (Up to 3.7 kW)	Up to 20 HP (up to 14.9 kW)	Up to 20 HP (up to 14.9 kW)	Up to 20 HP (up to 14.9 kW)	Up to 20 HP (up to 14.9 kW)

### Table of Contents

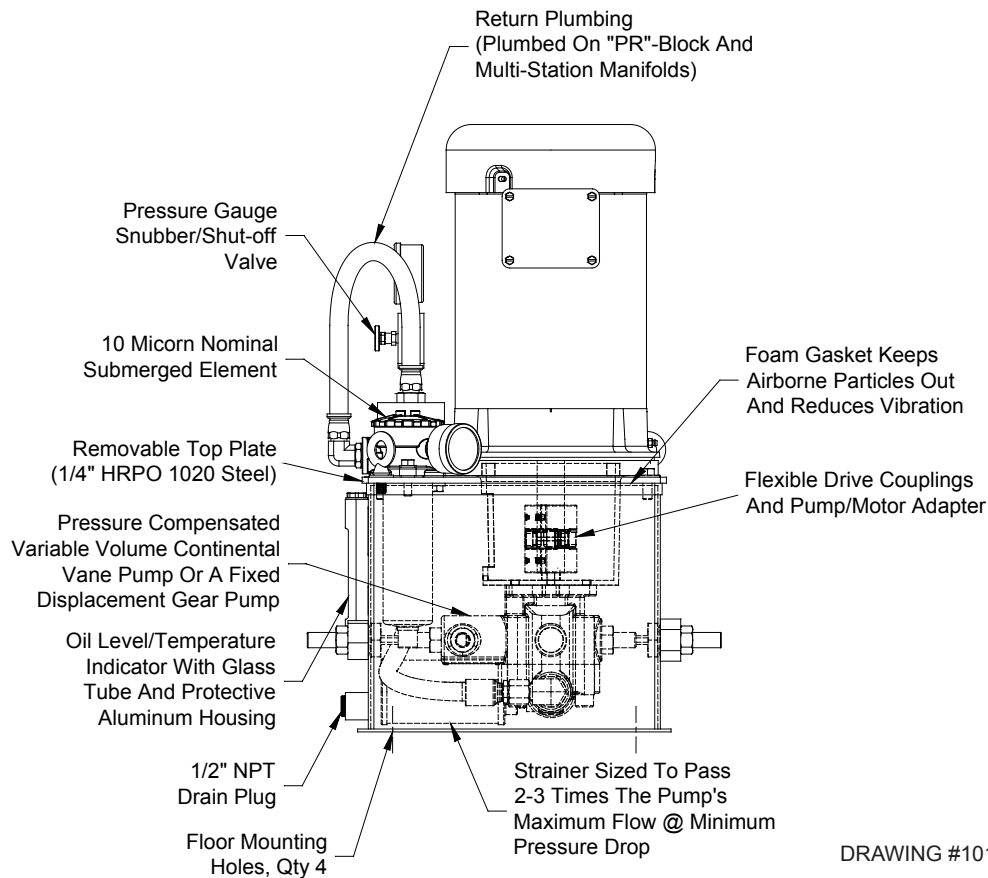
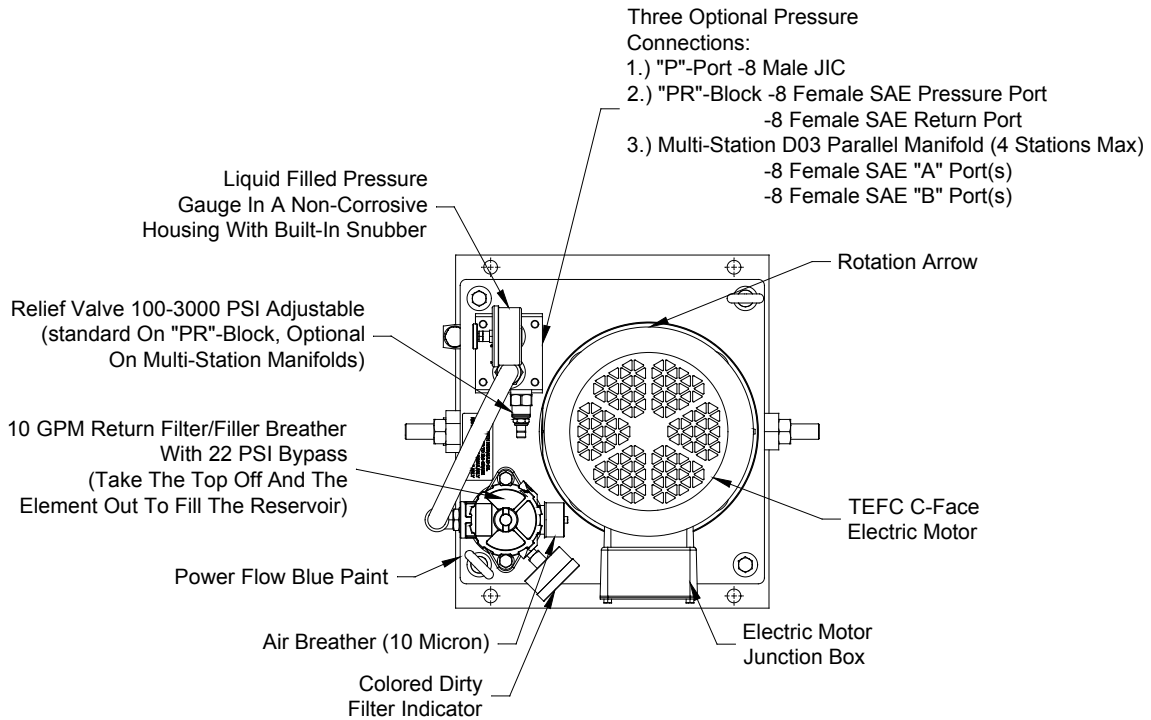
5 to 40 Gallon Capacity General Specifications .....	8
5 Gallon Capacity Features .....	9
Dimension Drawing - 5 Gallon Capacity Power Unit with Pressure Connection .....	10
Dimension Drawing - 5 Gallon Capacity Power Unit with Pressure Block .....	11
Dimension Drawing - 5 Gallon Capacity Power Unit with Manifold .....	12
10 to 40 Gallon Capacity Features .....	13
Dimension Drawing - 10 to 40 Gallon Power Unit with Pressure Connection .....	14
Dimension Drawing - 10 to 40 Gallon Power Unit with Pressure Block .....	15
Dimension Drawing - 10 to 40 Gallon Power Unit with Manifold .....	16
5 to 40 Gallon Capacity Basic Schematics - Pressure Connection/Pressure Block .....	17
5 to 40 Gallon Capacity Basic Schematics - Manifold .....	18
Dimension Drawing - 5 to 40 Gallon Capacity Heat Exchanger Locations .....	19-21
5 to 40 Gallon Capacity Ordering Information .....	22



# Little Champ® Power Units

## 5 GALLON CAPACITY

### Features

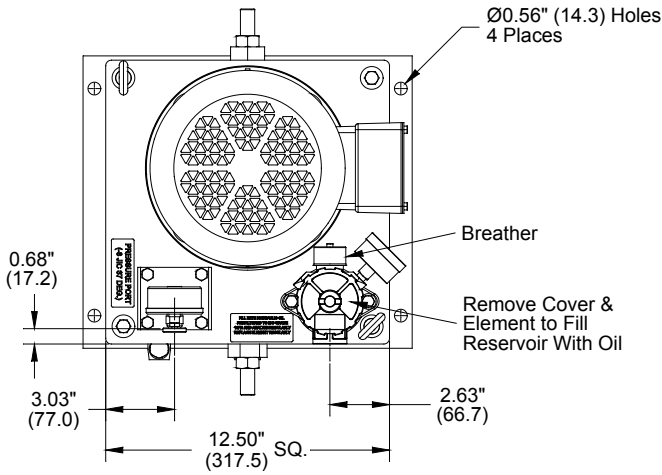


DRAWING #1014255

# Little Champ® Power Units

5 GALLON CAPACITY

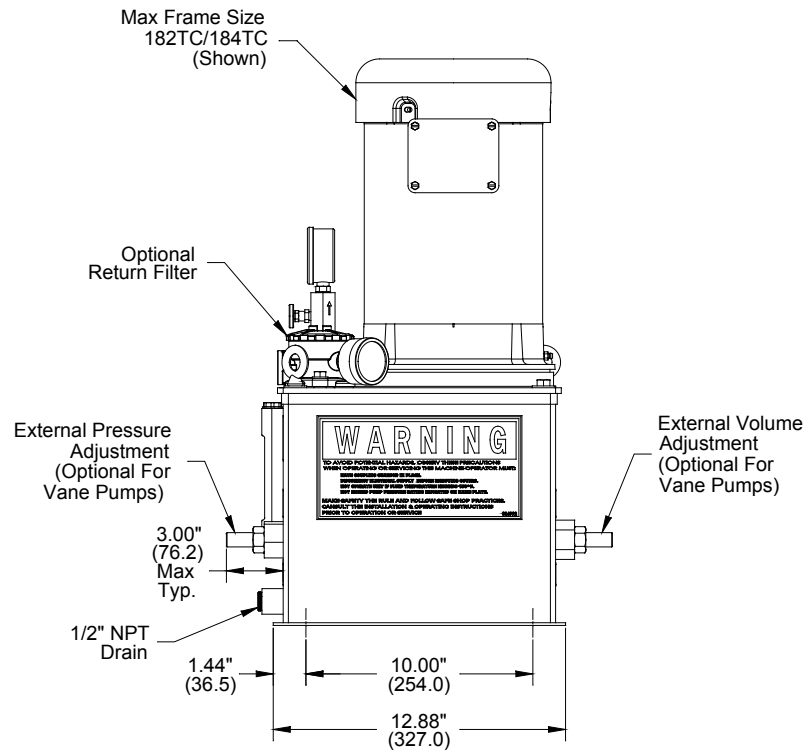
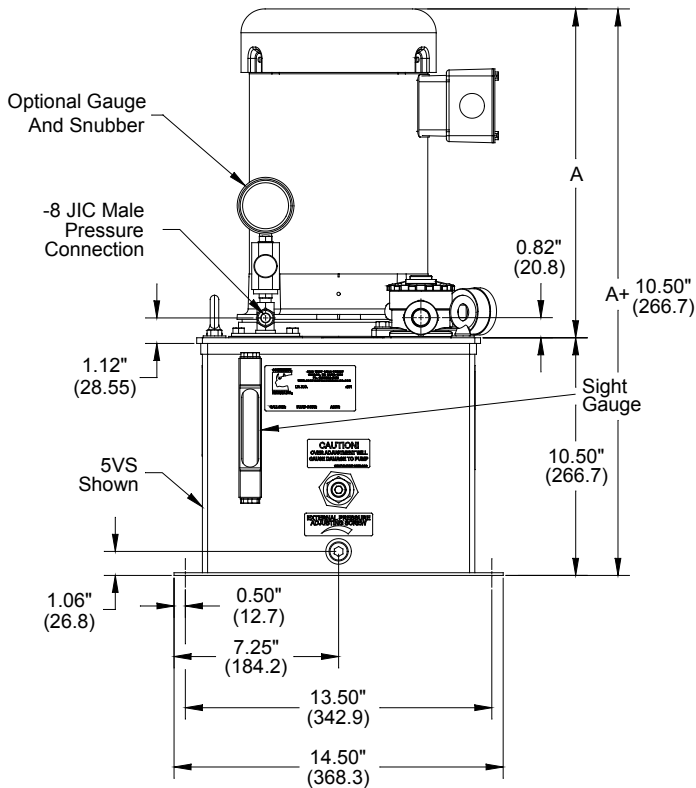
Dimension Drawing - Power Unit With Pressure Connection



Dimensions shown in: Inches (± .125)  
(millimeters (± 1 mm))

### Dimension A

Motor Frame	Code	A (±.125)
56C	005T	9.92 (252.0)
56C	005S	10.44 (265.2)
56C	007T	9.92 (252.0)
56C	007S	9.92 (252.0)
56C	010T	9.92 (252.0)
56C	010S	10.92 (277.4)
56C	015T	10.92 (277.4)
56C	015S	12.98 (329.7)
56C	020T	11.98 (304.3)
145TC	020S	12.97 (329.4)
56C	030T	13.37 (339.6)
184TC	030S	14.43 (366.5)
184TC	050T	15.06 (382.5)



DRAWING #1014254

# Little Champ® Power Units

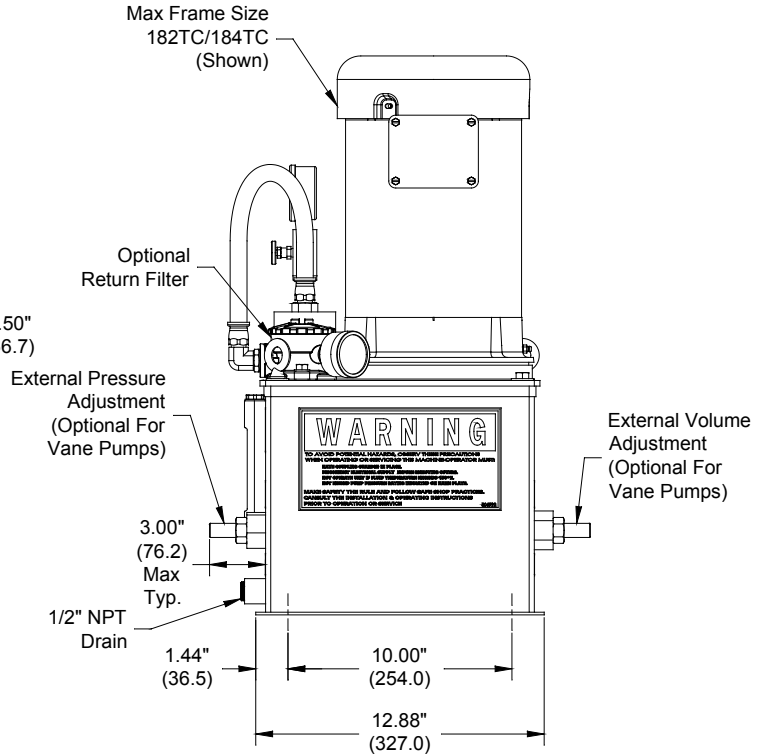
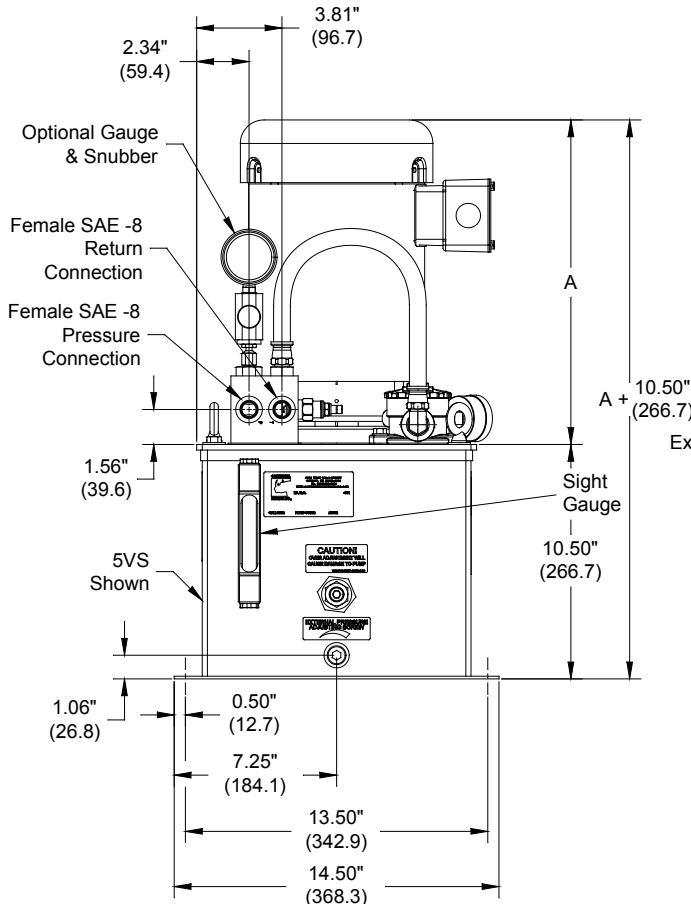
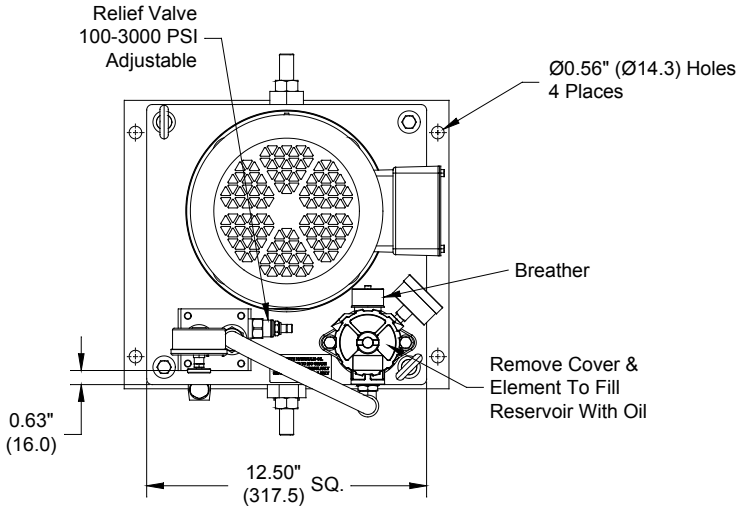
## 5 GALLON CAPACITY

### Dimension Drawing - Power Unit With Pressure Block

Dimensions shown in: Inches (± .125)  
 (millimeters (± 1 mm))

#### Dimension A

Motor Frame	Code	A (±.125)
56C	005T	9.92 (252.0)
56C	005S	10.44 (265.2)
56C	007T	9.92 (252.0)
56C	007S	9.92 (252.0)
56C	010T	9.92 (252.0)
56C	010S	10.92 (277.4)
56C	015T	10.92 (277.4)
56C	015S	12.98 (329.7)
145TC	020S	12.97 (329.4)
56C	030T	13.37 (339.6)
184TC	030S	14.43 (366.5)
184TC	050T	15.06 (382.5)



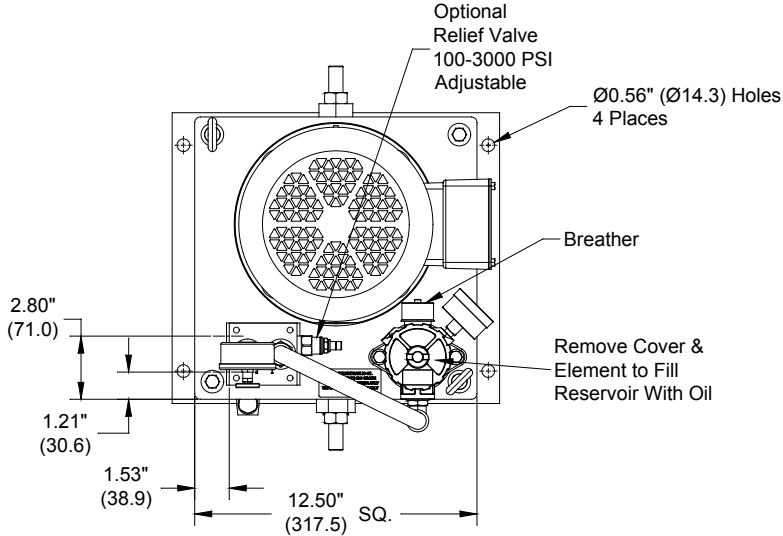
DRAWING #1014255

# Little Champ® Power Units

## 5 GALLON CAPACITY

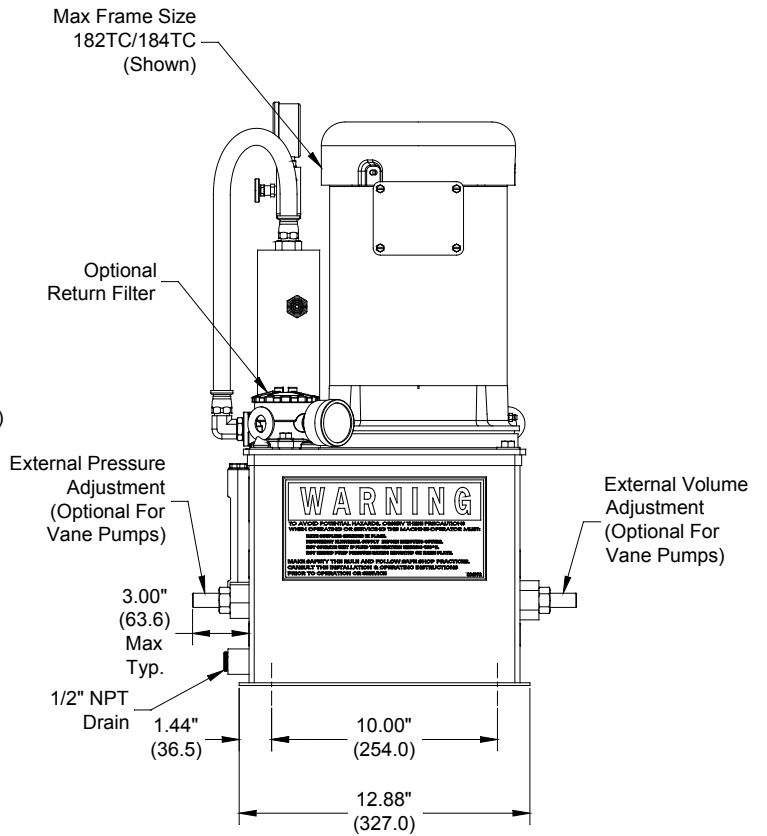
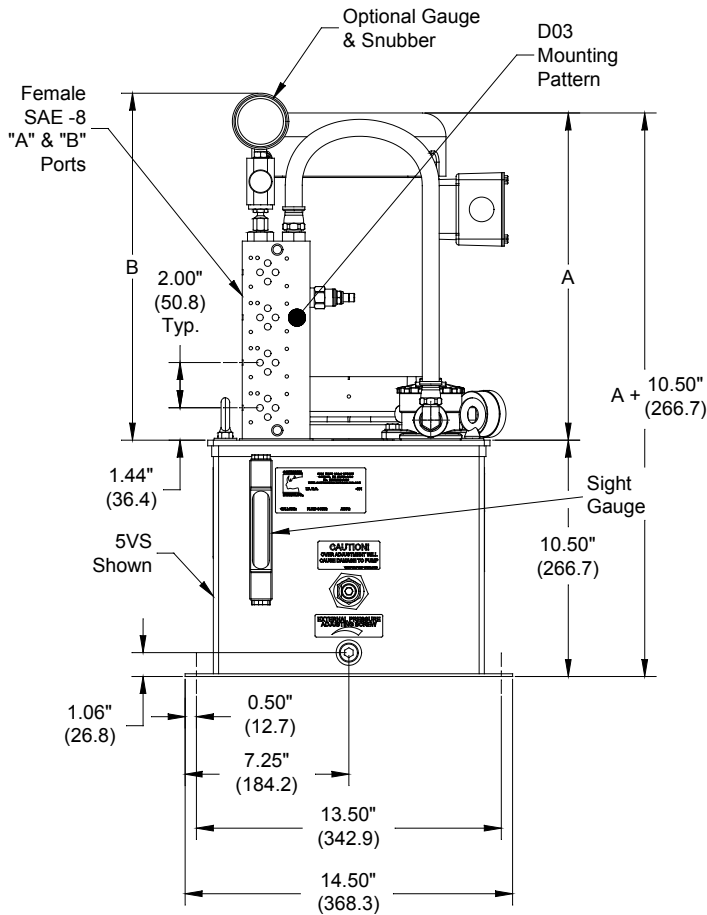
### Dimension Drawing - Power Unit With Manifold

Dimensions shown in: Inches (± .125)  
 (millimeters (± 1 mm))



#### Dimension A

Motor Frame	Code	A (±.125)	No. of Stations	B
56C	005T	9.92 (252.0)	1	10.25 (260.3)
56C	005S	10.44 (265.2)	2	12.38 (314.5)
56C	007T	9.92 (252.0)	3	14.50 (368.3)
56C	007S	9.92 (252.0)	4	16.63 (422.4)
56C	010T	9.92 (252.0)		
56C	010S	10.92 (277.4)		
56C	015T	10.92 (277.4)		
56C	015S	12.98 (329.7)		
56C	020T	11.98 (304.3)		
145TC	020S	12.97 (329.4)		
56C	030T	13.37 (339.6)		
184TC	030S	14.43 (366.5)		
184TC	050T	15.06 (382.5)		

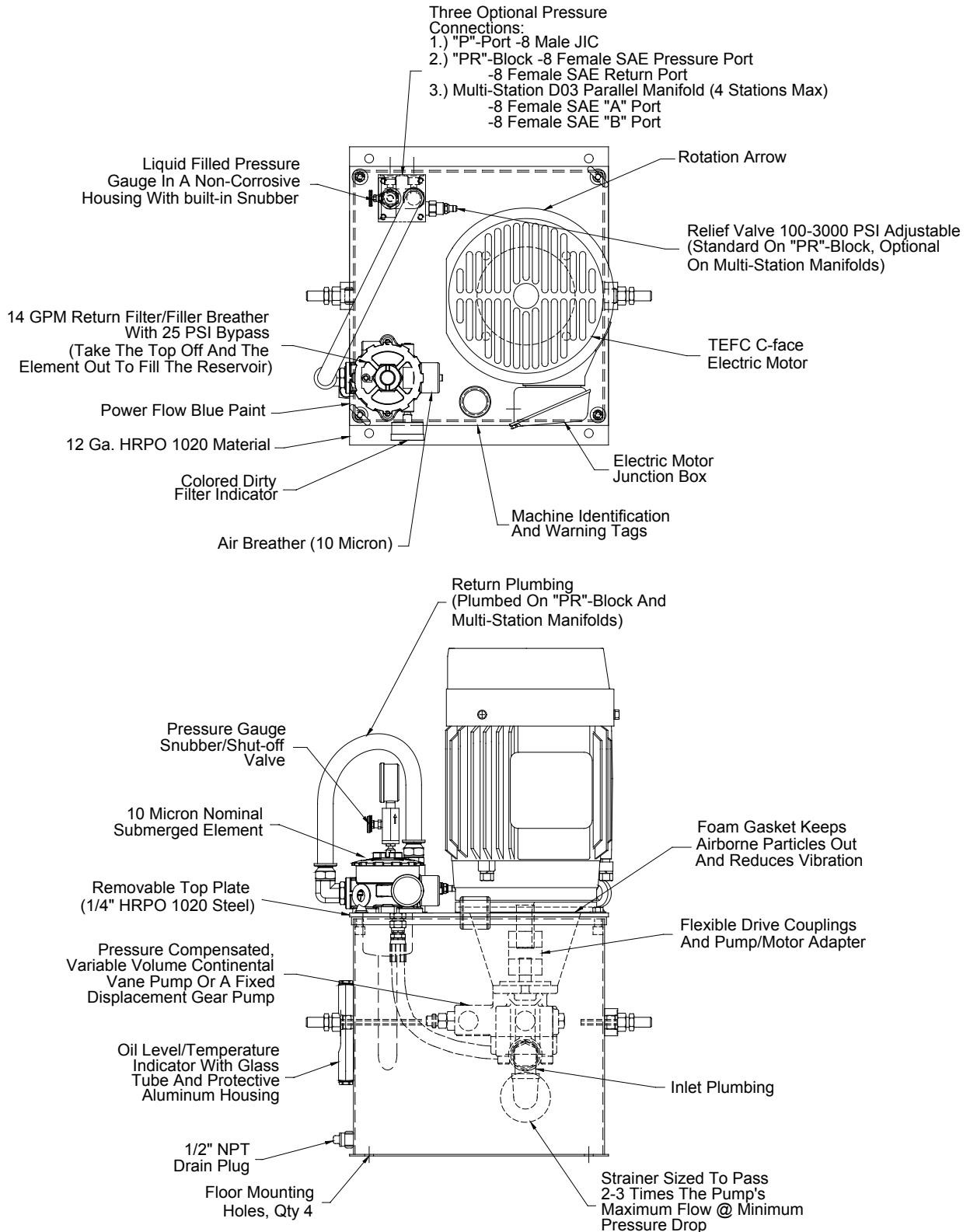


DRAWING #1014264

# Little Champ® Power Units

## 10 TO 40 GALLON CAPACITY

### Features

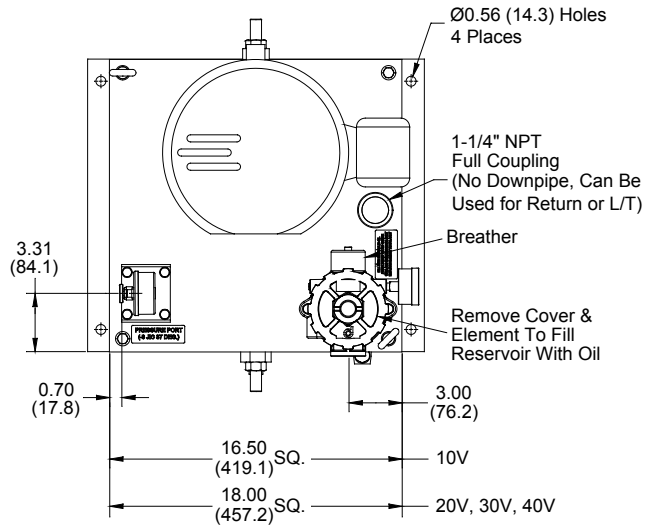


DRAWING #957331

# Little Champ® Power Units

10 TO 40 GALLON CAPACITY

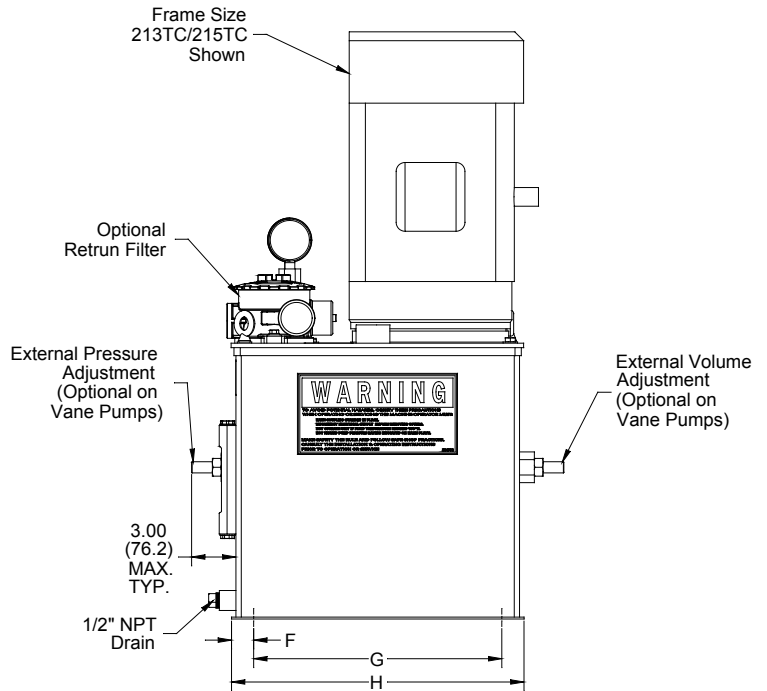
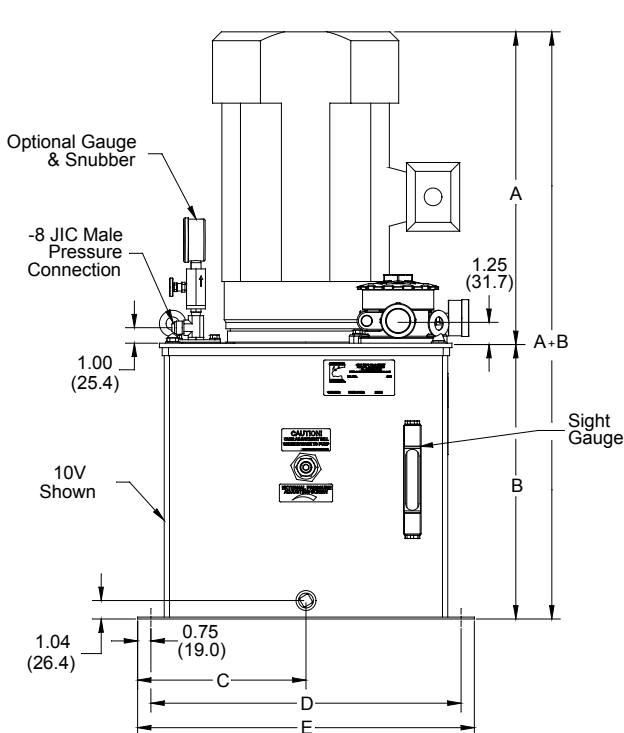
## Dimension Drawing - Power Unit With Pressure Connection



**Dimension A**

Motor Frame	Code	A (±.125)
56C	005T	9.92 (252.0)
56C	005S	10.44 (265.2)
56C	007T	9.92 (252.0)
56C	007S	9.92 (252.0)
56C	010T	9.92 (252.0)
56C	010S	10.92 (277.4)
56C	015T	10.92 (277.4)
56C	015S	12.98 (329.7)
56C	020T	11.98 (304.3)
145TC	020S	12.97 (329.4)
56C	030T	13.37 (339.6)
184TC	030S	14.43 (366.5)
184TC	050T	15.06 (382.5)
213TC	075T	17.56 (446.0)
215TC	100T	17.56 (446.0)
254TC	150T	23.03 (585.0)
256TC	200T	23.03 (585.0)

Dimensions shown in: Inches (± .125)  
 (millimeters (± 1 mm))



**Dimensions B through H**

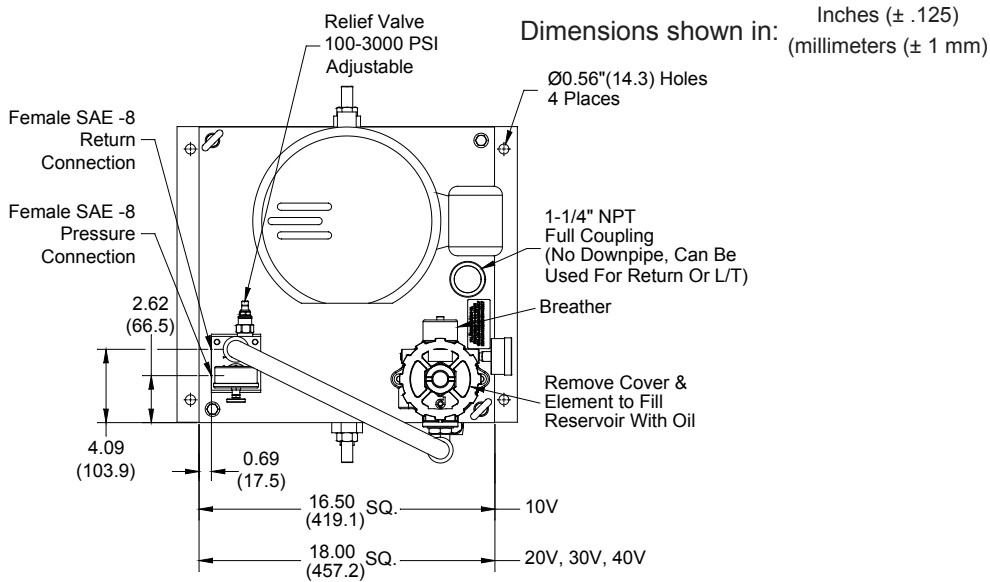
Reservoir	B	C	D	E	F	G	H
10V	15.44 (392.2)	9.50 (241.3)	17.50 (444.5)	19.00 (482.6)	1.25 (31.7)	14.00 (355.6)	16.50 (419.1)
20V	18.44 (468.4)	10.25 (260.3)	19.00 (482.6)	20.50 (520.7)	1.50 (38.1)	15.00 (381.0)	18.00 (457.2)
30V	26.44 (671.6)	10.25 (260.3)	19.00 (482.6)	20.50 (520.7)	1.50 (38.1)	15.00 (381.0)	18.00 (457.2)
40V	34.44 (874.8)	10.25 (260.3)	19.00 (482.6)	20.50 (520.7)	1.50 (38.1)	15.00 (381.0)	18.00 (457.2)

DRAWING #1002816

# Little Champ® Power Units

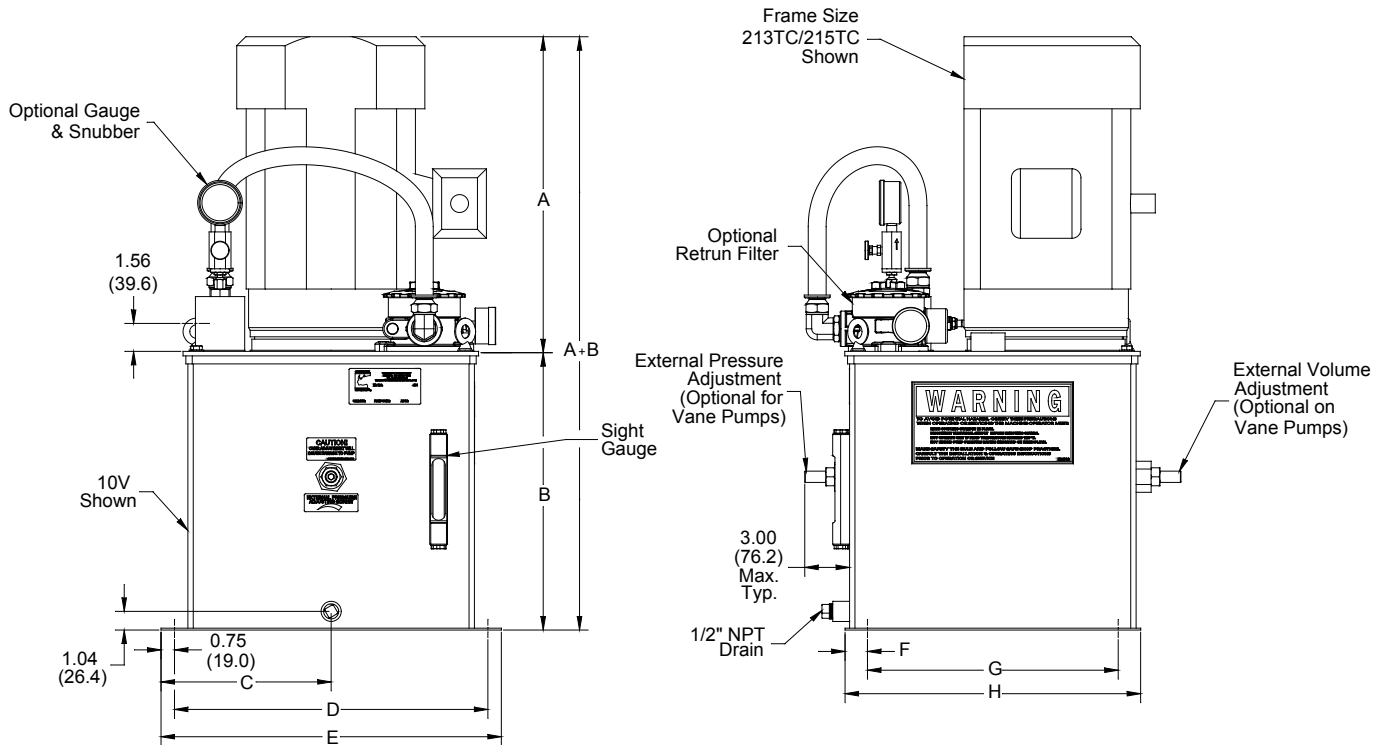
## 10 TO 40 GALLON CAPACITY

### Dimension Drawing - Power Unit With Pressure Block



**Dimension A**

Motor Frame	Code	A (±.125)
56C	005T	9.92 (252.0)
56C	005S	10.44 (265.2)
56C	007T	9.92 (252.0)
56C	007S	9.92 (252.0)
56C	010T	9.92 (252.0)
56C	010S	10.92 (277.4)
56C	015T	10.92 (277.4)
56C	015S	12.98 (329.7)
56C	020T	11.98 (304.3)
145TC	020S	12.97 (329.4)
56C	030T	13.37 (339.6)
184TC	030S	14.43 (366.5)
184TC	050T	15.06 (382.5)
213TC	075T	17.56 (446.0)
215TC	100T	17.56 (446.0)
254TC	150T	23.03 (585.0)
256TC	200T	23.03 (585.0)



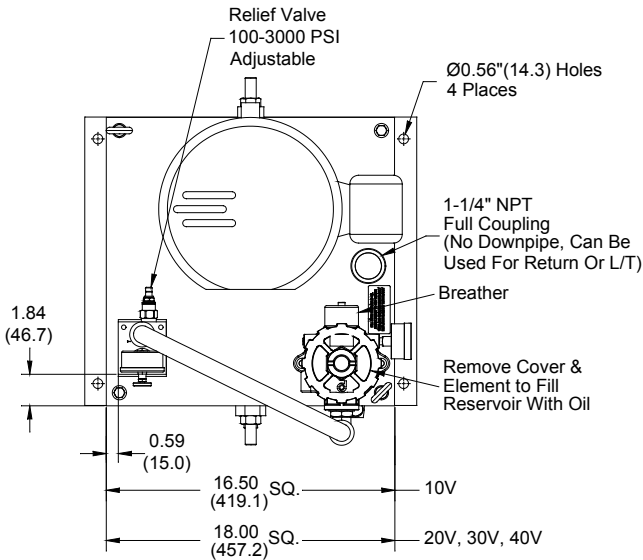
**Dimensions B through H**

Reservoir	B	C	D	E	F	G	H
10V	15.44 (392.2)	9.50 (241.3)	17.50 (444.5)	19.00 (482.6)	1.25 (31.7)	14.00 (355.6)	16.50 (419.1)
20V	18.44 (468.4)	10.25 (260.3)	19.00 (482.6)	20.50 (520.7)	1.50 (38.1)	15.00 (381.0)	18.00 (457.2)
30V	26.44 (671.6)	10.25 (260.3)	19.00 (482.6)	20.50 (520.7)	1.50 (38.1)	15.00 (381.0)	18.00 (457.2)
40V	34.44 (874.8)	10.25 (260.3)	19.00 (482.6)	20.50 (520.7)	1.50 (38.1)	15.00 (381.0)	18.00 (457.2)

# Little Champ® Power Units

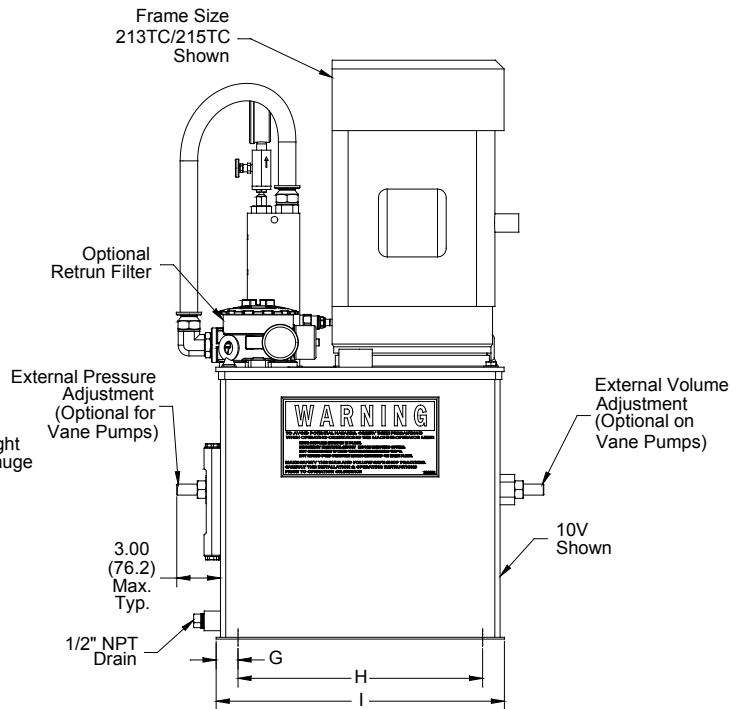
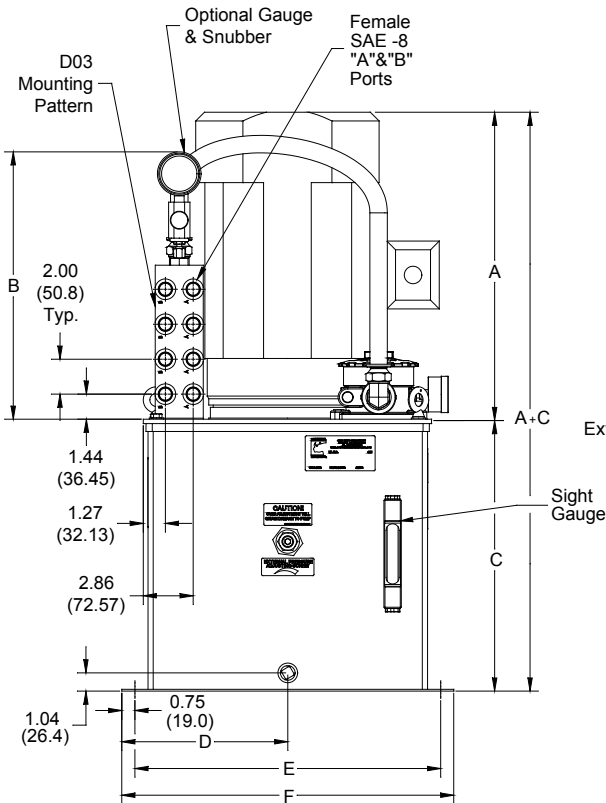
10 TO 40 GALLON CAPACITY

## Dimension Drawing - Power Unit With Manifold



### Dimension A and B

Motor Frame	Code	A (±.125)	No. of Stations	B
56C	005T	9.92 (252.0)	1	10.25 (260.3)
56C	005S	10.44 (265.2)	2	12.38 (314.5)
56C	007T	9.92 (252.0)	3	14.50 (368.3)
56C	007S	9.92 (252.0)	4	16.63 (422.4)
56C	010T	9.92 (252.0)		
56C	010S	10.92 (277.4)		
56C	015T	10.92 (277.4)		
56C	015S	12.98 (329.7)		
56C	020T	11.98 (304.3)		
145TC	020S	12.97 (329.4)		
56C	030T	13.37 (339.6)		
184TC	030S	14.43 (366.5)		
184TC	050T	15.06 (382.5)		
213TC	075T	17.56 (446.0)		
215TC	100T	17.56 (446.0)		
254TC	150T	23.03 (585.0)		
256TC	200T	23.03 (585.0)		



Dimensions shown in: Inches (± .125)  
 (millimeters (± 1 mm))

### Dimensions B through H

Reservoir	C	D	E	F	G	H	I
10V	15.44 (392.2)	9.50 (241.3)	17.50 (444.5)	19.00 (482.6)	1.25 (31.7)	14.00 (355.6)	16.50 (419.1)
20V	18.44 (468.4)	10.25 (260.3)	19.00 (482.6)	20.50 (520.7)	1.50 (38.1)	15.00 (381.0)	18.00 (457.2)
30V	26.44 (671.6)	10.25 (260.3)	19.00 (482.6)	20.50 (520.7)	1.50 (38.1)	15.00 (381.0)	18.00 (457.2)
40V	34.44 (874.8)	10.25 (260.3)	19.00 (482.6)	20.50 (520.7)	1.50 (38.1)	15.00 (381.0)	18.00 (457.2)

DRAWING #1003887A

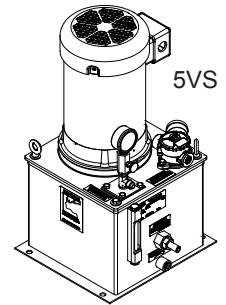
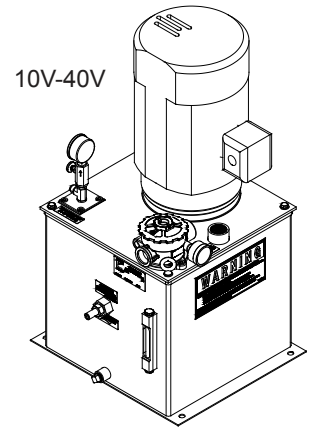
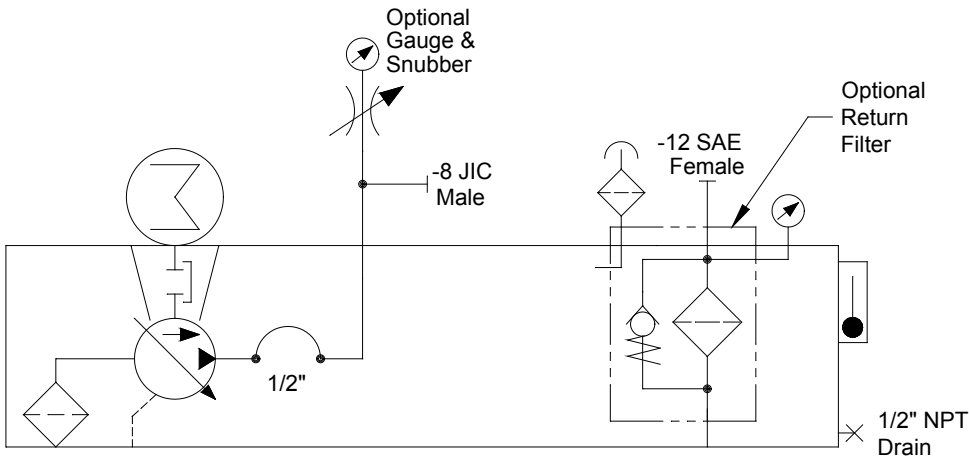


# Little Champ® Power Units

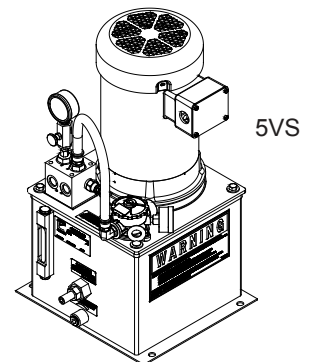
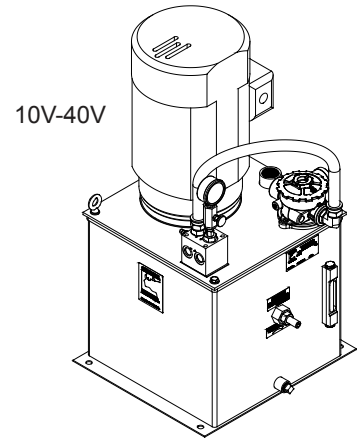
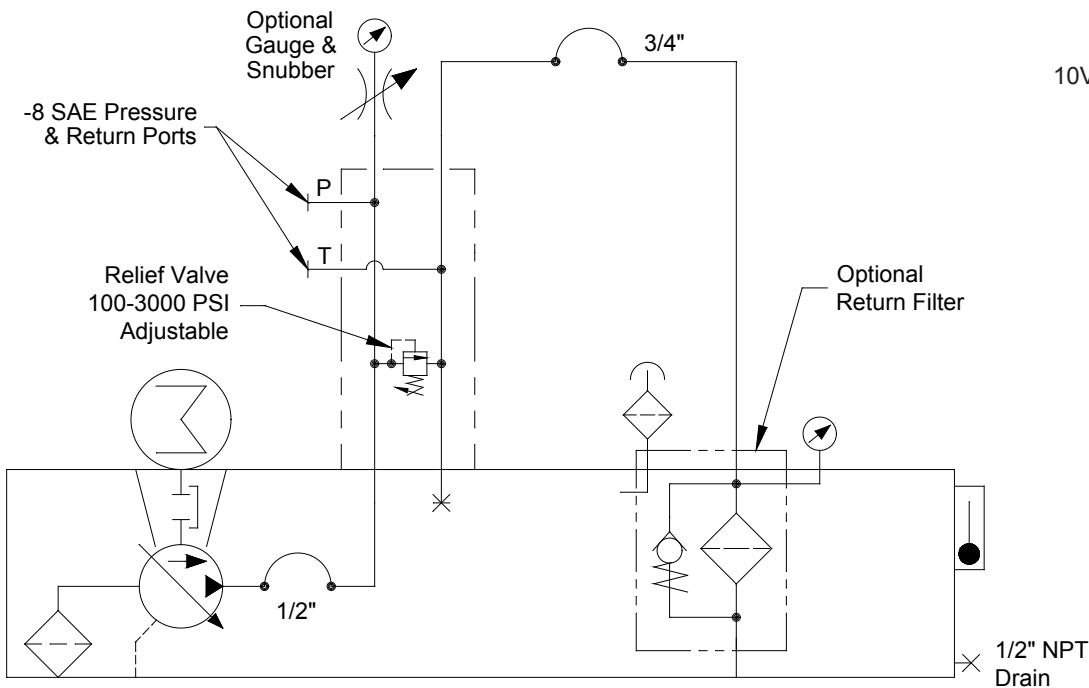
5 TO 40 GALLON CAPACITY

## Basic Schematics - Pressure Connection/PressureBlock

With Pressure Connection



With Pressure Block



# Little Champ® Power Units

5 TO 40 GALLON CAPACITY

Basic Schematics - For Manifold

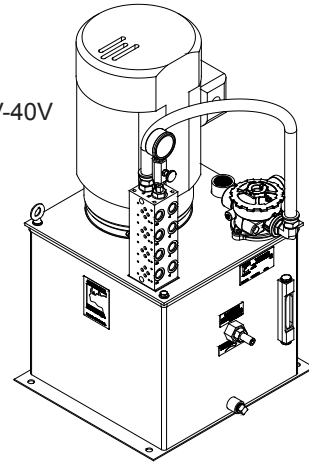
CONTINENTAL



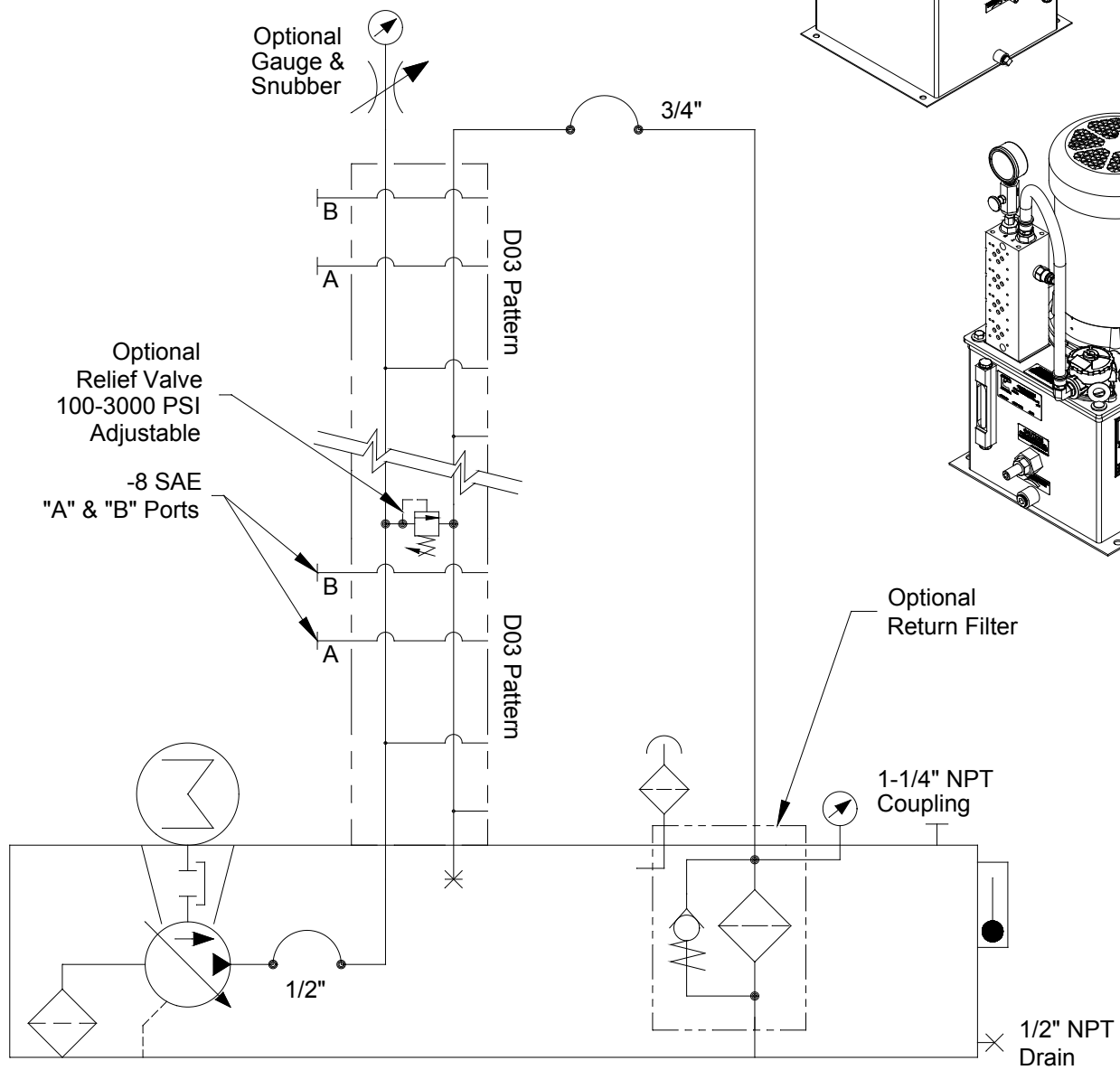
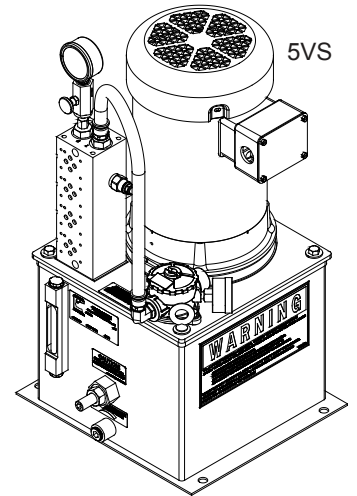
HYDRAULICS.

With Manifold

10V-40V

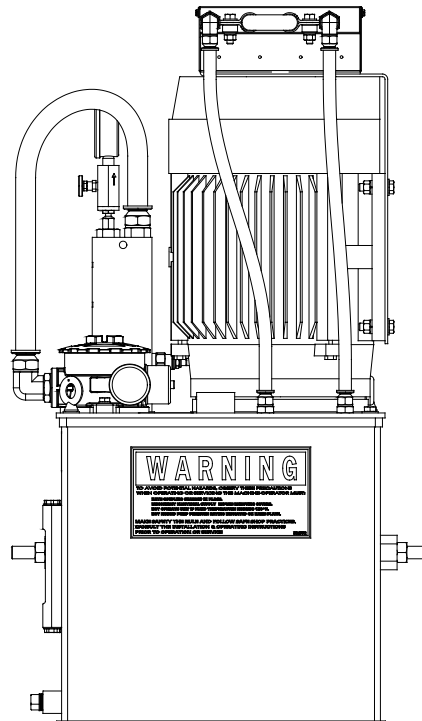
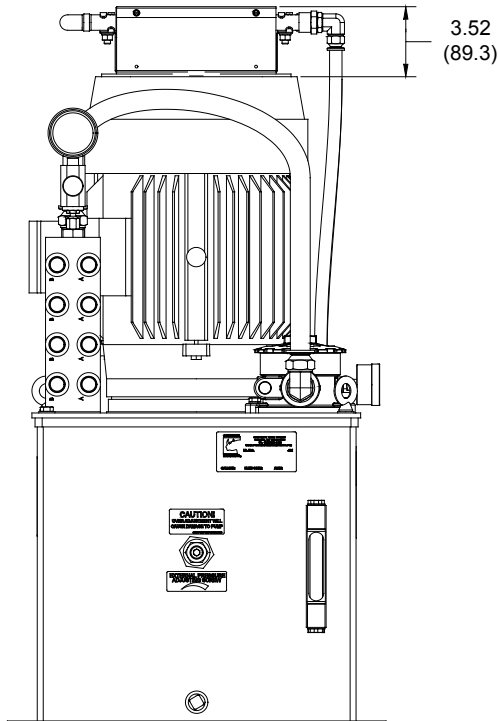
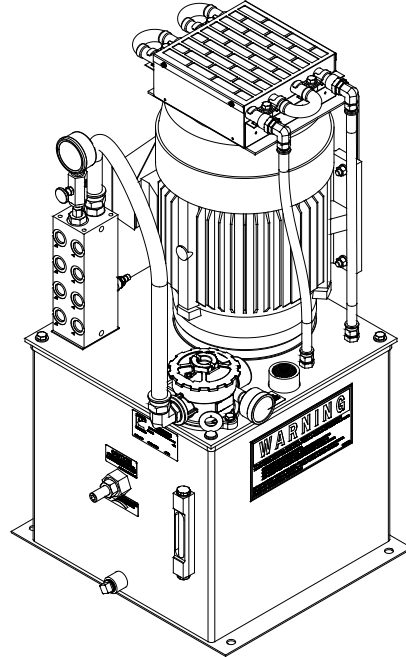
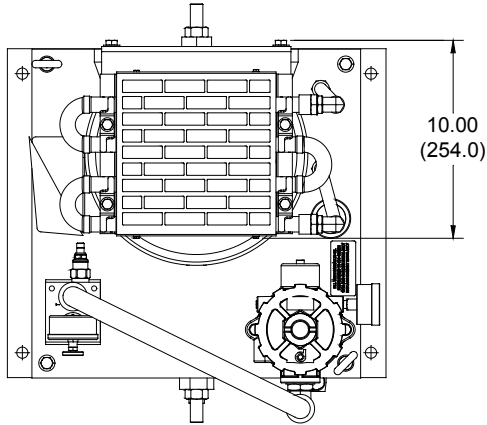


5VS



**Little Champ® Power Units**  
 10 TO 40 GALLON CAPACITY  
 Dimension Drawing - Power Unit With HEA44C

Works ONLY with Vane pumps for case drain cooling.

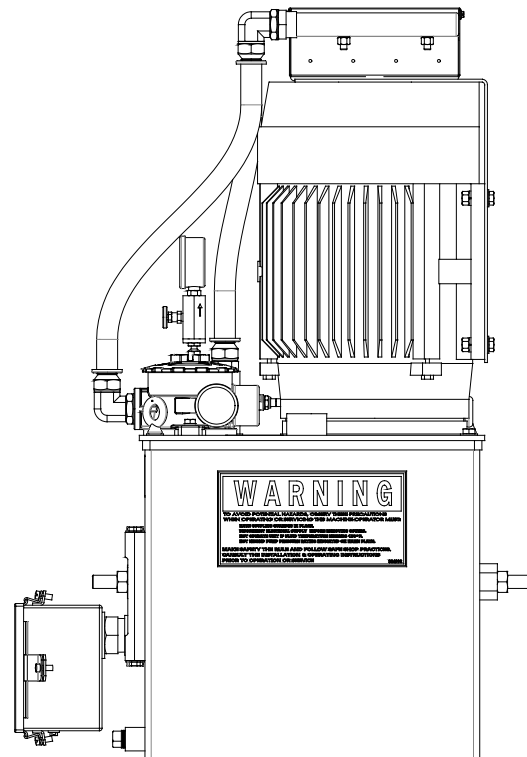
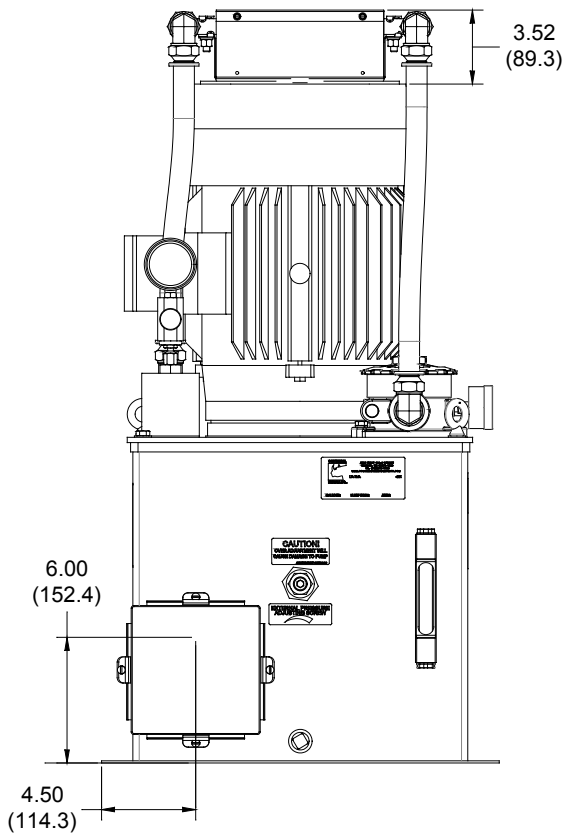
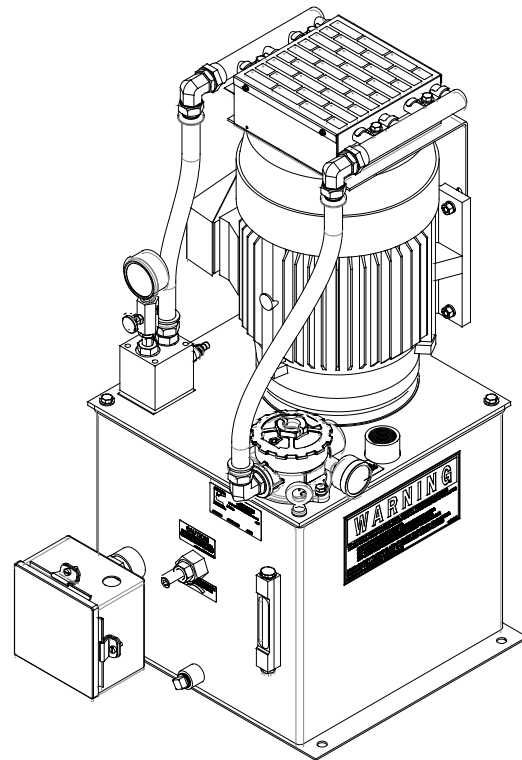
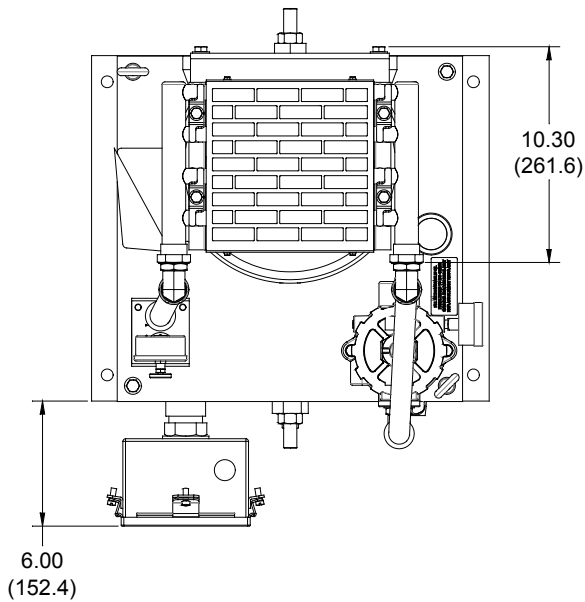


# Little Champ® Power Units

10 TO 40 GALLON CAPACITY

Dimension Drawing - Power Unit With HEA41R & TH

Works with all Vane or Gear pumps & any "P" port, "PR" block or manifold for return oil cooling. Also Tank Heater general location.



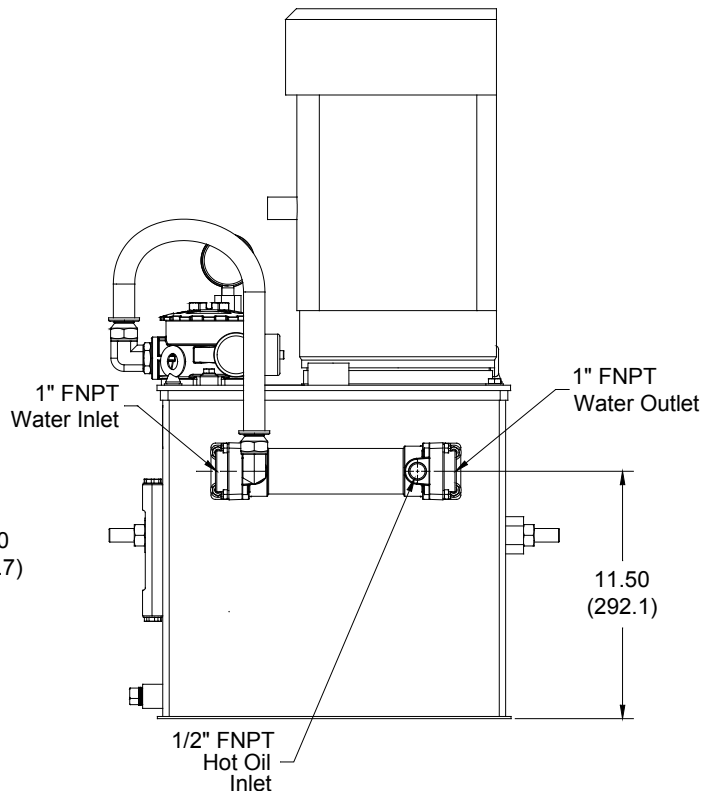
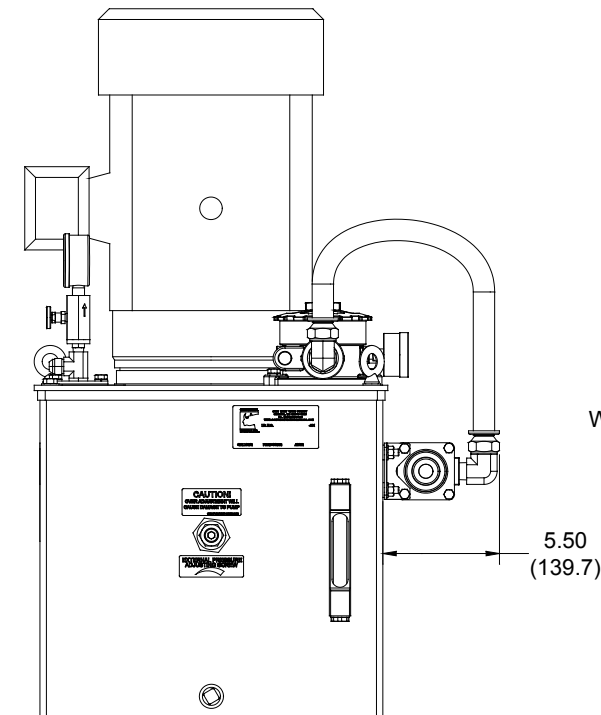
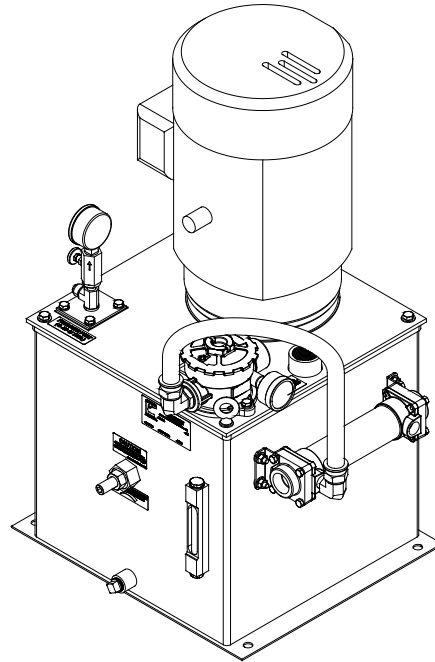
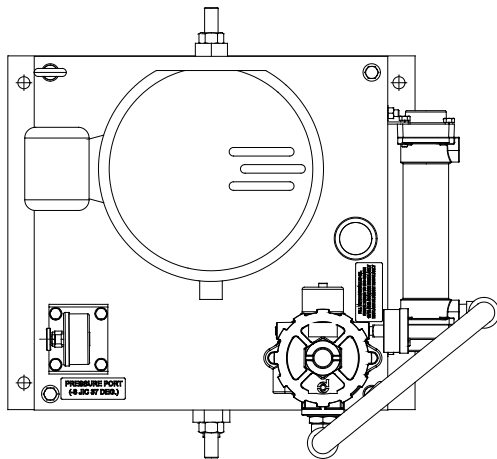
DRAWING #1004202

**Little Champ® Power Units**

10 TO 40 GALLON CAPACITY

Dimension Drawing - Power Unit With HEW11R

Works with all Vane or Gear pumps &  
 any "P" port, "PR" block or manifold for  
 return oil cooling

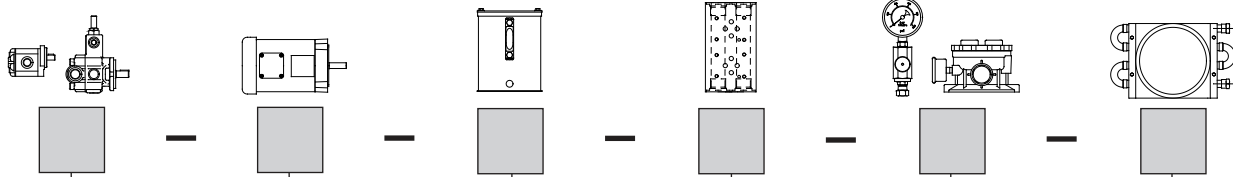


DRAWING #1004206

# Little Champ® Power Units

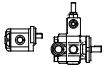
## 5 TO 40 GALLON CAPACITY

### Ordering Information



#### Gear Pump

Code	gpm (lpm) @ 1725 rpm Max. Press.	Max. Pressure psi (bar)
G0.6B30	.545 (2.1)	3000 (207)
G0.8B30	.769 (2.9)	3000 (207)
G1.1B30	1.14 (4.3)	3000 (207)
G1.6B30	1.59 (6.0)	3000 (207)
G2.0B30	1.96 (7.4)	3000 (207)
G2.3B30	2.28 (8.6)	3000 (207)
G3.0B27	2.96 (11.2)	2700 (186)
G3.4B26	3.44 (13.0)	2600 (179)
G2.0B31.5	1.96 (7.4)	3150 (217)
G2.9B31.5	2.87 (10.7)	3150 (217)
G3.8B31.5	3.78 (14.3)	3150 (217)
G5.0B30	5.01 (19.0)	3000 (207)
G6.8B30	6.83 (25.8)	3000 (207)
G8.7B30	8.65 (32.7)	3000 (207)
G10.0B29	10.02 (37.9)	2900 (200)
G11.8B27	11.84 (44.8)	2700 (186)
V4B20	4.00 (15.1)	2000 (138)
V6B20	6.00 (22.7)	2000 (138)
V8B20	8.00 (30.3)	2000 (138)
V8B30	8.00 (30.3)	3000 (207)
V10B10	10.00 (37.8)	1000 (69)



Select gear pump from the Power Unit Accessories Catalog.

**NOTE:** Pump and motor ranges listed for each reservoir size are standard combinations. For special combinations, please discuss your application with your Continental Hydraulics distributor or the factory.

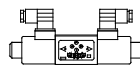
#### Motor

Code	H.P.	Voltage*	Frame Size
005T	0.5	208/230/460/60/3	56C
005S	0.5	115/208/230/60/1	56C
007T	.75	208/230/460/60/3	56C
007S	.75	115/208/230/60/1	56C
010T	1	208/230/460/60/3	56C
010S	1	115/208/230/60/1	56C
015T	1.5	208/230/460/60/3	56C
015S	1.5	115/208/230/60/1	56C
020T	2	208/230/460/60/3	56C
020S	2	115/208/230/60/1	145TC
030T	3	208/230/460/60/3	56C
030S	3	115/208/230/60/1	184TC
050T	5	208/230/460/60/3	184TC
075T	7.5	208/230/460/60/3	213TC
100T	10	208/230/460/60/3	215TC
150T	15	230/460/60/3	254TC
200T	20	230/460/60/3	256TC

\*1800 rpm

#### Pressure Manifold

Code	Description
P	Pressure Connection -8 JIC Male Port
PR	With Built-In Relief SAE-8 "P" & "T" Female Ports
V1R	Single Station Manifold D03 With Built-In Relief, SAE-8 "A" & "B" Female Ports
V2R	Two Station Manifold D03 With Built-In Relief, SAE-8 "A" & "B" Female Ports
V3R	Three Station Manifold D03 With Built-In Relief, SAE-8 "A" & "B" Female Ports
V4R	Four Station Manifold D03 With Built-In Relief, SAE-8 "A" & "B" Female Ports
V5R	Five Station Manifold D03 With Built-In Relief, SAE-8 "A" & "B" Female Ports
V6R	Six Station Manifold D03 With Built-In Relief, SAE-8 "A" & "B" Female Ports



**\*IF YOU WOULD NOT LIKE A RELIEF VALVE IN THE MANIFOLD REMOVE THE "R" FROM THE CODE (V4R MINUS "R" EQUALS V4)**

Select valves as required from the appropriate Continental Hydraulics Catalogs.

For manifold dimensions and specifications, see the Damani Products LC Manifold Catalog.

#### Options

Code	Description
Omit	No Options
G1	Pressure Gauge 0 - 1000 psi
G1.5	Pressure Gauge 0 - 1500 psi
G2	Pressure Gauge 0 - 2000 psi
G3	Pressure Gauge 0 - 3000 psi
G5	Pressure Gauge 0 - 5000 psi
N	Needle Valve SAE-4
FRIC10	In-Tank Return Filter 10 gpm W/Breather, 10 Micron W/Indicator (5VS Reservoir Only)
FRIC14	In-Tank Return Filter 14 gpm W/Breather, 10 Micron W/Indicator
FRIC25	In-Tank Return Filter 25 gpm W/Breather, 10 Micron W/Indicator
EP*	External Pressure Adjustment (Vane Pumps Only)
EV**	External Volume Adjustment (Vane Pumps Only)
CV08	Check Valve Inline SAE-8, 5000 psi (345 bar) Rated
LT	Level/Temperature Switch
TH	Tank Heater 30°-100° F. (-1°-38° C.) Adjustment

\* If "EP" is Not Selected, Specify Pressure Setting.

\*\* Pump Requires Volume Control Code 6 (PVR6-"B"-RF-O-6)

#### Heat Exchanger

Code	Description
Omit	No Cooler Option
HEA44C	Air-to-Oil Cooler HEA44 For Case Drain, SAE-8 (PVR6 Pump Only)
HEA41R	Air-to-Oil Cooler HEA41 For Return Line, SAE-12
HEW11R	Water-to-Oil Cooler HEA11 - Return Line 1/2 NPT Oil Port, 1 NPT Water Port

#### Reservoir

Code	Gallon Size
5VS	5
10V	10
20V	20
30V	30
40V	40

#### Typical Ordering Code

**V6B20-050T-20V-V2-G3N-FRIC14-EP-HEA44C** (Power Unit)  
**VSD03M-3A-GB-60L** (Directional Control Valve - Qty. 2)  
**F03MSV-NDC-AA** (Flow Control Valve - Qty. 2)  
**BD03-250** (Bolt Kit - Qty. 2)



---

## Little Champ® Power Units

---



**Continental Hydraulics Division**

5505 West 123rd Street  
Savage, MN 55378 U.S.A.

Phone: (952) 895-6400 Fax: (952) 895-6444

[www.continentalhydraulics.com](http://www.continentalhydraulics.com)

---

Because Continental Hydraulics is continually improving its products,  
specifications and appearance are subject to change without notice.